

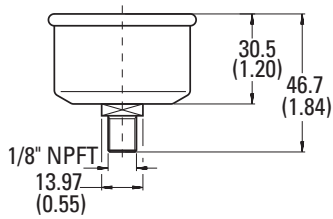
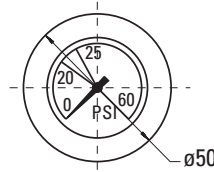
Accessories

Gauge

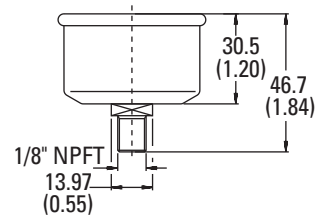
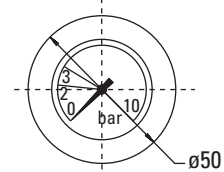
HOUSING	PART NUMBER
HF4RT	3039703 Gauge 0-160 psi (use with 43 psi Bypass Valve)
	3039704 Gauge 0-60 psi (use with 25 psi Bypass Valve)

Note: Gauges indicate pressure in both bar and psi

0-4 Bar (0-60 PSI) Gauge



0-10 Bar (0-160 PSI) Gauge

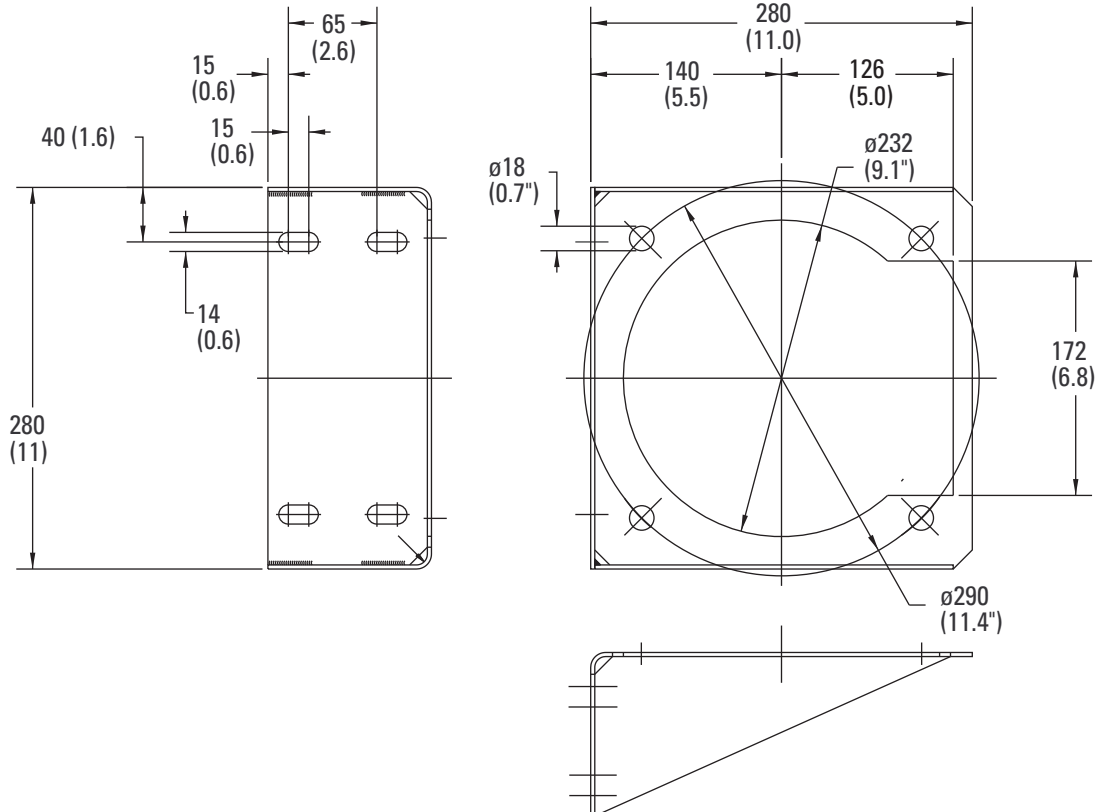


Mounting Bracket

HV6R Housing

mm (inch)

Order part number 3039702

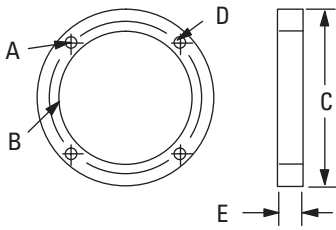


Accessories

Gauge

Weld Flange for HF4RT

Order part number P-232964-1



DIMENSIONS

Housing	A	B	C	D	E
		ø	diameter	length	
HL 15, HL 16 P-232964-01	7/16 - 20 UNF thru (4) on 6.25 dia. BC equally spaced	127,0 (5.00)	181,0 (7.12)	7/16 - 20 UNF x 0.75 Recommended bolts	12,7 (0.50)

Seal Kits

Note

Seal kits include all soft goods to fully service a unit.

SERIES	SEAL TYPE	SEAL KIT PART #
HV6R	Buna-N	3039688
	Viton-A*	3039689
HV3R	Buna-N	3039690
	Viton-A	3039691
HF4RT	Buna-N	3039692
	Viton-A	3039693
HF2P	Buna-N	3039694
	Viton-A	3039695
HF3P	Buna-N	3039696
	Viton-A	3039697
HF3PS	Buna-N	3039698
	Viton-A	3039699
HF4P	Buna-N	3039700
	Viton-A	3039701
OFR60/ 120	Buna-N	590021
	Viton-A	591761 (Bowl seal only)
OFR15/ 30	Buna-N	226214
	Viton-A	262422 (Bowl seal only)

* Viton is a registered trademark of E.I. Dupont