



CP1R*-W

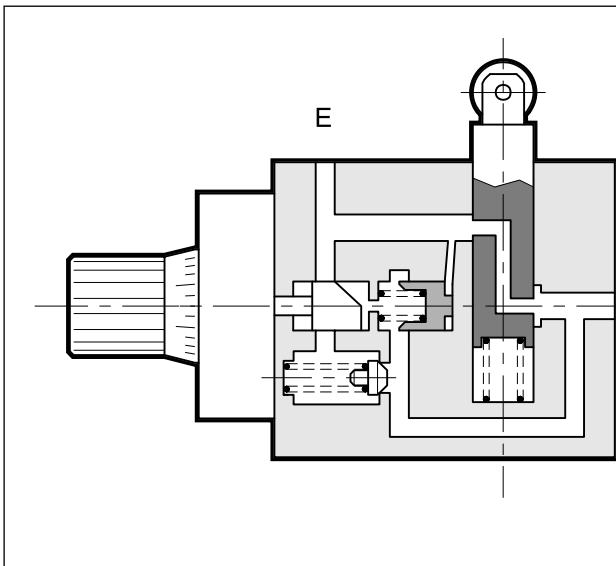
ROLLER OPERATED FAST/SLOW SPEED SELECTION VALVE

SERIES 21

THREADED PORTS

p max 70 bar
Q max 40 l/min

OPERATING PRINCIPLE



- The CP1R*-W valve is used for the selection and control of fast/slow speed of hydraulic axis by mechanical roller operation.
- The slow working speed adjustment is obtained by using a pressure compensated flow control valve.
- The special shape of the control openings allows fine adjustment even with very low flow rates.
- Adjustment of the flow rate is carried out with three turns of the knob that can be locked in any position with a screw.
- It is available in two configurations:
normally open CP1RA,
normally closed CP1RC.
- It is supplied with an incorporated check valve that allows free passage of the reverse flow.

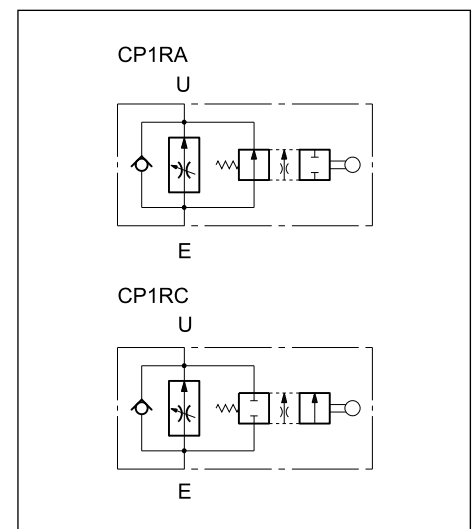
CONFIGURATIONS (see Hydraulic symbols table)

- CP1RA-W: normally open - fast movement with roller in rest position and controlled slow movement with roller in operation.
- CP1RC-W: normally closed - controlled slow movement with roller in rest position and fast movement with roller in operation.

PERFORMANCES (obtained with mineral oil with viscosity of 36 cSt at 50°C)

Maximum operating pressure	bar	70
Fast movement maximum flow rate	l/min	40
Controlled slow movement flow rate	max	l/min 4 - 10 - 16
	min	l/min 0,1
Roller working movement	mm	6
Ambient temperature range	°C	-20 / +50
Fluid temperature range	°C	-20 / +80
Fluid viscosity range	cSt	10 ÷ 400
Fluid contamination degree	According to ISO 4406:1999 class 20/18/15	
Recommended viscosity	cSt	25
Massa	kg	3,2

HYDRAULIC SYMBOLS

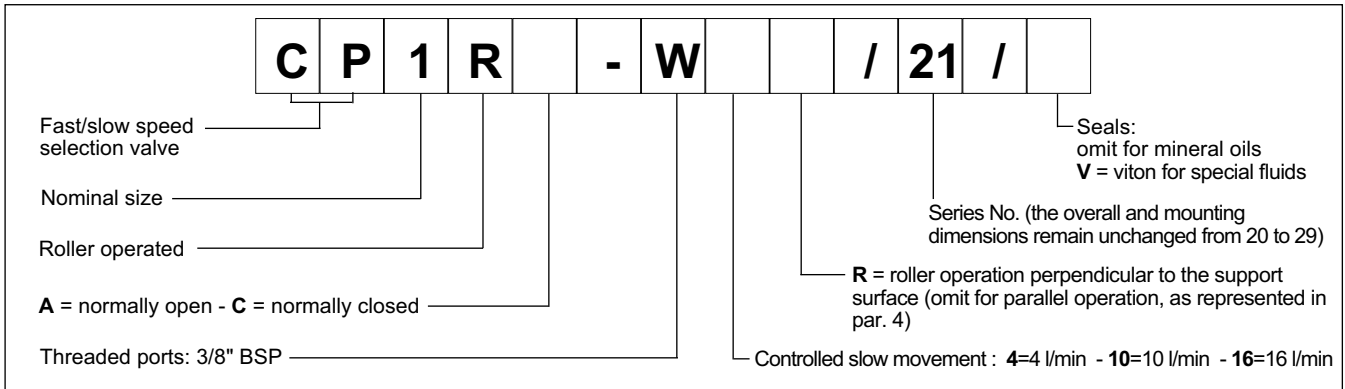




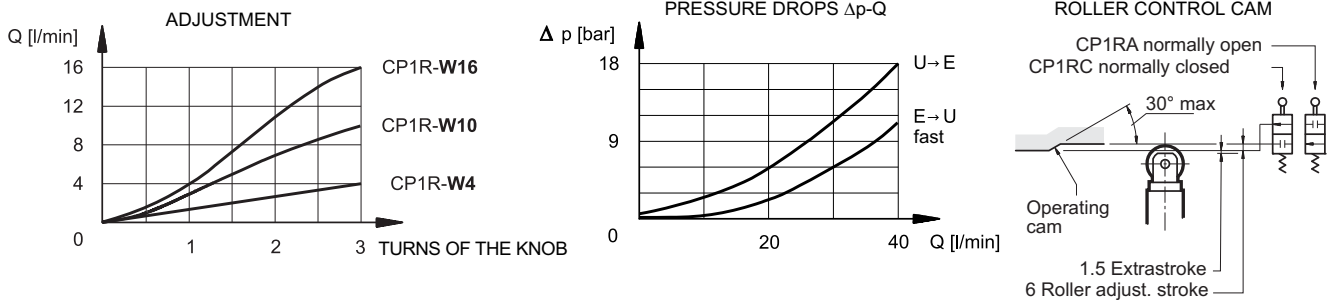
CP1R*-W

SERIES 21

1 - IDENTIFICATION CODE



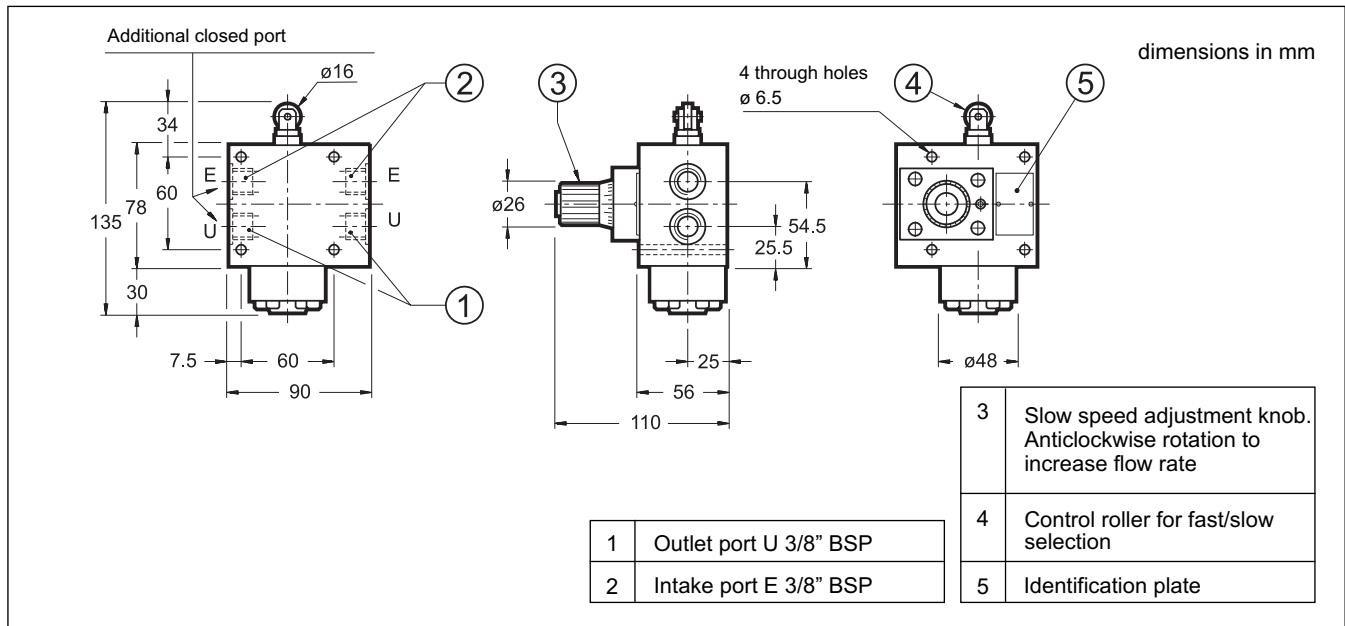
2 - CHARACTERISTIC CURVES (values obtained with viscosity of 36 cSt at 50°C)



3 - HYDRAULIC FLUIDS

Use mineral oil-based hydraulic fluids HL or HM type, according to ISO 6743-4. For these fluids, use NBR seals. For fluids HFDR type (phosphate esters) use FPM seals (code V). For the use of other kinds of fluid such as HFA, HFB, HFC, please consult our technical department. Using fluids at temperatures higher than 80 °C causes a faster degradation of the fluid and of the seals characteristics. The fluid must be preserved in its physical and chemical characteristics.

4 - OVERALL AND MOUNTING DIMENSIONS



DIPLOMATICO OLEODINAMICA S.p.A.
 20015 PARABIAGO (MI) • Via M. Re Depaolini 24
 Tel. +39 0331.895.111
 Fax +39 0331.895.339
 www.diplomatic.com • e-mail: sales.exp@diplomatic.com