

**General Description**

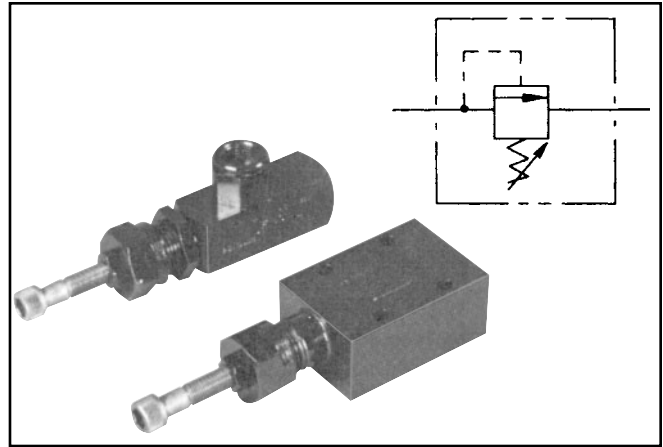
Series RA and RAS direct operated relief valves are often used for pop-off protection against overpressure on systems where normal overpressures are relieved by other relief valves such as Series RP and RM types.

**Features**

- Available in two sizes: 3/8" and 3/4".
- In-line or subplate mounted, in any position.
- Panel mounting nut provided with each Series RA valve.

**Specifications**

<b>Pressure Adjustment Ranges</b>	Min. - 17 Bar ( Minimum - 250 PSI) 17 - 35 Bar (250 - 500 PSI) 35 - 70 Bar (500 - 1000 PSI) 70 - 140 Bar (100 - 2000 PSI)
<b>Maximum Operating Pressure</b>	210 Bar (3000 PSI)



**Flow Data**

Valve Model	Port Size, In.	Flow, Max. GPM (L/M)	Mounting
RA600S	3/8-NPTF	8 (30)	Inline
RA(S)600S	3/8-NPTF subplate port	8 (30)	Subplate
RA1200S	3/4-NPTF	20 (76)	Inline

**Ordering Information**

Example: "RA600S3" means Model RA Direct-operated, Pressure-control relief valve, inline model, 3/8", steel, 500-1000 PSI pressure range.

**Bolt Kits**

Model	Bolt Kit No.	Bolts	Torque
RAS 600S	BK04	1/4-20 x 1-3/4 SAE grade 8 or better	13 Ft. Lb.

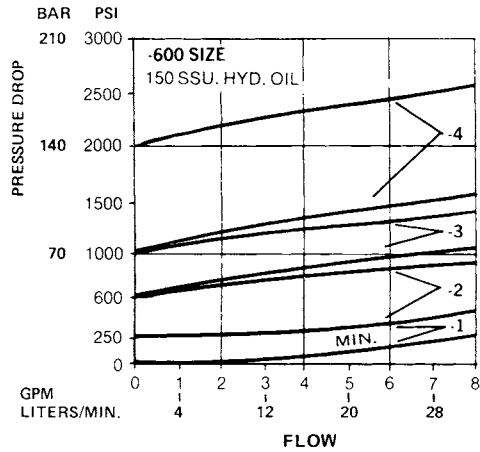
<b>RA</b>			<b>S</b>		
<b>RELIEF VALVE</b>	<b>MOUNTING</b>	<b>SIZE</b>	<b>MATERIAL</b>	<b>PRESSURE RANGE</b>	<b>SEALS</b>
Omit S	Inline (NPTF) Subplate	600 1200*	S Steel	1 2 3 4	Omit Nitrile V Fluorocarbon
		3/8" 3/4"		Min. to 250 PSI 250 to 500 PSI 500 to 1000 PSI 1000 to 2000 PSI	

\*Inline only

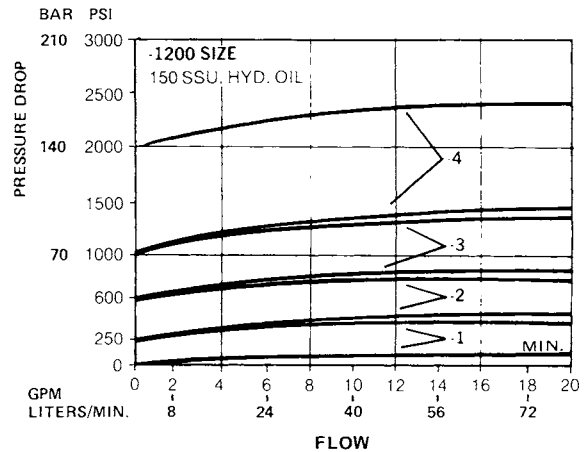


**Performance Curves**

All relief valves are subject to override. For a given valve setting and flow, any change in flow will cause a change in relief pressure. See curves (relief pressure vs: flow).



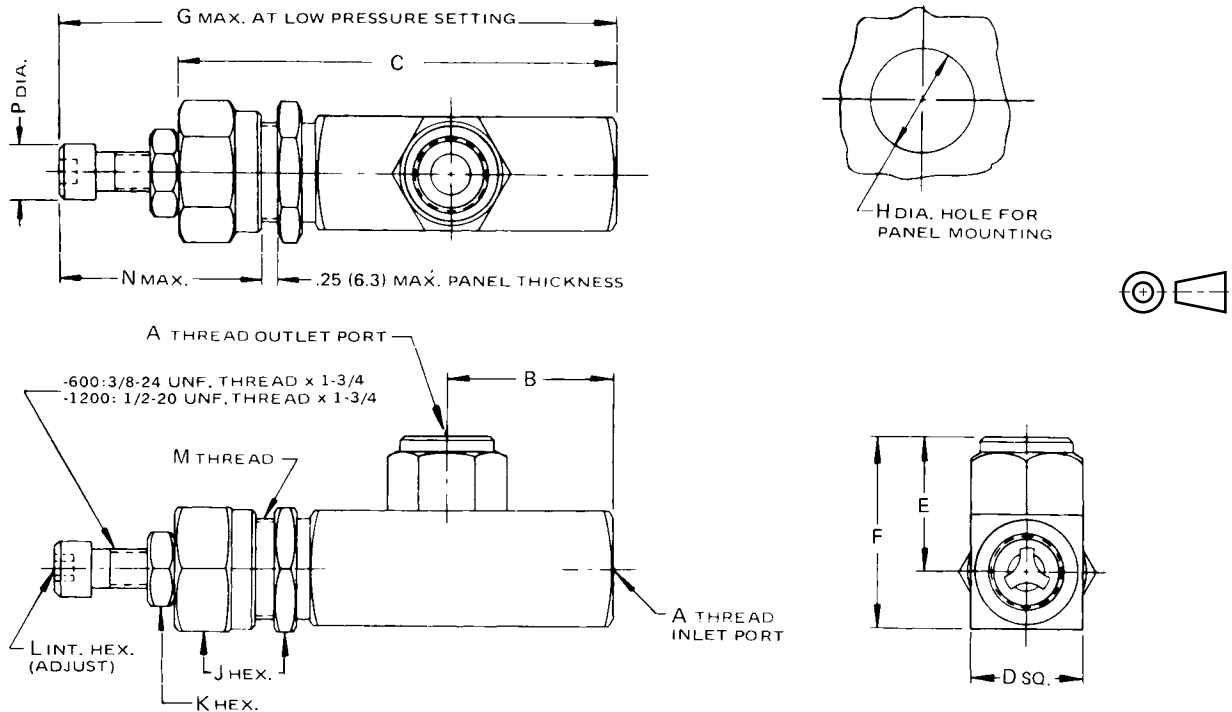
FLOW  
 OVERRIDE CURVES  
 MODELS RA600S and RA(S)600S



FLOW  
 OVERRIDE CURVES  
 MODEL RA1200S

**Dimensions**

Millimeter equivalents for inch dimensions are shown in (\*\*)



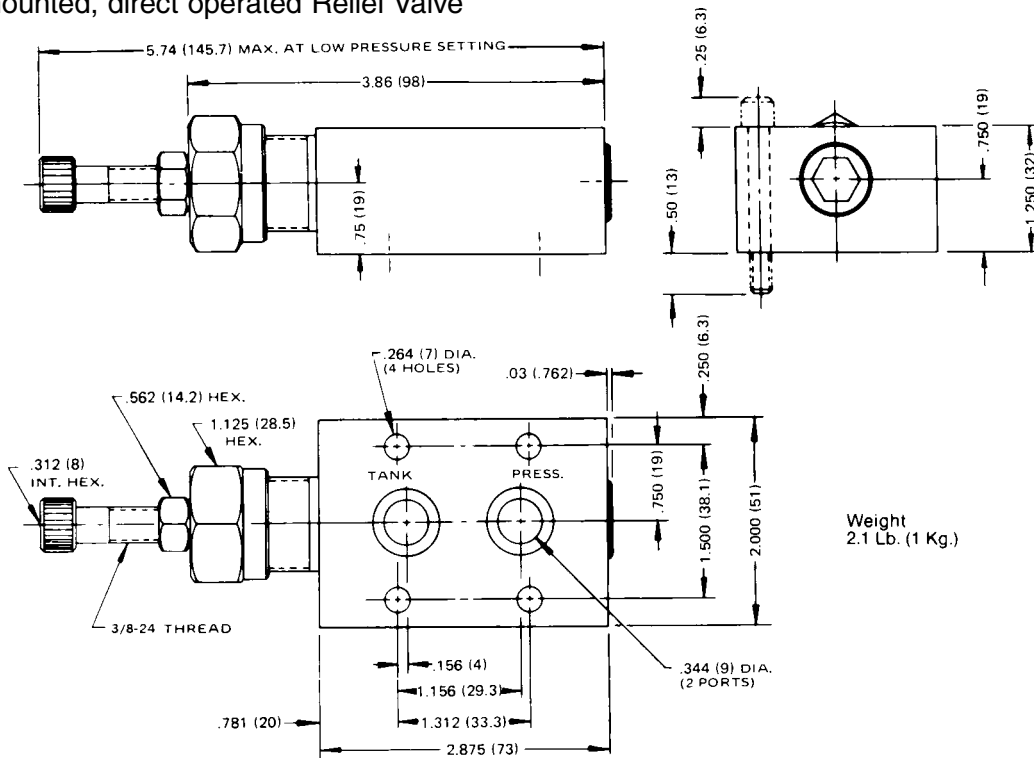
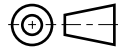
VALVE MODEL	A THREAD NPFT	B	C	D	E	F	G	H	J	K	L	M THREAD	N	WEIGHT Lb. (Kg.)	
RA600S	3/8-18	1.67 (42.4)	4.25 (108)	1.00 (25.4)	1.25 (32)	1.75 (44.4)	5.62 (142.7)	.906 (23)	1.125 (28.5)	.562 (14.2)	.312 (8)	7/8-14 UNF THREAD	2.12 (53.8)	.56 (14.2)	1.2 (0.5)
RA1200S	3/4-14	2.22 (56.3)	5.91 (150.1)	1.50 (38.1)	1.75 (44.4)	2.50 (63.5)	7.25 (184.1)	1.344 (34.1)	1.625 (41.2)	.75 (19)	.375 (9.5)	1-5/16-12 UNF THREAD	2.44 (61.9)	.75 (19)	3.2 (1.5)

2502-H1.p65, dd

Millimeter equivalents for inch dimensions are shown in (\*\*)

**RAS600S**

Subplate mounted, direct operated Relief Valve



**Subplate Dimensions**

Reference Data Only  
(Subplates are not available)

