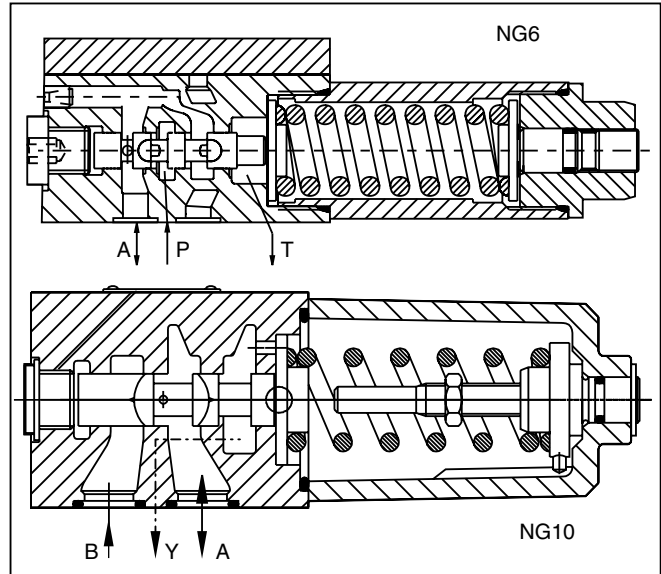
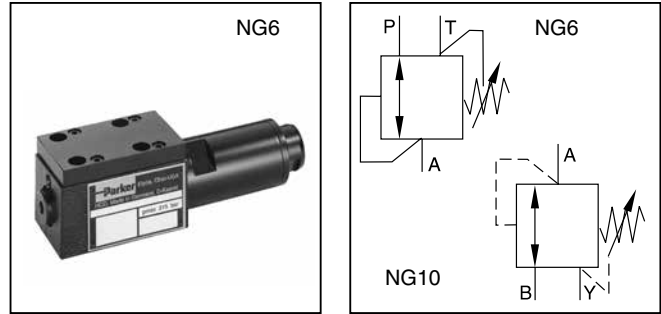


### General Description

Series VM direct operated, pressure reducing valve with manual adjustment. Series VM is a direct-controlled, spring loaded 3-way pressure reducing valve, that is open in neutral position. The valve closes the connection from P to A (NG6) or B to A (NG10) when the pre-set pressure is exceeded.

If the pressure increases due to an external influence in connection A, the spool moves and opens the connection from A to T (NG6) or A to Y (NG10) until the pre-set pressure is reached.



### Features

- Spool type valve.
- Manifold mounting acc. to ISO 5871.
- 5 pressure ranges at NG6.
- 3 pressure ranges at NG10.
- 2 adjustment modes.

### Ordering Information

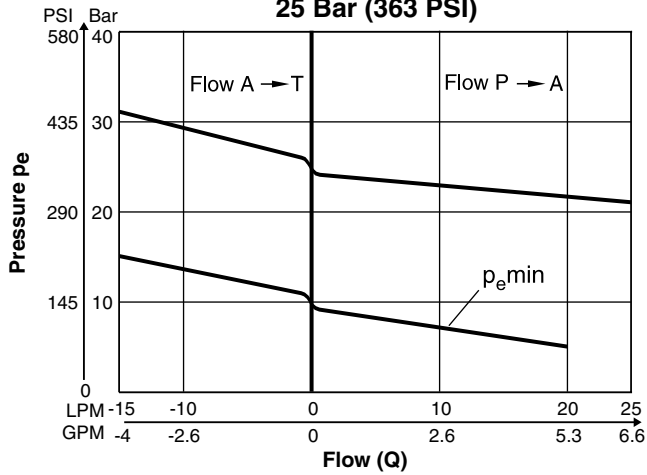
<div style="border: 1px solid black; padding: 2px; width: 30px; height: 30px; margin: 0 auto; display: flex; align-items: center; justify-content: center; font-weight: bold;">V</div> <p>Pressure Reducing Valve</p>	<div style="border: 1px solid black; padding: 2px; width: 30px; height: 30px; margin: 0 auto; display: flex; align-items: center; justify-content: center; font-weight: bold;">M</div> <p>Maximum Pressure Setting</p>	<div style="border: 1px solid black; padding: 2px; width: 30px; height: 30px; margin: 0 auto; display: flex; align-items: center; justify-content: center; font-weight: bold;">A</div> <p>Adjustment Screw with Hexagon Socket</p>	<div style="border: 1px solid black; padding: 2px; width: 30px; height: 30px; margin: 0 auto; display: flex; align-items: center; justify-content: center; font-weight: bold;">V</div> <p>Seal Fluorocarbon</p>	<div style="border: 1px solid black; padding: 2px; width: 30px; height: 30px; margin: 0 auto; display: flex; align-items: center; justify-content: center; font-weight: bold;">G</div> <p>Gage Port</p>	<div style="border: 1px solid black; padding: 2px; width: 30px; height: 30px; margin: 0 auto; display: flex; align-items: center; justify-content: center; font-weight: bold;">L</div> <p>Lock</p>	<div style="border: 1px dashed black; padding: 2px; width: 30px; height: 30px; margin: 0 auto; display: flex; align-items: center; justify-content: center; font-weight: bold;">S</div> <p>Design Series NOTE: Not required when ordering.</p>																																
<table border="1" style="width: 100%; border-collapse: collapse;"> <thead> <tr> <th>Code</th> <th>Description</th> </tr> </thead> <tbody> <tr> <td>025<sup>1)</sup></td> <td>25 Bar (363 PSI)</td> </tr> <tr> <td>064</td> <td>64 Bar (928 PSI)</td> </tr> <tr> <td>125<sup>2)</sup></td> <td>125 Bar (1813 PSI)</td> </tr> <tr> <td>160<sup>1)</sup></td> <td>160 Bar (2320 PSI)</td> </tr> <tr> <td>210</td> <td>210 Bar (3045 PSI)</td> </tr> <tr> <td>350<sup>1)</sup></td> <td>350 Bar (5075 PSI)</td> </tr> </tbody> </table> <p><sup>1)</sup> NG6 only <sup>2)</sup> NG10 only</p>		Code	Description	025 <sup>1)</sup>	25 Bar (363 PSI)	064	64 Bar (928 PSI)	125 <sup>2)</sup>	125 Bar (1813 PSI)	160 <sup>1)</sup>	160 Bar (2320 PSI)	210	210 Bar (3045 PSI)	350 <sup>1)</sup>	350 Bar (5075 PSI)	<table border="1" style="width: 100%; border-collapse: collapse;"> <thead> <tr> <th>Code</th> <th>Description</th> </tr> </thead> <tbody> <tr> <td>06</td> <td>NG6</td> </tr> <tr> <td>10</td> <td>NG10</td> </tr> </tbody> </table>		Code	Description	06	NG6	10	NG10	<table border="1" style="width: 100%; border-collapse: collapse;"> <thead> <tr> <th>Code</th> <th>Description</th> </tr> </thead> <tbody> <tr> <td>G<sup>1)</sup></td> <td>1/4" BSPP</td> </tr> <tr> <td>M</td> <td>M18x1.5<sup>2)</sup> M12x1.5<sup>1)</sup></td> </tr> </tbody> </table> <p><sup>1)</sup> NG6 only <sup>2)</sup> NG10 only</p>		Code	Description	G <sup>1)</sup>	1/4" BSPP	M	M18x1.5 <sup>2)</sup> M12x1.5 <sup>1)</sup>	<table border="1" style="width: 100%; border-collapse: collapse;"> <thead> <tr> <th>Code</th> <th>Description</th> </tr> </thead> <tbody> <tr> <td>Omit</td> <td>No Lock</td> </tr> <tr> <td>Z</td> <td>Cylinder Lock</td> </tr> </tbody> </table>	Code	Description	Omit	No Lock	Z	Cylinder Lock
Code	Description																																					
025 <sup>1)</sup>	25 Bar (363 PSI)																																					
064	64 Bar (928 PSI)																																					
125 <sup>2)</sup>	125 Bar (1813 PSI)																																					
160 <sup>1)</sup>	160 Bar (2320 PSI)																																					
210	210 Bar (3045 PSI)																																					
350 <sup>1)</sup>	350 Bar (5075 PSI)																																					
Code	Description																																					
06	NG6																																					
10	NG10																																					
Code	Description																																					
G <sup>1)</sup>	1/4" BSPP																																					
M	M18x1.5 <sup>2)</sup> M12x1.5 <sup>1)</sup>																																					
Code	Description																																					
Omit	No Lock																																					
Z	Cylinder Lock																																					

**Weight:**  
 VM\*A06 1.3 kg (2.9 lbs.)  
 VM\*A10 3.7 kg (8.2 lbs.)

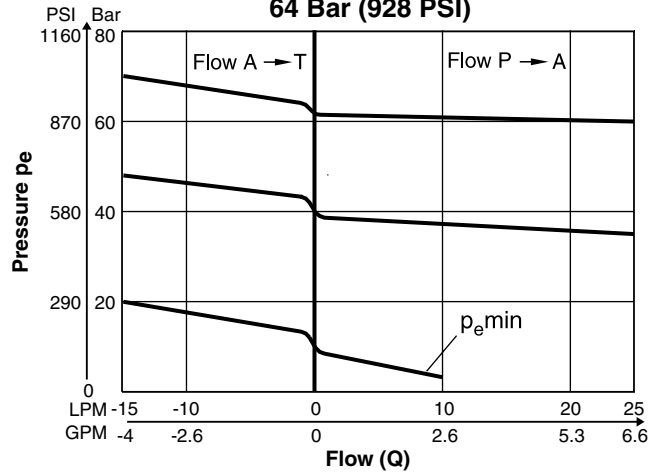
General		
Size	NG6	NG10
Interface	Subplate mounting acc. ISO 5781	
Mounting Position	Unrestricted	
Ambient Temperature	-20°C to +70° (-4°F to +158°F)	
Hydraulic		
Working Pressure	Ports P and A 350 Bar (5075 PSI) Port T depressurized	Ports A and B 210 Bar (3045 PSI) Port Y depressurized
Pressure Range	25, 64, 160, 210, 350 Bar (363, 928, 2320, 3045, 5075 PSI)	64, 125, 210 Bar (928, 1813, 3045 PSI)
Nominal Flow	25 LPM (6.6 GPM)	60 LPM (15.9 GPM)
Pressure Fluid	Hydraulic oil according to DIN 51524 ... 525	
Viscosity Recommended Maximum	30 to 50 cSt / mm <sup>2</sup> /s (139 to 232 SSU) 20 to 380 cSt / mm <sup>2</sup> /s (93 to 1761 SSU)	
Pressure Fluid Temperature Recommended Permitted	+30°C to +50°C (+86°F to +122°F) -20°C to +70° (-4°F to +158°F)	
Filtration	ISO 4406 (1999), 18/16/13	

**VM\*06**

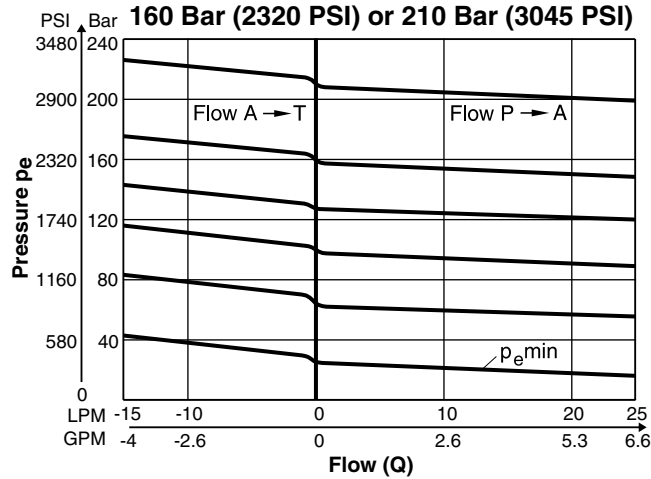
**Maximum Pressure Setting  
 25 Bar (363 PSI)**



**Maximum Pressure Setting  
 64 Bar (928 PSI)**

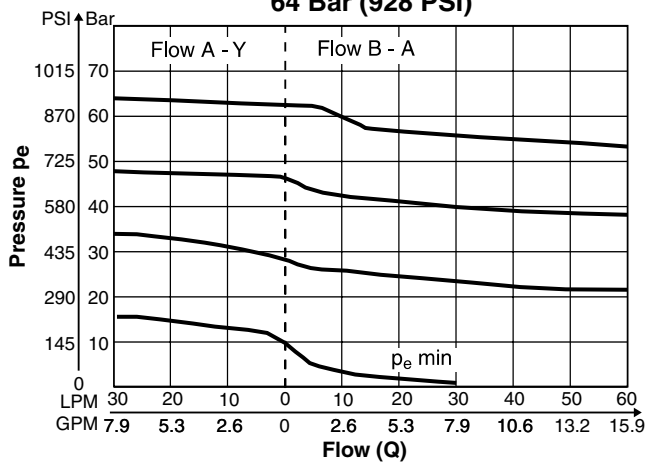


**Maximum Pressure Setting  
 160 Bar (2320 PSI) or 210 Bar (3045 PSI)**

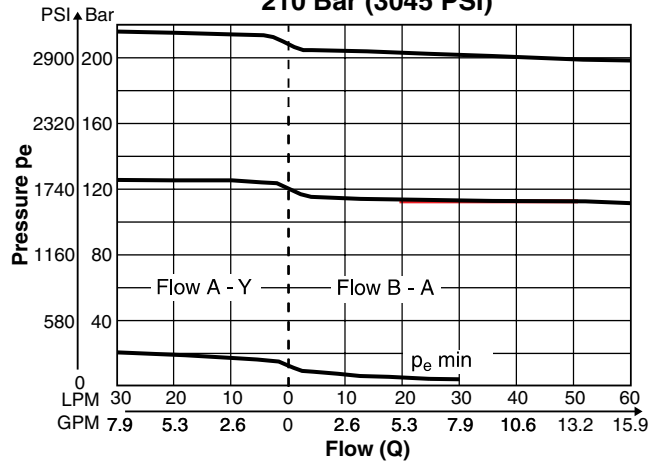


**VM\*10**

**Maximum Pressure Setting  
 64 Bar (928 PSI)**



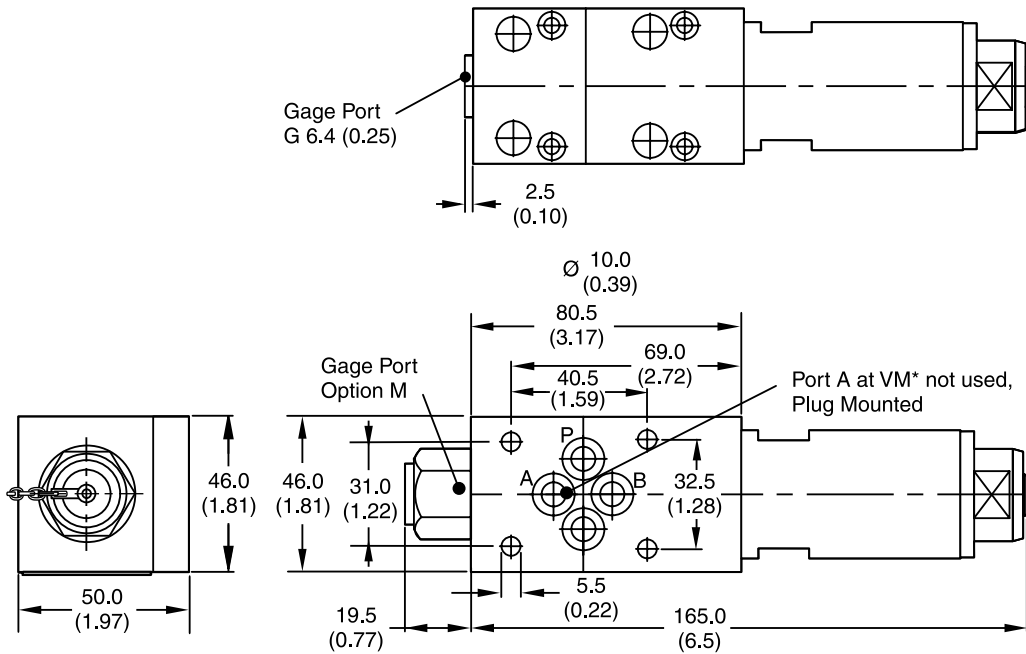
**Maximum Pressure Setting  
 210 Bar (3045 PSI)**



VM.indd, dd

**VM\*06**

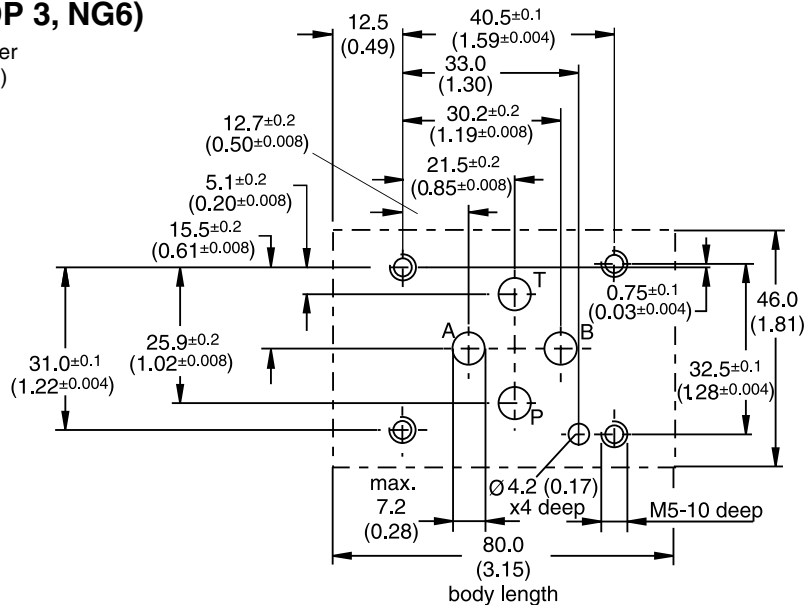
Inch equivalents for millimeter dimensions are shown in (\*\*)



<b>Surface Finish</b>	<b>Bolt Kit</b> <b>DIN912 12.9</b>		<b>Seal Kit</b> <b>Fluorocarbon</b>
	BK375 4x M5x30	8.1 Nm (6.0 lb.-ft.)	SK-VB/VM/VS-V

**Mounting Pattern ISO 5871-03-04-0-00  
(NFPA D03, CETOP 3, NG6)**

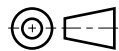
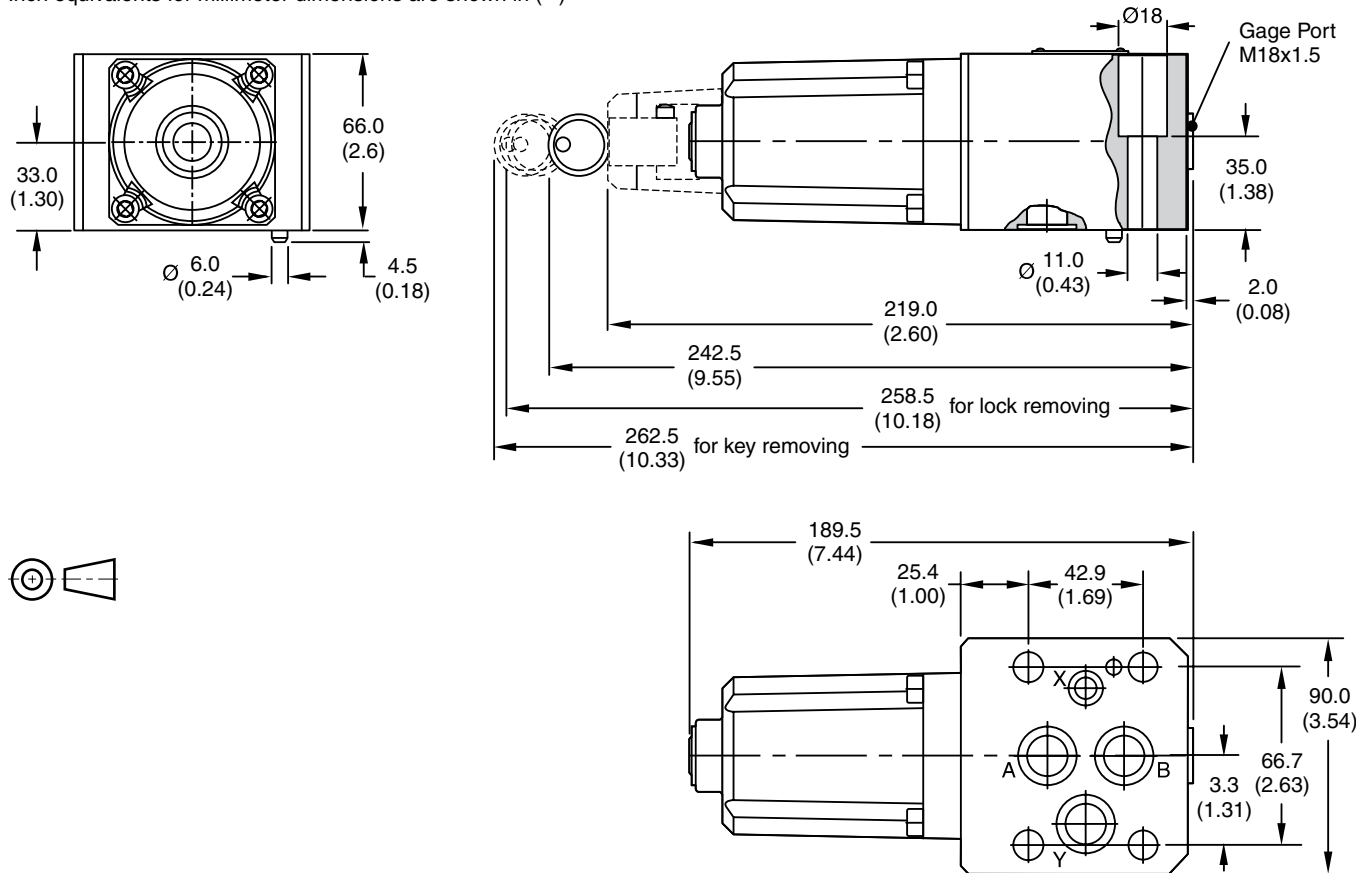
Inch equivalents for millimeter dimensions are shown in (\*\*)



VM.indd, dd

**VM\*10**

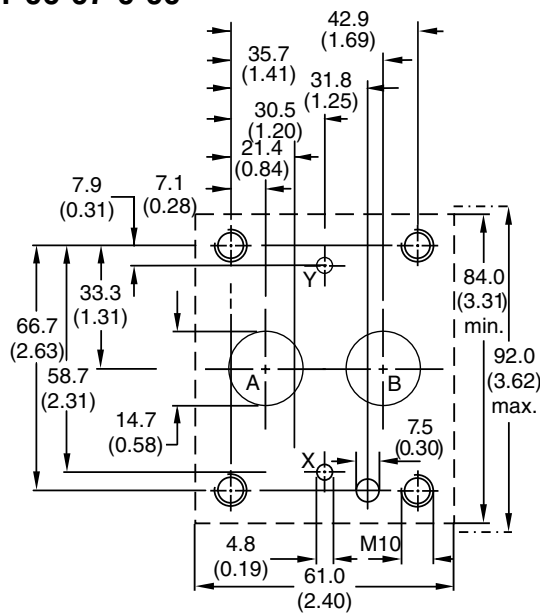
Inch equivalents for millimeter dimensions are shown in (\*\*)



<b>Surface Finish</b>	<b>Bolt Kit</b> <b>DIN912 12.9</b>		<b>Seal Kit</b> <b>Fluorocarbon</b>
	BK389 4x M10x50	65 Nm (47.9 lb.-ft.)	SK-VB/VM-A10V

**Mounting Pattern ISO 5871-06-07-0-00**

Inch equivalents for millimeter dimensions are shown in (\*\*)



Subplate	Size
SPP3M6B910	A, B = 3/4" BSPP x, y = 1/4" BSPP

