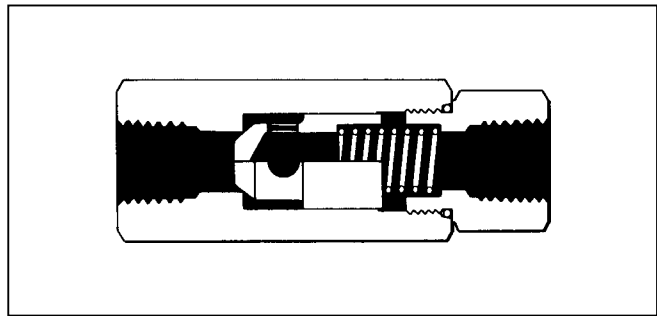
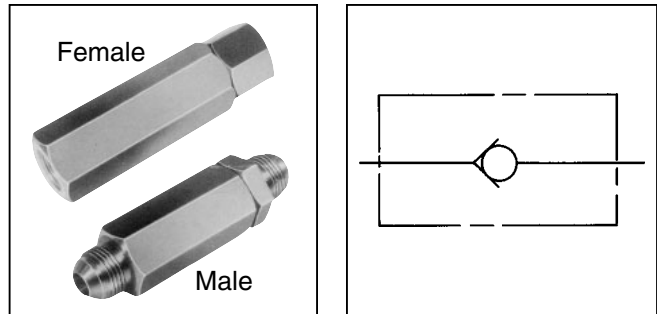


General Description

Series CLS inline check valves are designed to provide free flow in one direction and a positive check in the opposite direction. They are available with a variety of port types and sizes and may be mounted in any position.

Specifications

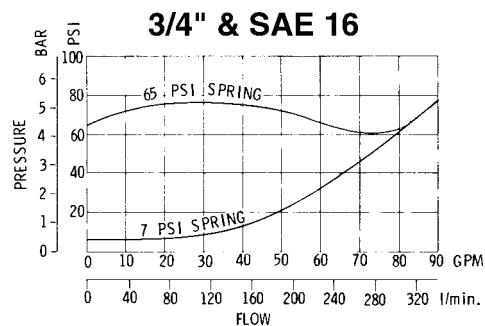
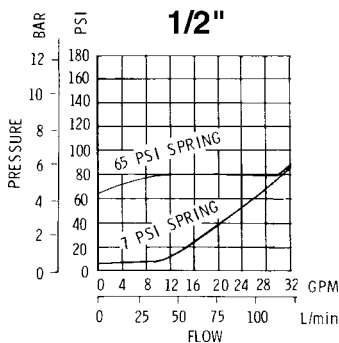
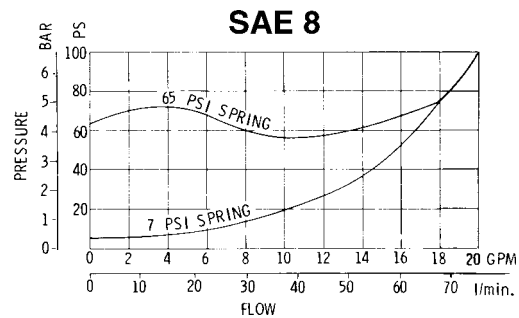
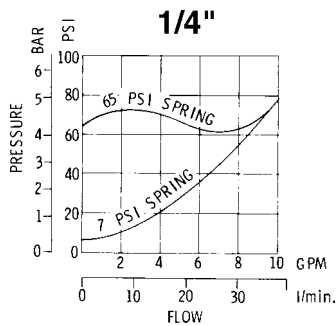
Maximum Operating Pressure	207 Bar (3000 PSI)
Flow Rating	Consult pressure drop data
Fluid Recommended	Premium grade hydraulic fluid with viscosity of 10cSt (60 SUS) to 216 cSt (1000 SUS) at operating temperature.
Operating Temperature	Under normal conditions of continuous operation, fluid temperature should not exceed -82°C (180° F). In no instance should the temperature exceed 93°C (200°F).
Material	All steel
Mounting	Not restricted



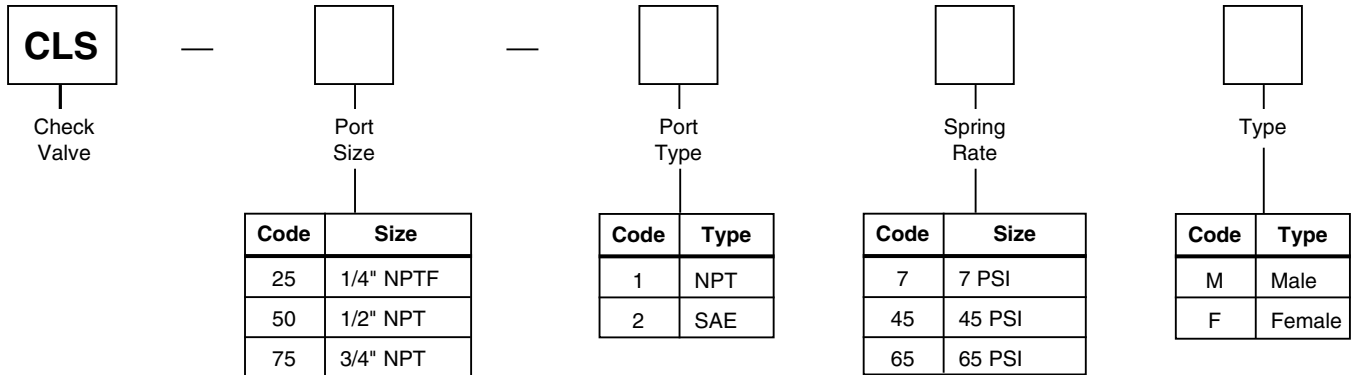
Features

- Up to 3000 PSI (207 Bar)
- 1/4", 1/2", 3/4" NPTF
- #8, #12, #16 SAE

Performance Curves



Ordering Information



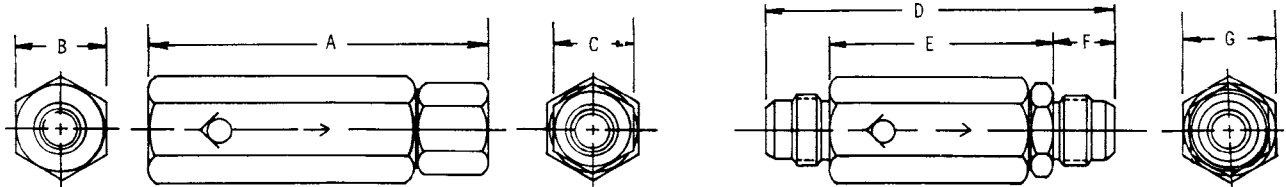
NOTE: NPT ports not available on Male type valves.

Weight (approx.)

1/4"	0.50 lbs. [0,23 kg]
1/2"	1.00 lbs. [0,45 kg]
3/4"	2.88 lbs. [1,30 kg]
SAE 8	1.00 lbs. [0,45 kg]
SAE 12	2.80 lbs. [1,27 kg]
SAE 16	3.00 lbs. [1,36 kg]

Dimensions

Millimeter equivalents for inch dimensions are shown in (**)



VALVE SIZE NPT & FEMALE SAE	A	B	C
1/4"	3.30 (83.8)	0.88 (22.3)	0.75 (19.1)
SAE 8	3.66 (92.9)	1.00 (25.4)	0.88 (22.3)
1/2" & SAE 10	4.50 (114.3)	1.38 (35.0)	1.25 (31.7)
3/4" & SAE 12	5.22 (132.6)	1.75 (44.4)	1.50 (38.1)

VALVE SIZE MALE TUBE	D	E	F	G
SAE 12	5.30 (134.6)	3.58 (90.9)	0.86 (21.8)	1.75 (44.4)
SAE 16	5.36 (136.1)	3.54 (89.9)	0.91 (23.1)	1.75 (44.4)

