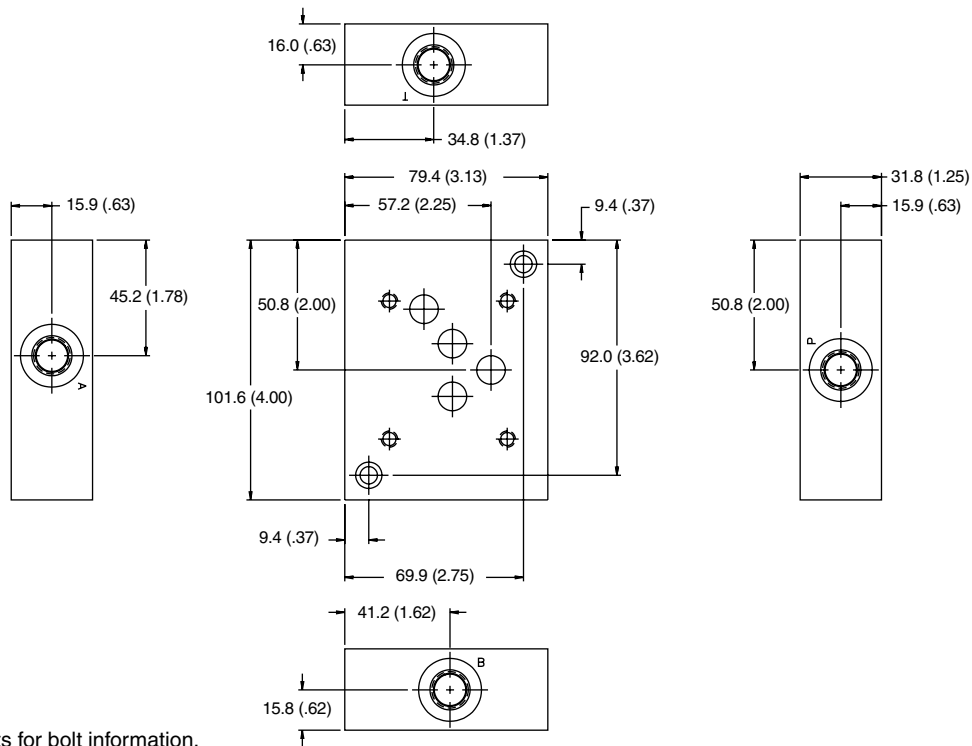
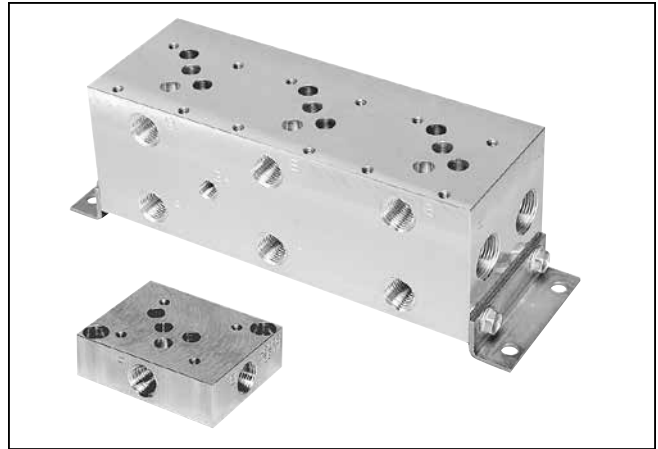


**Features**

- **Aluminum or steel available** — Flexibility for applying to different system pressures.
- **NPT and SAE thread options available** — Flexibility to plumb into existing systems.
- **Multiple port sizes available** — Eliminates need for reducers and expander at subplate connection.

**Side Ported Subplate — NFPA D05**

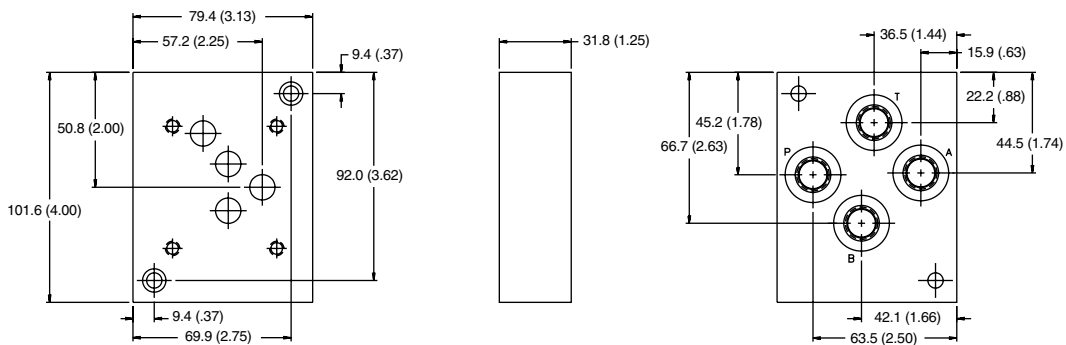
Inch equivalents for millimeter dimensions are shown in (\*\*)



See Mounting Bolt Kits for bolt information.

**Bottom Ported Subplate — NFPA D05**

Inch equivalents for millimeter dimensions are shown in (\*\*)



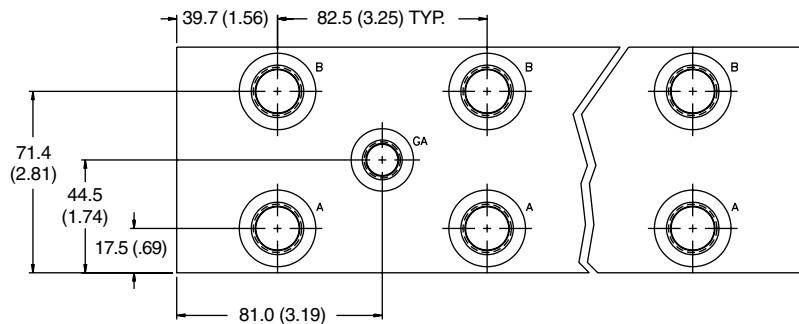
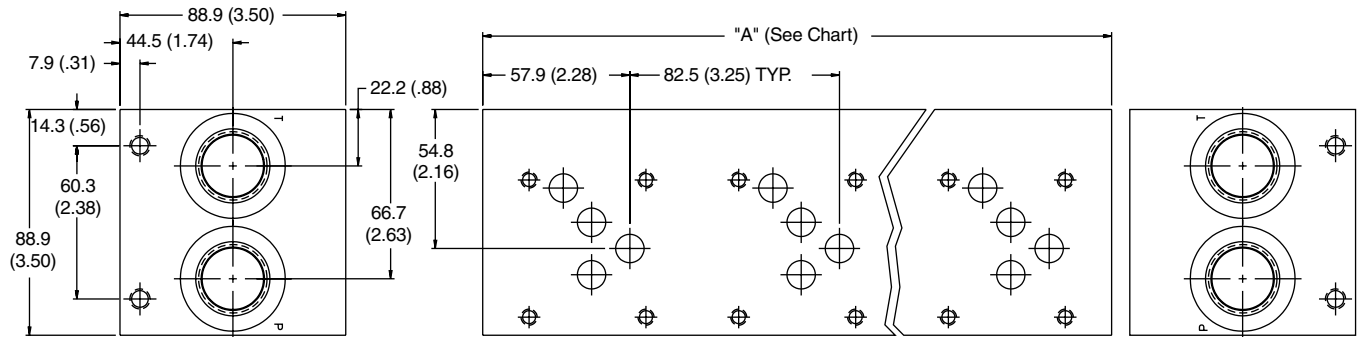
See Mounting Bolt Kits for bolt information.

Subplate-Manifold.indd, dd

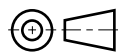
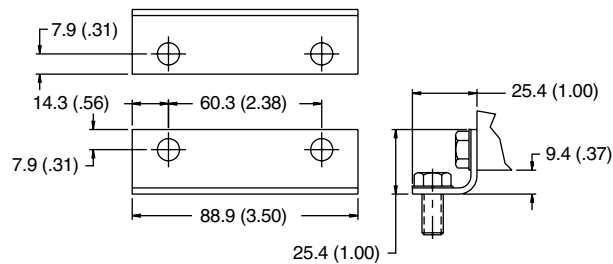
**Series D3A, D3DW, D3L and D3W**

**Manifold — NFPA D05**

Inch equivalents for millimeter dimensions are shown in (\*\*)



Note: Gage port not available on single station manifold.



**Mounting Hardware**  
(See Ordering Information for Mounting Hardware details)

No. Stations	1	2	3	4	5	6
"A" Length, mm (in)	82.6 (3.25)	165.1 (6.50)	247.7 (9.75)	330.2 (13.00)	412.8 (16.25)	495.3 (19.50)
Weight, Alum. kg (lbs.)	1.8 (4)	3.6 (8)	5.0 (11)	6.4 (14)	7.9 (17)	9.6 (21)
Weight, Iron kg (lbs.)	4.1 (9)	7.7 (17)	11.8 (26)	15.4 (34)	20.1 (43)	23.3 (51)

See Mounting Bolt Kits for bolt information.