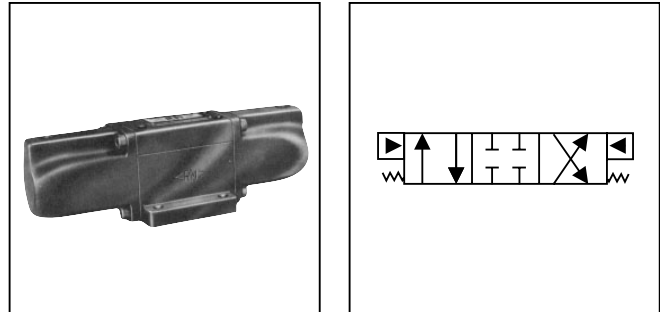


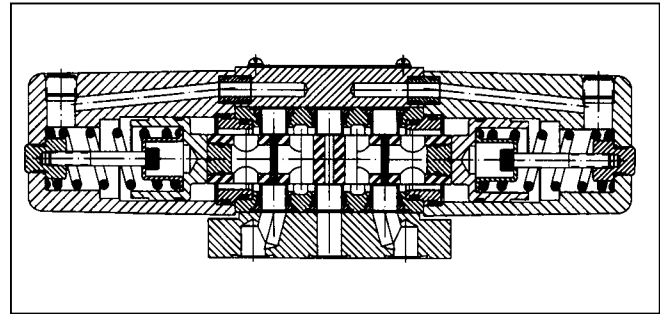
General Description

Series 23100, 23200, and 23300 Exectrol directional control valves are pilot operated 4-way control valves. A slide and balanced seals are used which provides near zero leakage. The valves have a high tolerance to media contamination as each movement of the slide wipes the sealing surfaces clean which in turn results in long service life.



Features

- Shear-type positive seal.
- Zero leakage (8 drops per min. maximum).
- Ideal for water soluble systems (95-5).
- Pressures up to 414 Bar (6000 PSI).
- Long life, easy maintenance.
- Standard valves are interflow.
- No packing to wear or cut.
- High tolerance to contamination.
- High tolerance to silting.
- Mounts in any position.

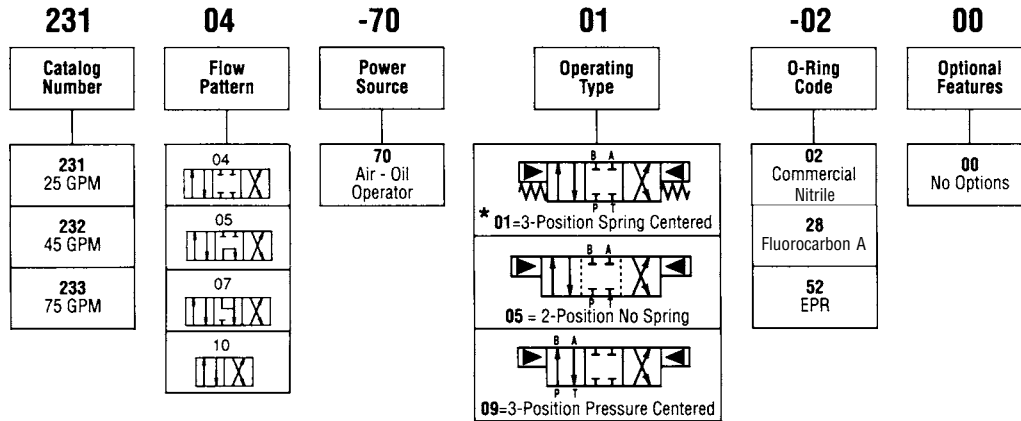


Specifications

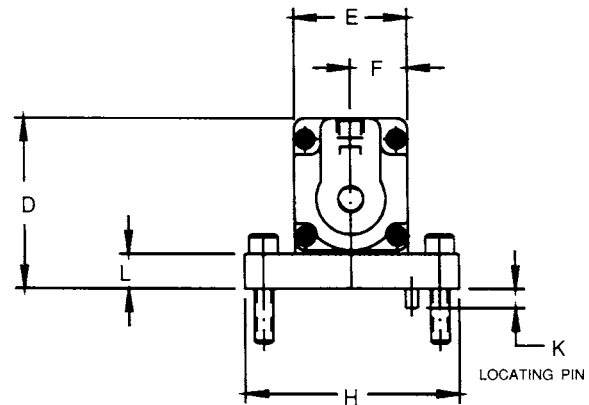
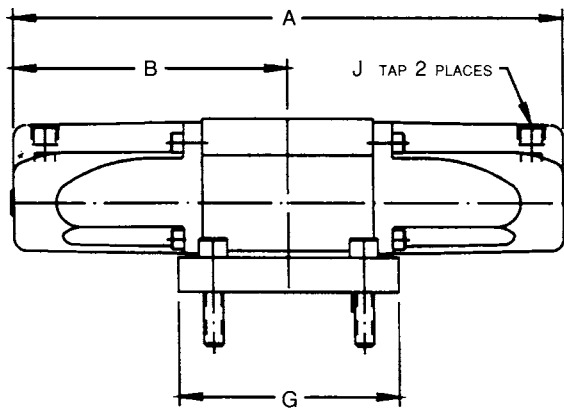
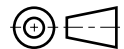
Service Applications	Hydraulic oil. Water containing minimum of 5% soluble oil. Others available on special order.	Internal Leakage	8 drops per min. maximum
Maximum Operating Pressure	*Pilot: 10.4 to 414 Bar (150 to 6000 PSI) Working: 414 Bar (6000 PSI) †Proof: 621 Bar (9000 PSI) †Burst: 1035 Bar (15,000 PSI) † Applicable to pressure and cylinder ports only. * Pilot pressure must exceed exhaust port pressure by at least 10.4 Bar (150 PSI) Note: Installation of this valve should ensure that exhaust port pressure does not exceed cylinder port pressures by more than 3.5 Bar (50 PSI). For spring centered valves, exhaust port pressure not to exceed 3.5 Bar (50 PSI).	External Leakage	Zero
		Mounting	Subplate. Mounting bolts furnished.
Flow	23100: 94.6 LPM (25 GPM) 23200: 170.3 LPM (45 FPM) 23300: 283.9 LPM (75 GPM)	Material	Body, Pistons: Steel Spring Retainer, Pipe Plugs: Ductile iron End Caps: Ductile iron Slide, Seals, Springs, Spring Washers: Stainless Steel O-rings: Synthetic rubber Back-up Rings: PTFE
		Operating Temperature	-40°C to +121°C (-40°F to +250°F) (with Code 02 O-rings)

Valve Number	Weight	CV Factor	Rated Flow	4 Flow Holes	Pilot Pistons 1/2 Stroke	Displacement Full Stroke	Pilot Port Sizes
23100	14 Lbs.	2.5	25 GPM	7/16 Dia.	.9 Cu. In.	1.8 Cu. In.	1/4 NPT
23200	23 Lbs.	4.3	45 GPM	9/16 Dia.	2.2 Cu. In.	4.4 Cu. In.	1/4 NPT
23300	54 Lbs.	7.4	75 GPM	3/4 Dia.	5.2 Cu. In.	10.4 Cu. In.	3/8 NPT

Ordering Information



Dimensions



Valve Series	All Dimensions are in Inches										Mounting Torque Required	
	A	B	C	D	E	F	G	H	J	K		L
23100	10 $\frac{31}{32}$	5 $\frac{31}{64}$	$\frac{5}{8}$	3 $\frac{27}{64}$	2 $\frac{1}{4}$	1 $\frac{1}{8}$	4 $\frac{3}{8}$	4 $\frac{1}{4}$	$\frac{1}{4}$ NPT	$\frac{1}{4}$ Dia. x Proj.	$\frac{11}{16}$	700 In. Lbs.
23200	13 $\frac{1}{2}$	6 $\frac{3}{4}$	$\frac{7}{8}$	3 $\frac{3}{4}$	2 $\frac{3}{4}$	1 $\frac{3}{8}$						
23300	16 $\frac{1}{4}$	8 $\frac{1}{8}$	1	4 $\frac{23}{32}$	4 $\frac{1}{4}$	2 $\frac{1}{8}$	5 $\frac{1}{2}$	6 $\frac{1}{4}$	$\frac{3}{8}$ NPT	$\frac{3}{8}$ Dia. x Proj.	1 $\frac{1}{8}$	1100 In. Lbs.