

General Description

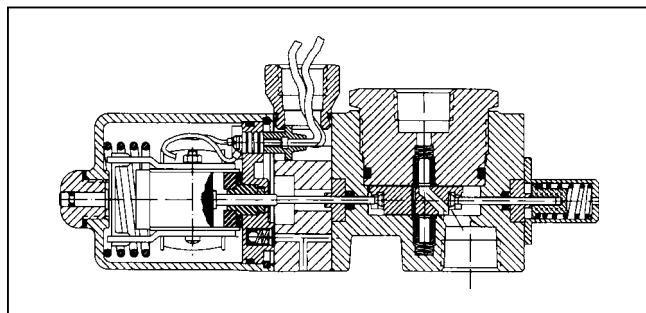
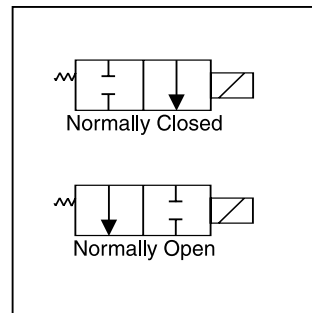
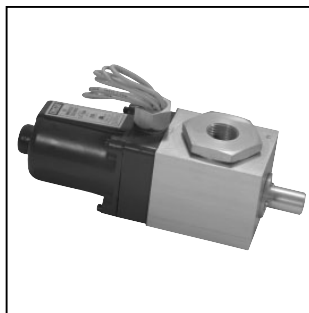
Series 21353 and 21356 Exectrol directional control valves are solenoid operated and can serve as a dump valve or a shut-off valve depending upon the configuration ordered. The valves handle grease and oil interchangeably without modification. The valves have a high tolerance to media contamination.

Features

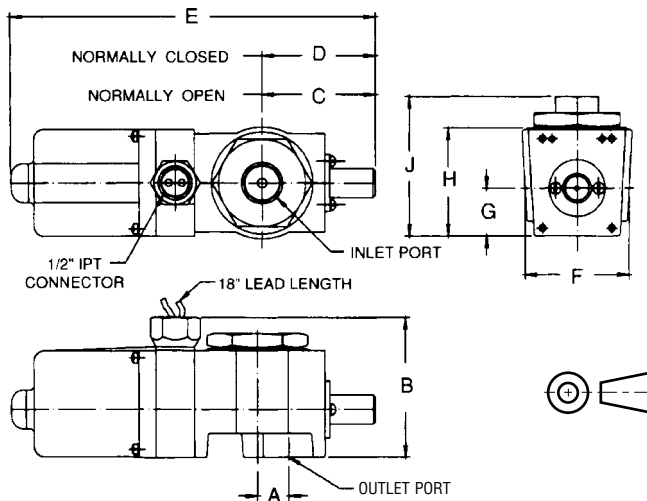
- Designed to handle grease and oil in centralized lubricating systems.
- Self cleaning and dirt resistant.
- Shear-type positive seal.
- Recommended for "venting" an R6701 relief valve as a high pressure shut-off or dump valve.

Specifications

Service App.	Lubricating grease or oil.	
Maximum Operating Pressure	Working: 310.5 Bar (4500 PSI) Proof: 465.8 Bar (6750 PSI) Burst: 776.3 Bar (11,250 PSI)	
Sizes	NPT 3/8", 3/4"	
Orifice Dia.	3/16"	
Ports	NPT Pipe Threads	
CV Factor	0.7	
Internal Leakage	1 DPM maximum per pressurized port	
Mounting	In-line. (ports offset)	
Material	Body, Cap, Solenoid Housing & Cap:	Aluminum alloy, anodized
	Slide, Seals:	Stainless steel, type 440
	Springs:	Stainless steel
	O-rings:	Synthetic rubber
	Back-up Rings:	PTFE
Operating Temperature	-40°C to +107°C (-40°F to +225°F) (with Code 02 O-rings)	

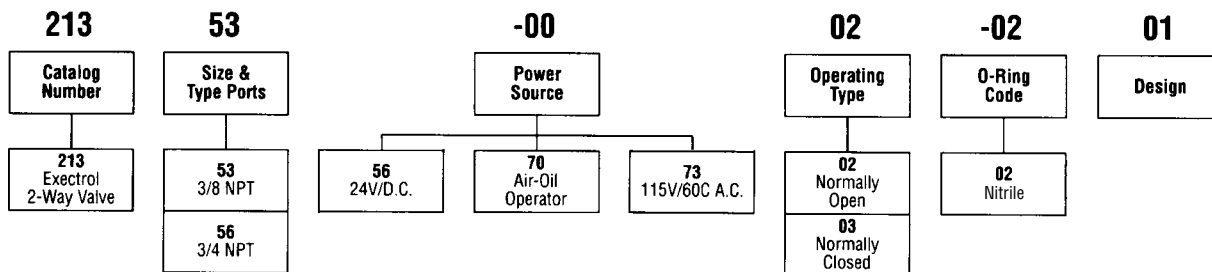


Dimensions



Power Source	All Dimensions are in Inches								
	A	B	C	D	E	F	G	H	J
A.C. Solenoid	$\frac{13}{16}$	$3 \frac{1}{2}$	$3 \frac{1}{16}$	$2 \frac{15}{16}$	$9 \frac{7}{16}$	$2 \frac{29}{32}$	$1 \frac{15}{64}$	$2 \frac{51}{64}$	$3 \frac{3}{16}$
D.C. Solenoid	$\frac{13}{16}$	$3 \frac{1}{2}$	$3 \frac{1}{16}$	$2 \frac{15}{16}$	11	$2 \frac{29}{32}$	$1 \frac{15}{64}$	$2 \frac{51}{64}$	$3 \frac{3}{16}$
Air - Oil Operator	$\frac{13}{16}$	$3 \frac{1}{2}$	$3 \frac{1}{16}$	$2 \frac{15}{16}$	$8 \frac{13}{16}$	$2 \frac{29}{32}$	$1 \frac{15}{64}$	$2 \frac{51}{64}$	$3 \frac{3}{16}$

Ordering Information



2502-E1.p65, dd

