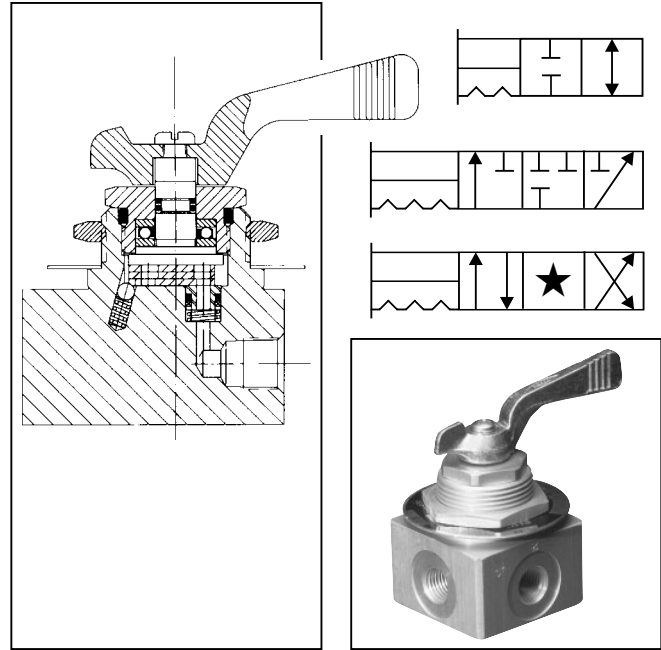


**General Description**

Series 8400E valves are 2, 3 and 4 way miniature selector valves with near zero leakage characteristics and are rated to 207 Bar (3000 PSI) for liquids and 138 Bar (2000 PSI) for air. The valve design requires low actuation torque and can be used for handling small amounts of fluid at high pressure and when space is at a premium.

**Features**

- Shear-type positive seal.
- Zero leakage (1 drop per min. per pressure port).
- High contamination tolerance.
- Long life due to wiping action of seals and disk.
- Low turning torque.
- Panel mounting is standard.



**Specifications**

<b>Service Applications</b>	Lubricated air, hydraulic oil, and water. For case pressure or exhaust port pressure applications above 17.3 Bar (250 PSI), consult factory.	<b>Material</b>	Body & Cap: Steel Disk: Stainless steel type 440 Shaft: Stainless steel type 303 Seals: Stainless steel type 440 O-rings: Synthetic rubber compatible with media Back-up rings: PTFE Handle: Steel, aluminum & plastic Finish: Paint or anodize Stop pin: Steel Note: Steel bodies and caps for water or air service are electroless nickel plated. Water service valves are equipped with grease fittings and require periodic lubrication with a waterproof grease.
<b>Maximum Operating Pressure</b>	Working: Liquids - 207 Bar (3000 PSI) Air - 138 Bar (2000 PSI) Proof: Liquids - 310.5 Bar (4500 PSI) Air - 207 Bar (3000 PSI) Burst: 517.5 Bar (7500 PSI)	<b>Operating Temperature</b>	-40°C to +121°C (-40°F to +250°F) Higher on special order
<b>Porting</b>	NPT: Pipe threads, bottom or side Sizes 1/8" & 1/4" IST: Internal straight threads per AND10050, side only Sizes 4 & 6 SAE: Straight threads, side only Sizes #4 & #6		
<b>Mounting</b>	Subplate - Size 6		

Valve Size				Weight Lbs.		CV Factor P. to A. or P. to B.	Flow Passage Diameter	Handle Pull – Lbs.			
								8400E		R8400E	
Subplate	SAE	Tube	Pipe	Steel	Alum.	8400E	8400E	Air	Oil	Air	Oil
Size 6	#4	4	1/8	1.8	3/4	.26	.125 In.	10	12	8	8
	#6	6	1/4	1.8	3/4	.29	.125 In.	10	12	8	8

**DO3 Subplate Mounted  
With Standard Port Connections**

Part No.	Port #1	Port #2	Port #3	Port #4
8413E	Exhaust	Pressure	—	—
8423E	Cylinder	Pressure	Cylinder	—
8443E	Pressure	Cylinder	Exhaust	Cylinder
8453E	Pressure	Cylinder	Exhaust	Cylinder
8473E*	Pressure	Cylinder	Exhaust	Cylinder

**Porting Connections**

Part No.	Port #1	Port #2	Port #3	Port #4
8411E 8412E	Pressure	Exhaust	—	—
8421E 8422E	Pressure	Cylinder	Exhaust	—
8441E 8442E	Exhaust	Cylinder	Pressure	Cylinder
8451E 8452E	Exhaust	Cylinder	Pressure	Cylinder
8471E* 8472E*	Exhaust	Cylinder	Pressure	Cylinder
8481E 8482E	Exhaust	Cylinder	Pressure	Cylinder

2502-D1.p65, dd

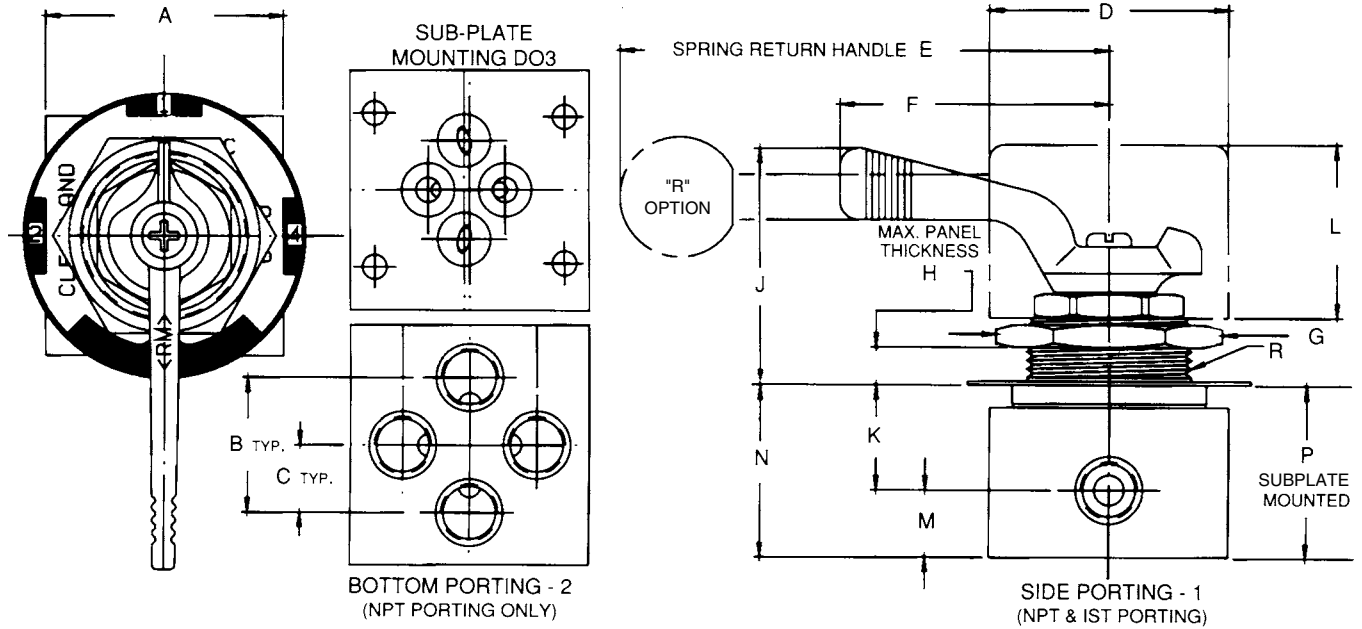
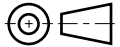
**Ordering Information**

<b>Prefix for Special Feature</b>	<b>84</b> Mini Lo-Torq Series	<b>1</b> Flow Pattern	<b>1</b> Type of Porting	<b>E</b> Design Series	<b>- 1/8</b> Size	<b>D</b> Materials	<b>2</b> O-Ring Code	<b>P</b> Panel Mounting	<b>Suffix Options</b>
See Option Page for Complete List	1 2-Way Shut-Off 2 3-Way 4 4-Way Closed Center 5 4-Way Tandem Center 7* 4-Way Manipulator Closed Center		1 Side Ported 2 Bottom Ported 3 Subplate Mounted		1/8 NPT 1/4 NPT 4 6 6 Subplate 104 SAE #4 106 SAE #6	D Aluminum Alloy	2 Nitrile 28 Fluorocarbon 52 EPR		See Option Page for Complete List

- NOTES:**
- \* 1. P/N 8473E connects pressure ports to cylinder ports in the center position when mounted on a standard DO3 Subplate.
  - 2. Other port connections that may be used by the customer are his options.



**Dimensions**



Valve Size				All Dimensions are in Inches														
Sub-Plate	SAE	Tube	Pipe	A	B	C	D	E	F	G	H	J	K	L	M	N	P	R
	# 4	4	1/8	2	1 1/8	9/16	2	4 13/16	2 1/4	1 5/8	5/16	1 15/16	7/8	1 7/16	9/16	1 7/16	1 1/8	1 3/8 - 14 Thread
Size 6	# 6	6	1/4	2	1 1/8	9/16	2	4 13/16	2 1/4	1 5/8	5/16	1 15/16	7/8	1 7/16	9/16	1 7/16	1 1/8	1 3/8 - 14 Thread