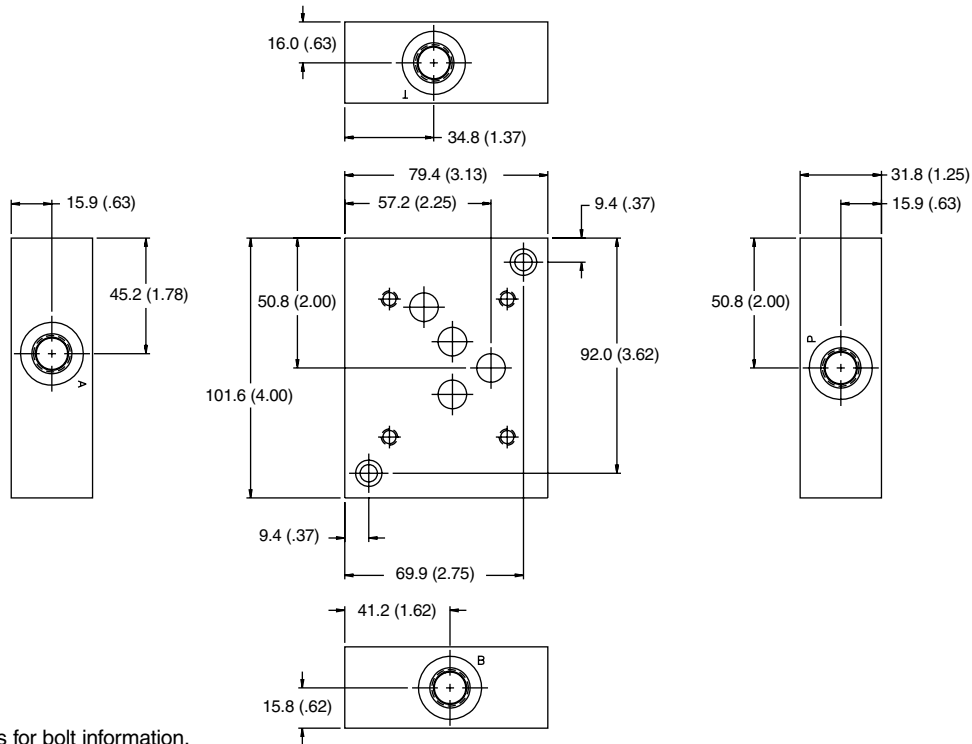
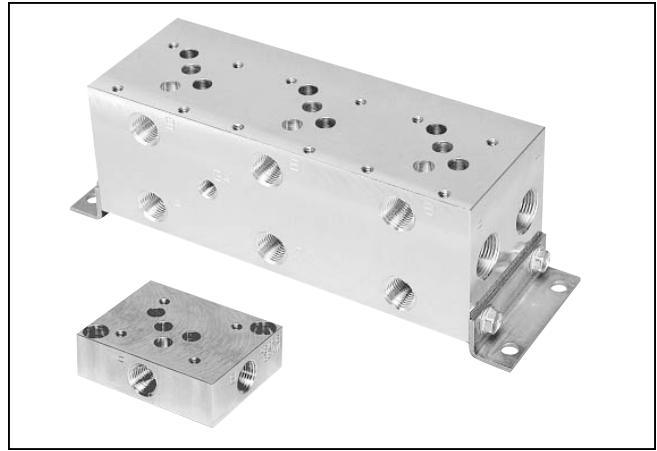


**Features**

- **Aluminum or steel available** — Flexibility for applying to different system pressures.
- **NPT and SAE thread options available** — Flexibility to plumb into existing systems.
- **Multiple port sizes available** — Eliminates need for reducers and expander at subplate connection.

**Side Ported Subplate — NFPA D05**

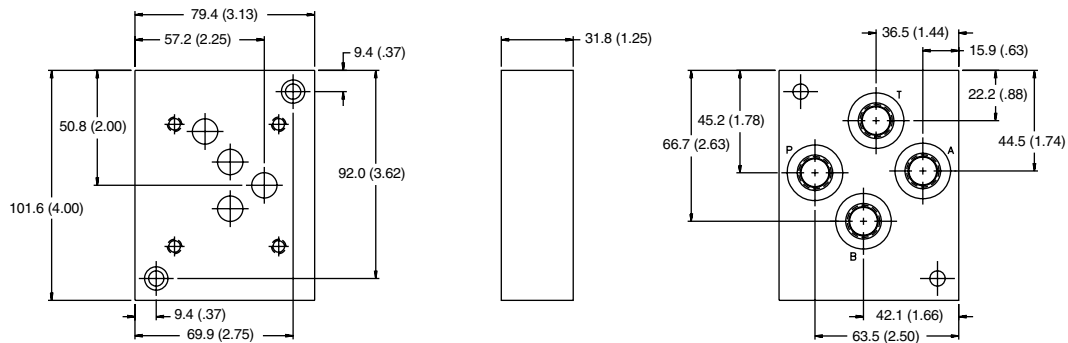
Inch equivalents for millimeter dimensions are shown in (\*\*)



See Mounting Bolt Kits for bolt information.

**Bottom Ported Subplate — NFPA D05**

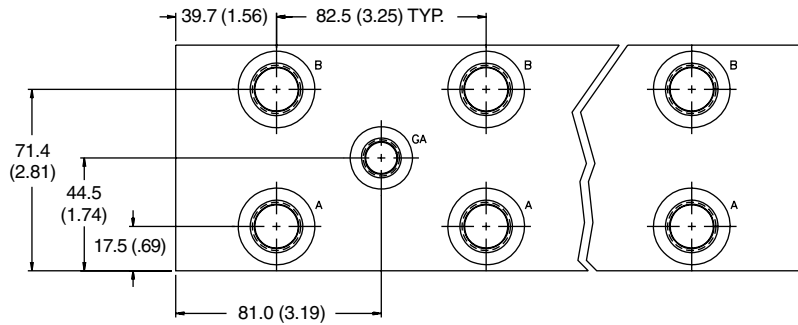
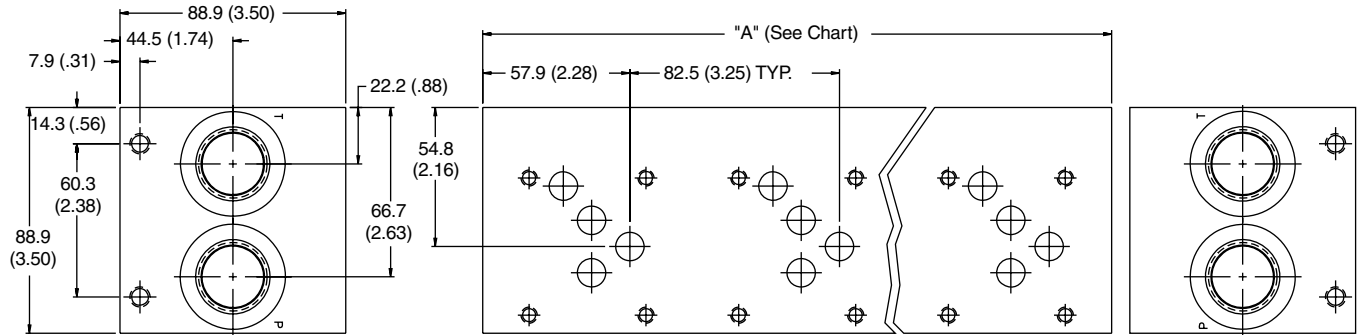
Inch equivalents for millimeter dimensions are shown in (\*\*)



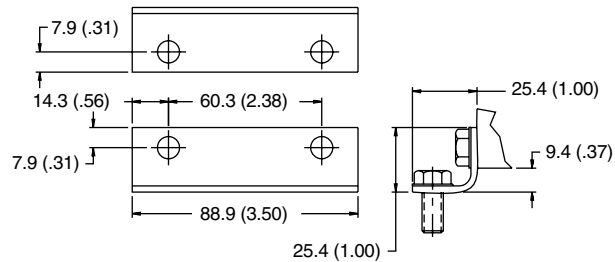
See Mounting Bolt Kits for bolt information.

**Series D3A, D3DW, D3L and D3W  
Manifold — NFPA D05**

Inch equivalents for millimeter dimensions are shown in (\*\*)



Note: Gage port not available on single station manifold.



**Mounting Hardware**  
(See Ordering Information for Mounting Hardware details)

No. Stations	01	02	03	04	05	06
"A" Length, mm (in)	82.6 (3.25)	165.1 (6.50)	247.7 (9.75)	330.2 (13.00)	412.8 (16.25)	495.3 (19.50)
Weight, Alum. kg (lbs.)	1.8 (4)	3.6 (8)	5.0 (11)	6.4 (14)	7.9 (17)	9.6 (21)
Weight, Iron kg (lbs.)	4.1 (9)	7.7 (17)	11.8 (26)	15.4 (34)	20.1 (43)	23.3 (51)

See Mounting Bolt Kits for bolt information.

