

General Description

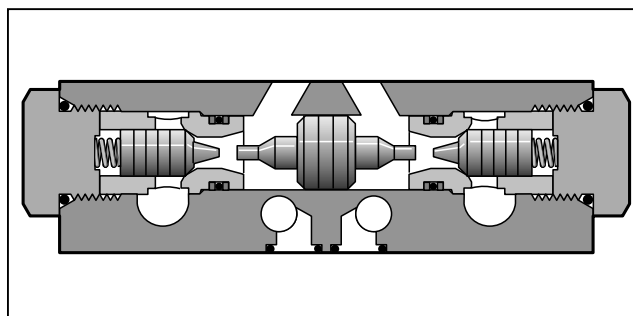
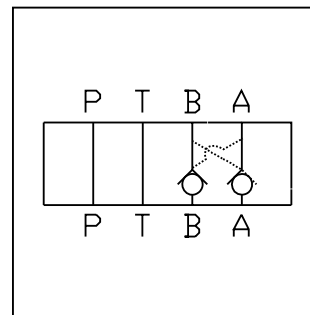
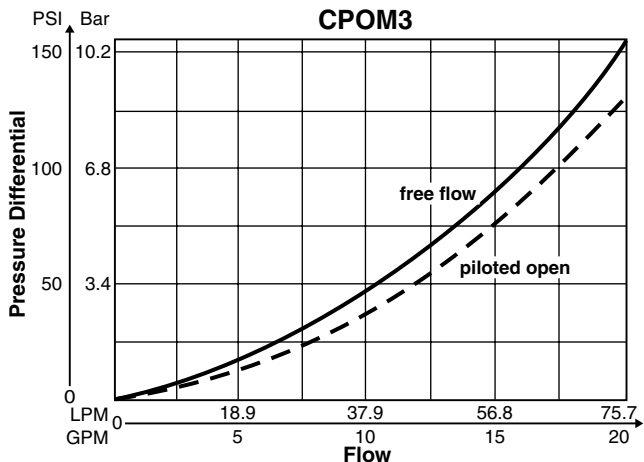
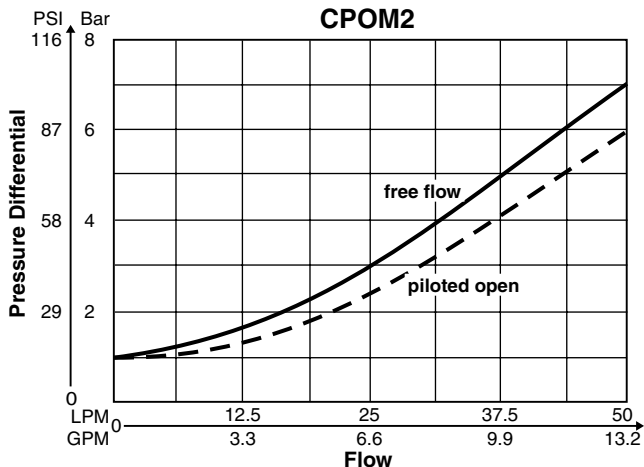
Series CPOM double pilot operated check valves blocks leakage from the actuator ports to tank when the directional valve is in the center position.

NOTE: For max. response and shut off, a directional valve with both cylinder ports drained to tank in the center position is recommended for use with Manapak double pilot operated check valves.

Features

- Parker Manapak CPOM sandwich style, p.o. check valves can be provided in either single or double configurations.
- The p.o. checks may be positioned in 'A' port or 'B' port; or both 'A' and 'B' ports.
- Valve bodies are manufactured from steel providing extra strength and durability for longer life. Internal hardened steel components also provide longer life.
- Positive shut-off is provided by a hardened poppet and cage assembly.
- Large internal flow paths allow high flow at low pressure drop.

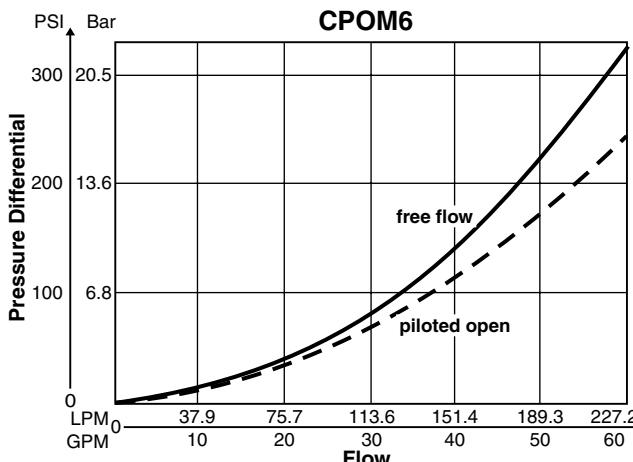
Performance Curves



B

Specifications

	CPOM2	CPOM3	CPOM6
Mounting Pattern	NFPA D03, CETOP 3, NG 6	NFPA D05, CETOP 5, NG 10	NFPA D08, CETOP 8, NG 25
Maximum Pressure	345 Bar (5000 PSI)	345 Bar (5000 PSI)	205 Bar (3000 PSI)
Maximum Flow	53 LPM (14 GPM) @ 21 Bar (305 PSI) Pressure Drop	76 LPM (20 GPM) @ 11 Bar (155 PSI) Pressure Drop	227 LPM (60 GPM) @ 24 Bar (350 PSI) Pressure Drop
Cracking Pressure	0.3 Bar (5 PSI)	0.8 Bar (12 PSI)	0.4 Bar (6 PSI)
Pilot Ratio	3:1	3:1	3:1
Leakage	5 DPM	5 DPM	5 DPM



Curves were generated using 100 SSU hydraulic oil. For any other viscosity, pressure drop will change as per chart.	Viscosity Correction Factor							
	Viscosity (SSU)	75	150	200	250	300	350	400
	Percentage of ΔP (Approx.)	93	111	119	126	132	137	141

2502-B1.p65, dd



CPOM

Manapak
 Double Pilot
 Operated
 Check Valve

Size

Poppet
 Style

Poppet
 Style

Cracking
 Pressure

Cracking
 Pressure

Seal

Seal

Design
 Series

Design
 Series

NOTE:
 Not required
 when ordering.

Code	Description
2	NFPA D03 Subplate Mounting
3	NFPA D05 Subplate Mounting
6	NFPA D08 Subplate Mounting

Code	Description
DD	Double Poppet A and B Ports
AA	A Port Only
BB	B Port Only

Code	Type
Omit**	5 PSI
Y*	45 PSI
Z*	75 PSI

* Available in size 2 only.
 ** Available in sizes 3 & 6 only.

Code	Type
N	Nitrile
V	Fluorocarbon

Bold: Designates Tier I products and options.

Non-Bold: Designates Tier II products and options. These products will have longer lead times.

Manapak Bolt Kits

Size "2"				Size "3"			
No. of Manapaks	Manapak & Valve Combination	Bolt Kit	Bolt Length mm (in)	No. of Manapaks	Manapak & Valve Combination	D3W-30 D3DW & D31VW*	Bolt Length mm (in)
1	Manapak & D1	BK243	73.2 (2.88)	1	Manapak & D3	BK141	88.9 (3.50)
2	Manapak & D1	BK225	111.3 (4.38)	2	Manapak & D3	BK142	139.7 (5.50)
3	Manapak & D1	BK244	152.4 (6.00)	3	Manapak & D3	BK143	190.5 (7.50)
4	Manapak & D1	BK245	190.5 (7.50)				

* D31VW with internal pilot and internal drain only.

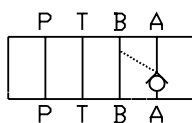
Size "6"			
No. of Manapaks	Manapak & Valve Combination	Bolt Kit	Bolt Length mm (in)
1	Manapak & D6	BK121	133.4 (5.25)
2	Manapak & D6	BK122	203.2 (8.00)
3	Manapak & D6	BK123	273.1 (10.75)
4	Manapak & D6	BK124	342.9 (13.5)

Unit Weight:

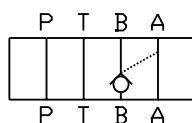
CPOM2D 0.8 kg (1.7 lbs.)
 CPOM3D 4.4 kg (9.6 lbs.)
 CPOM6D 9.5 kg (21.0 lbs.)

Bolt Kits must be ordered separately.

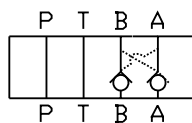
Schematics



AA Option

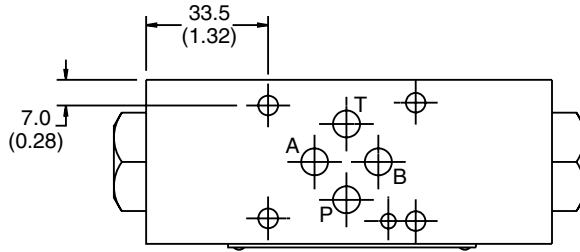


BB Option

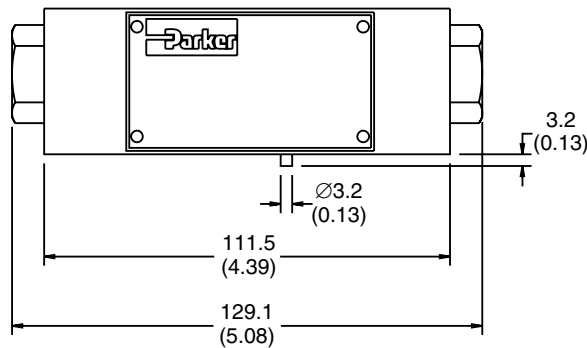


DD Option

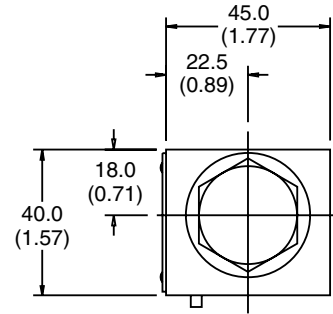
Inch equivalents for millimeter dimensions are shown in (**)



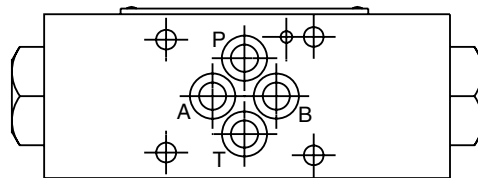
Top View



Face View



End View



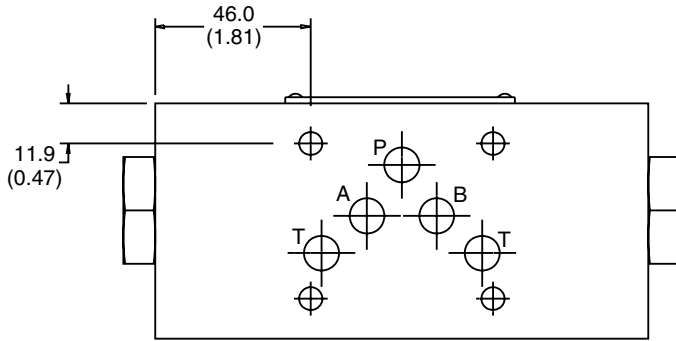
Bottom View

B

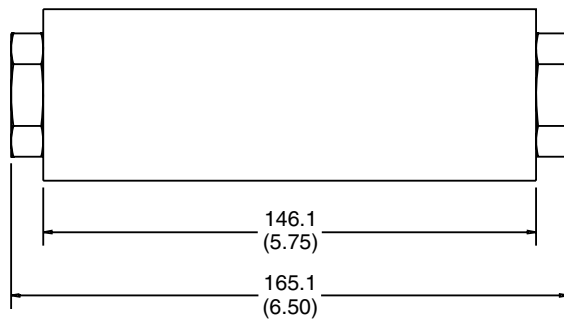


Inch equivalents for millimeter dimensions are shown in (**)

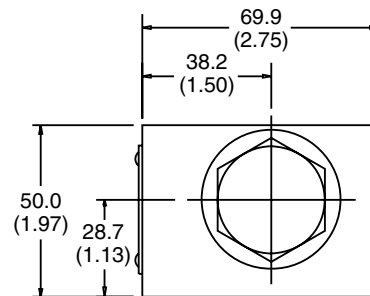
B



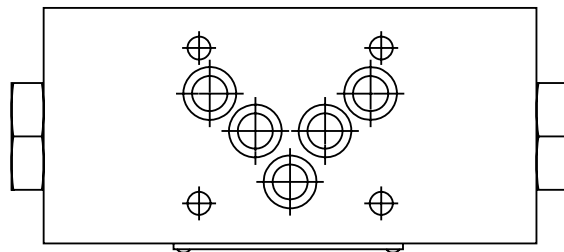
Top View



Face View



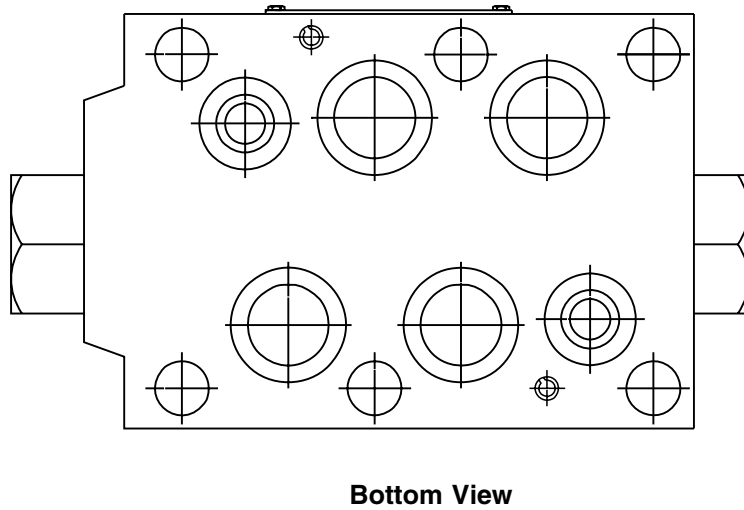
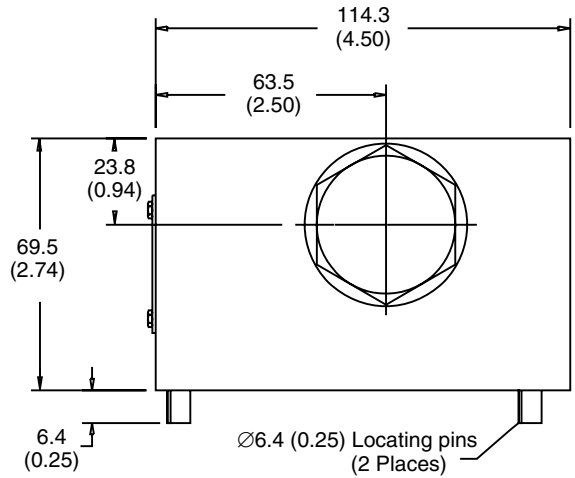
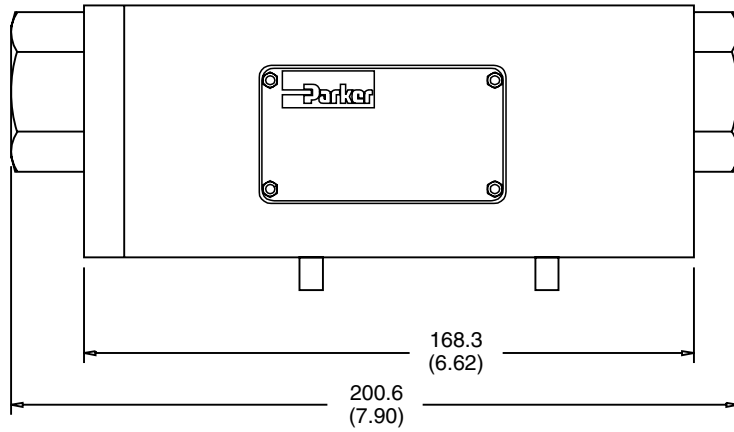
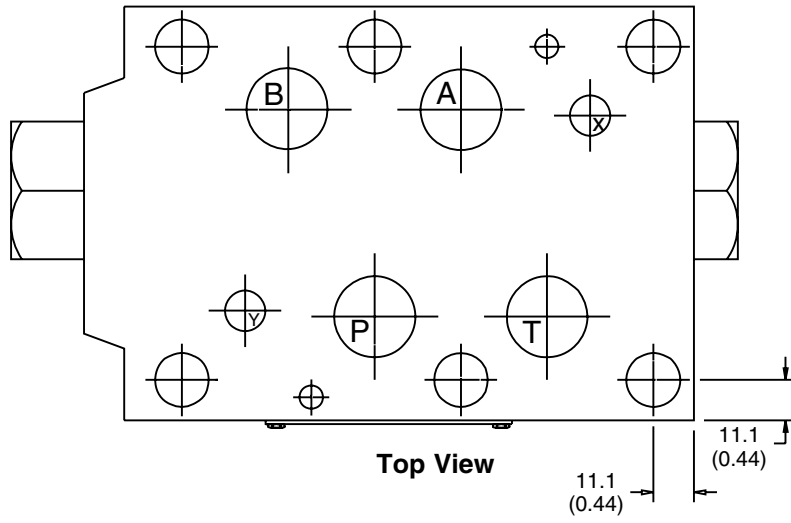
End View



Bottom View



Inch equivalents for millimeter dimensions are shown in (**)



B

