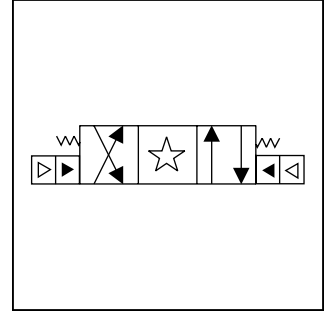
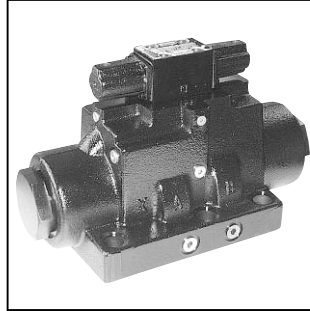


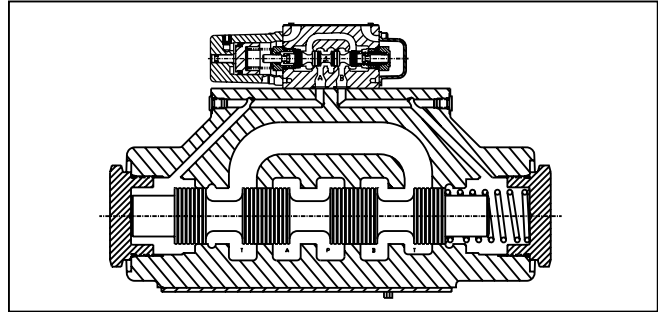
General Description

Series D101VA directional control valves are 5-chamber, air pilot operated valves. They are available in 2 or 3-position styles. These valves are manifold or subplate mounted, and conform to NFPA's D10, CETOP 10 mounting pattern.



Specifications

Mounting Pattern	NFPA D10, CETOP 10, NG32
Maximum Operating Pressure	207 Bar (3000 PSI) "T" Port (tank): 34 Bar (500 PSI) With External Drain: 207 Bar (3000 PSI)
Maximum Flow	See Reference Chart
Pilot Pressure	Air Min: 3.4 Bar (50 PSI) Air Max: 10.2 Bar (150 PSI)
Max. Drain Pressure	34 Bar (500 PSI)
Response Time	Varies with pilot line size and length, pilot pressure, pilot valve shift time & flow capacity (GPM)



Features

- Low pressure drop design.
- Hardened spools provide long life.

Ordering Information

<div style="border: 1px solid black; padding: 2px; width: 30px; margin: 0 auto;">D</div> Directional Control Valve	<div style="border: 1px solid black; padding: 2px; width: 60px; margin: 0 auto;">101V</div> Basic Valve	<div style="border: 1px solid black; padding: 2px; width: 30px; margin: 0 auto;">A</div> Air Operated Pilot	<div style="border: 1px solid black; padding: 2px; width: 30px; margin: 0 auto;"></div> Spool	<div style="border: 1px solid black; padding: 2px; width: 30px; margin: 0 auto;"></div> Style	<div style="border: 1px solid black; padding: 2px; width: 30px; margin: 0 auto;"></div> Pilot Supply and Drain	<div style="border: 1px solid black; padding: 2px; width: 30px; margin: 0 auto;"></div> Seal Compound	<div style="border: 1px solid black; padding: 2px; width: 30px; margin: 0 auto;"></div> Variations	<div style="border: 1px solid black; padding: 2px; width: 30px; margin: 0 auto;"></div> Design Series																																
<div style="border: 1px solid black; padding: 2px; width: 100px; margin: 0 auto;">NFPA D10 CETOP 10</div>		<div style="border: 1px solid black; padding: 2px; width: 100px; margin: 0 auto;">Air Operated Pilot</div>		<table border="1" style="margin: 0 auto;"> <thead> <tr> <th>Code</th> <th>Type</th> </tr> </thead> <tbody> <tr> <td>N</td> <td>Nitrile</td> </tr> <tr> <td>V</td> <td>Fluorocarbon</td> </tr> </tbody> </table>			Code	Type	N	Nitrile	V	Fluorocarbon	<table border="1" style="margin: 0 auto;"> <thead> <tr> <th>Code</th> <th>Description</th> </tr> </thead> <tbody> <tr> <td>1</td> <td>Int. pilot/Ext. drain</td> </tr> <tr> <td>2</td> <td>Ext. pilot/Ext. drain</td> </tr> <tr> <td>4#</td> <td>Int. pilot/Int. drain</td> </tr> <tr> <td>5</td> <td>Ext. pilot/Int. drain</td> </tr> </tbody> </table> <p># Not available with 2, 8 & 9 spools.</p>		Code	Description	1	Int. pilot/Ext. drain	2	Ext. pilot/Ext. drain	4#	Int. pilot/Int. drain	5	Ext. pilot/Int. drain	<table border="1" style="margin: 0 auto;"> <thead> <tr> <th>Code</th> <th>Description</th> </tr> </thead> <tbody> <tr> <td>7</td> <td>Pilot choke – meter out</td> </tr> <tr> <td>60</td> <td>Pilot choke – meter in</td> </tr> <tr> <td>8</td> <td>Stroke adj. 'B'</td> </tr> <tr> <td>9</td> <td>Stroke adj. 'A'</td> </tr> <tr> <td>89</td> <td>Stroke adj. 'A' & 'B'</td> </tr> <tr> <td>90</td> <td>BSPB Threads</td> </tr> </tbody> </table>		Code	Description	7	Pilot choke – meter out	60	Pilot choke – meter in	8	Stroke adj. 'B'	9	Stroke adj. 'A'	89	Stroke adj. 'A' & 'B'	90	BSPB Threads
Code	Type																																							
N	Nitrile																																							
V	Fluorocarbon																																							
Code	Description																																							
1	Int. pilot/Ext. drain																																							
2	Ext. pilot/Ext. drain																																							
4#	Int. pilot/Int. drain																																							
5	Ext. pilot/Int. drain																																							
Code	Description																																							
7	Pilot choke – meter out																																							
60	Pilot choke – meter in																																							
8	Stroke adj. 'B'																																							
9	Stroke adj. 'A'																																							
89	Stroke adj. 'A' & 'B'																																							
90	BSPB Threads																																							
<p>Valve schematic symbols are per NFPA/ANSI standards, providing flow P to A when energizing operator A. Note operators reverse sides on #8 and #9 spools. See installation information for details.</p> <table border="1" style="width: 100%;"> <thead> <tr> <th>Code</th> <th>Symbol</th> </tr> </thead> <tbody> <tr> <td>1</td> <td></td> </tr> <tr> <td>2</td> <td></td> </tr> <tr> <td>4</td> <td></td> </tr> <tr> <td>8*</td> <td></td> </tr> <tr> <td>9**</td> <td></td> </tr> <tr> <td>11</td> <td></td> </tr> </tbody> </table> <p>* 8 spool has closed crossover. ** 9 spool has open crossover.</p>				Code	Symbol	1		2		4		8*		9**		11		<table border="1" style="width: 100%;"> <thead> <tr> <th>Code</th> <th>Description</th> <th>Symbol</th> </tr> </thead> <tbody> <tr> <td>B†</td> <td>Sgl. solenoid, 2 position, spring offset. P to A and B to T in offset position.</td> <td></td> </tr> <tr> <td>C</td> <td>Dbl. solenoid, 3 position, spring centered.</td> <td></td> </tr> <tr> <td>H†</td> <td>Sgl. solenoid, 2 position, spring offset. P to B and A to T in offset position.</td> <td></td> </tr> </tbody> </table> <p>† Available with 1, 2, 4 & 11 spools only.</p>				Code	Description	Symbol	B†	Sgl. solenoid, 2 position, spring offset. P to A and B to T in offset position.		C	Dbl. solenoid, 3 position, spring centered.		H†	Sgl. solenoid, 2 position, spring offset. P to B and A to T in offset position.								
Code	Symbol																																							
1																																								
2																																								
4																																								
8*																																								
9**																																								
11																																								
Code	Description	Symbol																																						
B†	Sgl. solenoid, 2 position, spring offset. P to A and B to T in offset position.																																							
C	Dbl. solenoid, 3 position, spring centered.																																							
H†	Sgl. solenoid, 2 position, spring offset. P to B and A to T in offset position.																																							

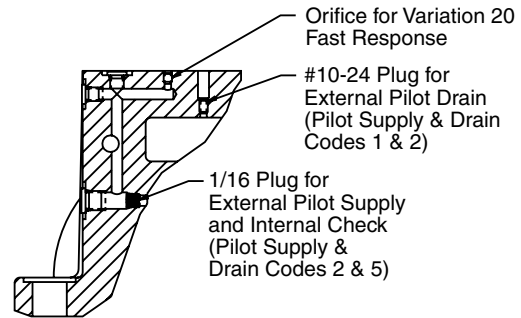
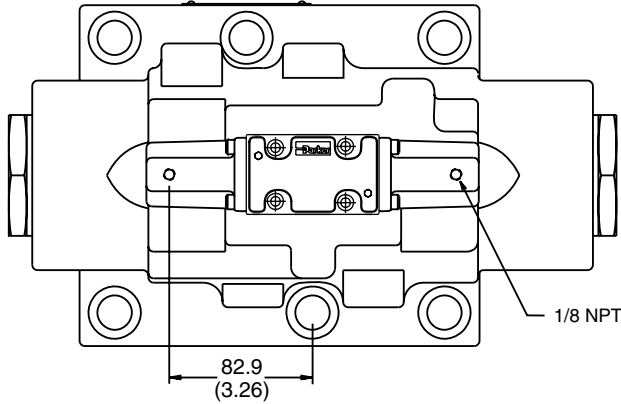
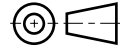
Valve Weight: 35.3 kg (77.8 lbs.)
Standard Bolt Kit: BK229
Metric Bolt Kit: BKM229

Bold: Designates Tier I products and options.

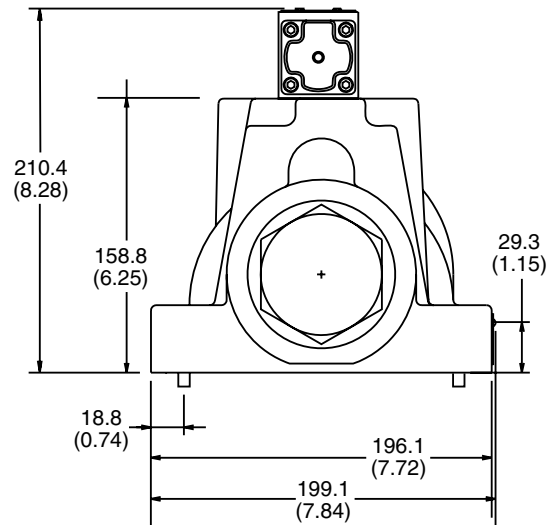
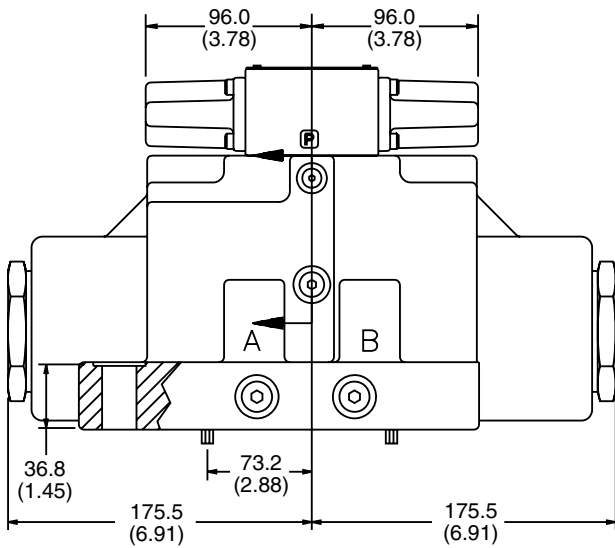
Non-Bold: Designates Tier II products and options. These products will have longer lead times.

Inch equivalents for millimeter dimensions are shown in (**)

Air Operated



Section A-A



Note: 36.83mm (1.45") from bottom of bolt hole counterbore to bottom of valve.