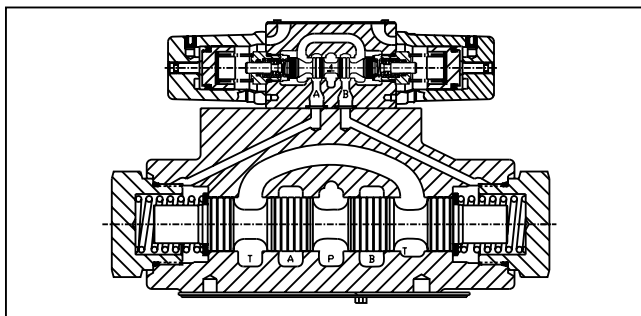
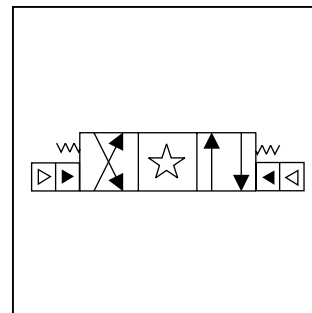
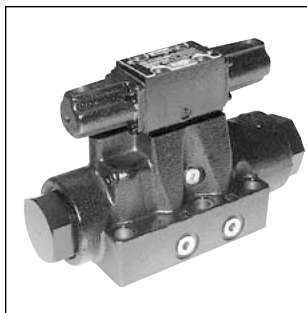


General Description

Series D61VA directional control valves are 5-chamber, air pilot operated valves. They are available in 2 or 3-position styles. These valves are manifold or subplate mounted, and conform to NFPA's D08, CETOP 8 mounting patterns.

Specifications

Mounting Pattern	NFPA D08, CETOP 8, NG25
Maximum Operating Pressure	P, A, B: 207 Bar (3000 PSI) "T" Port (tank): 34 Bar (500 PSI) With External Drain: 207 Bar (3000 PSI)
Maximum Flow	See Reference Data
Pilot Pressure	Air Min: 3.4 Bar (50 PSI) Air Max: 10.2 Bar (150 PSI)
Max. Drain Pressure	34 Bar (500 PSI)
Response Time	Varies with pilot line size and length, pilot pressure, pilot valve shift time & flow capacity (GPM)



Features

- Low pressure drop.
- Fast response option available.
- Hardened spools provide long life.

Ordering Information

D Directional Control Valve	61V Basic Valve	A Air Operated Pilot	□ Spool	□ Style	□ Pilot Supply and Drain	□ Seal Compound	□ Variations	□ □ □ □ Design Series
Code Description	Code Description	Code Description						NOTE: Not required when ordering.
61V NFPA D08, CETOP 8	A Air Operated Pilot	N Nitrile V Fluorocarbon						

Code	Symbol	Code	Symbol
1		8*	
2		9**	
4		11	
		12	

* 8 spool has closed crossover.
 ** 9 spool has open crossover.

Valve schematic symbols are per NFPA/ANSI standards, providing flow P to A when energizing operator A. Note operators reverse sides for #8 and #9 spools. See installation information for details.

Valve Weight: 12.4 kg (27.3 lbs.)
Standard Bolt Kit: BK227
Metric Bolt Kit: BKM227

This condition varies with spool code.

Code	Description
1	Int. pilot/Ext. drain
2	Ext. pilot/Ext. drain
4#	Int. pilot/Int. drain
5	Ext. pilot/Int. drain

Not available with 2, 8 & 9 spools.

Code	Description	Symbol
B	Single operator, 2 position, spring offset. P to A and B to T in offset position.	
C	Double operator, 3 position, spring centered.	
D	Double operator, 2 position, detent.	
E	Single operator, 2 position, spring offset to center. P to B and A to T in shifted position.	
H	Single operator, 2 position, spring offset. P to B and A to T in offset position.	
K	Single operator, 2 position. Spring offset to center. P to A and B to T in shifted position.	

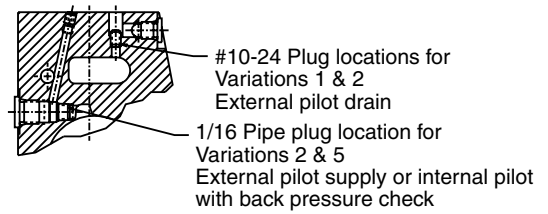
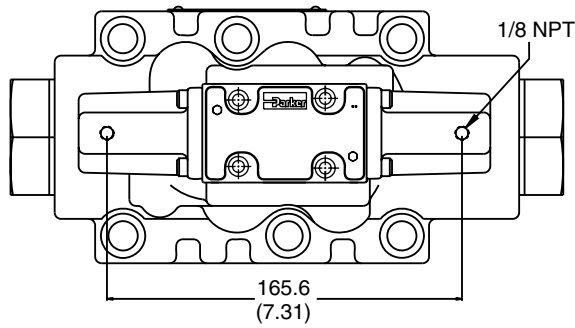
Bold: Designates Tier I products and options.

Non-Bold: Designates Tier II products and options. These products will have longer lead times.

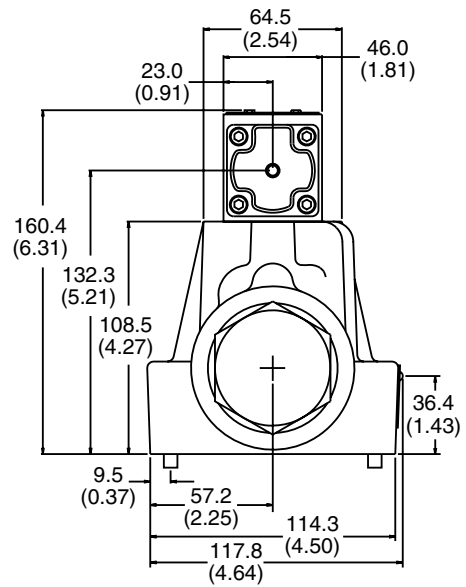
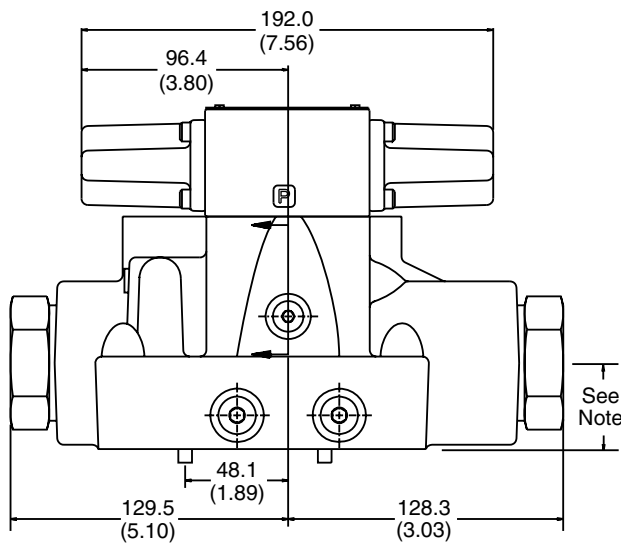
Dimensions

**Directional Control Valves
Series D61VA**

Inch equivalents for millimeter dimensions are shown in (**)



SECTION A-A



Note: 41.9mm (1.65") from bottom of bolt hole counterbore to bottom of valve.

