

General Description

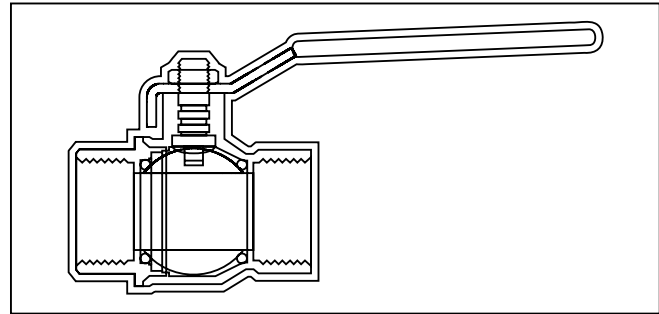
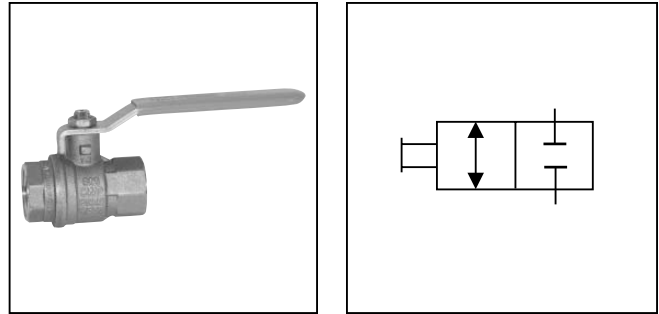
Series 520 low pressure ball valves provide total shut-off capability for services up to 41 Bar (600 PSI). This economical ball valve is available in female pipe sizes.

Operation

A quarter turn of the handle is on or off. Ball valves are not intended for use as a throttling valve. Attempting to use it in these applications may result in premature seal failure and/or inability to turn the valve handle.

Features

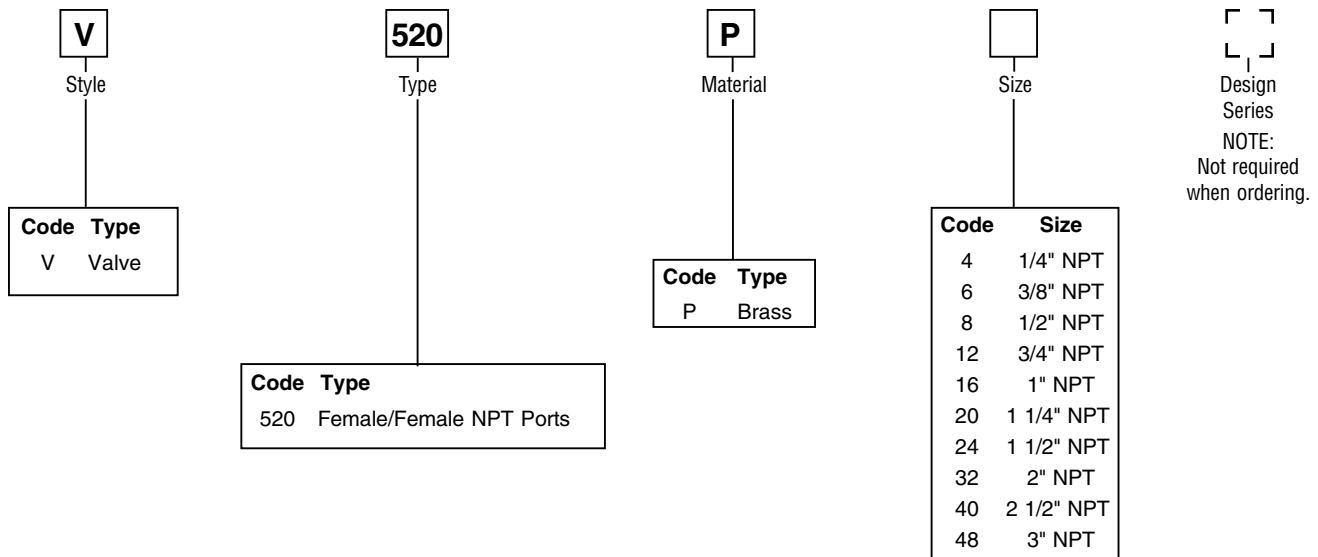
- Ball valve bodies are machined forgings which provide extended service life and resist failure caused by severe temperature conditions.
- Full flow design assures maximum system efficiency.
- Highly inert PTFE seats provide resistance to chemical corrosion.
- Two fluorocarbon o-rings at the stem provide maximum safety with no maintenance.
- Blowout proof stem design, chrome plated brass ball and a special design handle enable increased turn and leverage for ease of opening and closing.



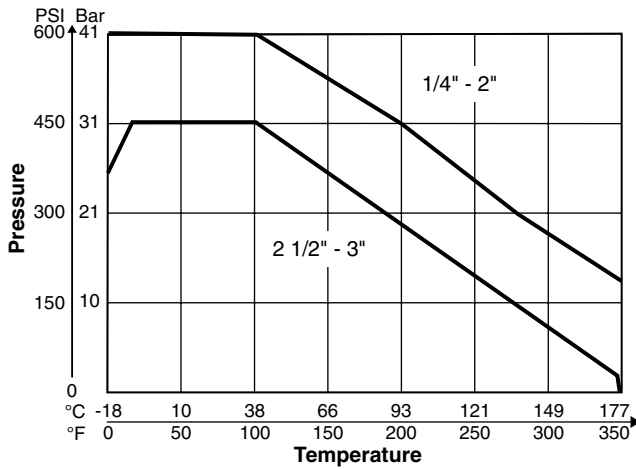
Specifications

Maximum Pressure	41 Bar (600 PSI)
Working Pressure	Saturated steam 10 Bar (150 PSI) and 177°C (350°F) Vacuum 29 in. Hg

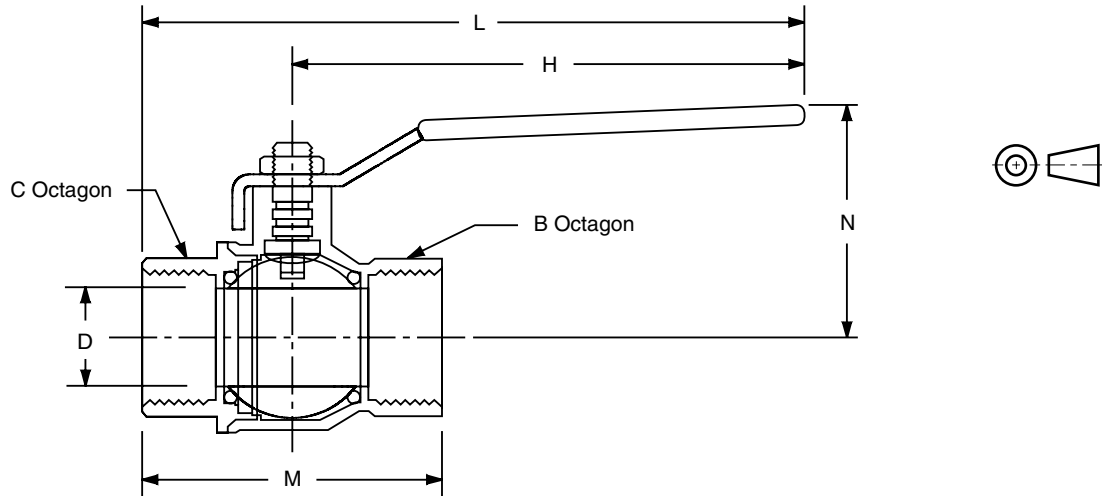
Ordering Information



Performance Curves



Dimensions



Part Number	Pipe Thread	B Octagon	C Octagon	Dimensions mm (in)				D Flow Ø
				H	L	M	N	
Brass Ball Valve V520P								
V520P4	1/4-18	20.1 (0.79)	20.1 (0.79)	100.1 (3.94)	122.7 (4.83)	45.0 (1.77)	38.1 (1.50)	7.9 (.310)
V520P6	3/8-18	20.1 (0.79)	20.1 (0.79)	100.1 (3.94)	122.7 (4.83)	45.0 (1.77)	38.1 (1.50)	10.2 (.400)
V520P8	1/2-14	24.9 (0.98)	24.9 (0.98)	100.1 (3.94)	129.5 (5.10)	58.9 (2.32)	42.9 (1.69)	15.2 (.600)
V520P12	3/4-14	31.0 (1.22)	31.0 (1.22)	119.9 (4.72)	151.9 (5.98)	64.0 (2.52)	50.0 (1.97)	20.1 (.790)
V520P16	1 -11.5	39.9 (1.57)	39.9 (1.57)	119.9 (4.72)	160.5 (6.32)	81.0 (3.19)	54.1 (2.13)	25.4 (1.000)
V520P20	1 1/4	49.0 (1.93)	49.0 (1.93)	158.0 (6.22)	204.5 (8.05)	93.0 (3.66)	71.6 (2.82)	31.8 (1.250)
V520P24	1 1/2	54.1 (2.13)	54.1 (2.13)	158.0 (6.22)	209.0 (8.23)	102.1 (4.02)	77.7 (3.06)	39.9 (1.570)
V520P32	2	68.3 (2.69)	68.3 (2.69)	158.0 (6.22)	217.9 (8.58)	120.9 (4.76)	84.6 (3.33)	50.8 (2.000)
V520P40	2 1/2	85.1 (3.35)	85.1 (3.35)	255.0 (10.04)	333.0 (13.11)	156.0 (6.14)	132.1 (5.20)	64.0 (2.520)
V520P48	3	98.8 (3.89)	98.8 (3.89)	255.0 (10.04)	343.4 (13.52)	177.0 (6.97)	140.0 (5.51)	76.2 (3.000)

