

**General Description**

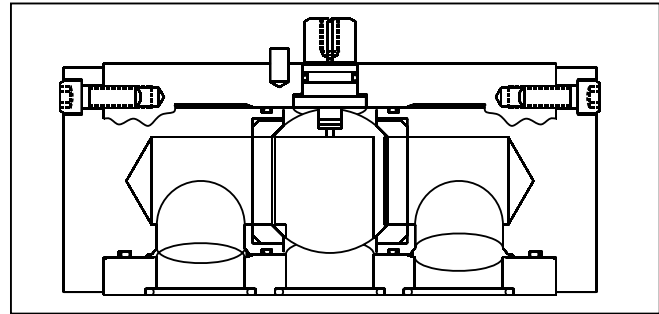
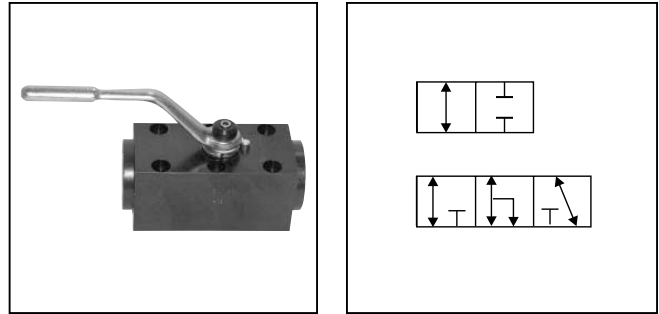
Series BVMM is a manifold mounted high pressure 414 Bar (6000 PSI) 2 or 3-way ball valve. Manifold mounting eliminates an external fluid connection.

**Operation**

Series BVMM valves operate through either 90° or 180° depending on the ball pattern chosen. For 3-way valves, pressure is applied to Port 1.

**Specifications**

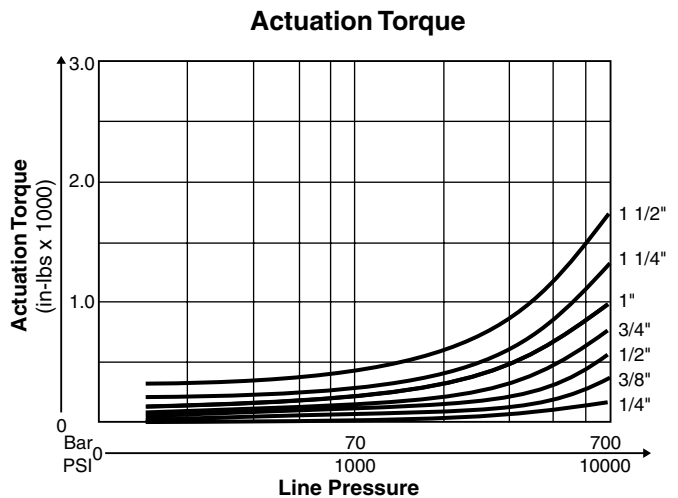
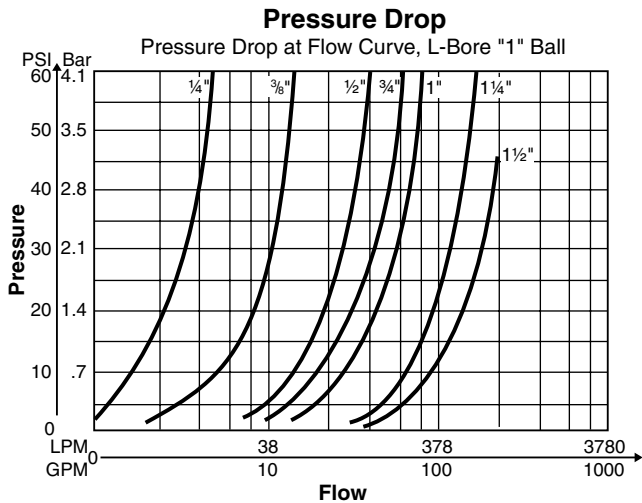
<b>Maximum Pressure</b>	414 Bar (6000 PSI)
<b>Body Material</b>	Carbon Steel, Black Oxide
<b>Ball Material</b>	Steel, Chrome Plated
<b>Spindle Material</b>	Steel, Nickel Plated
<b>Standard Handle</b>	Steel, Offset, Nickel Plated
<b>Ball Seals</b>	Delrin + MoS <sub>2</sub>
<b>Spindle Seals</b>	O-Rings & Backup, Nitrile
<b>Operating Temperature</b>	-30°C to +100°C (-22°F to +212°F)

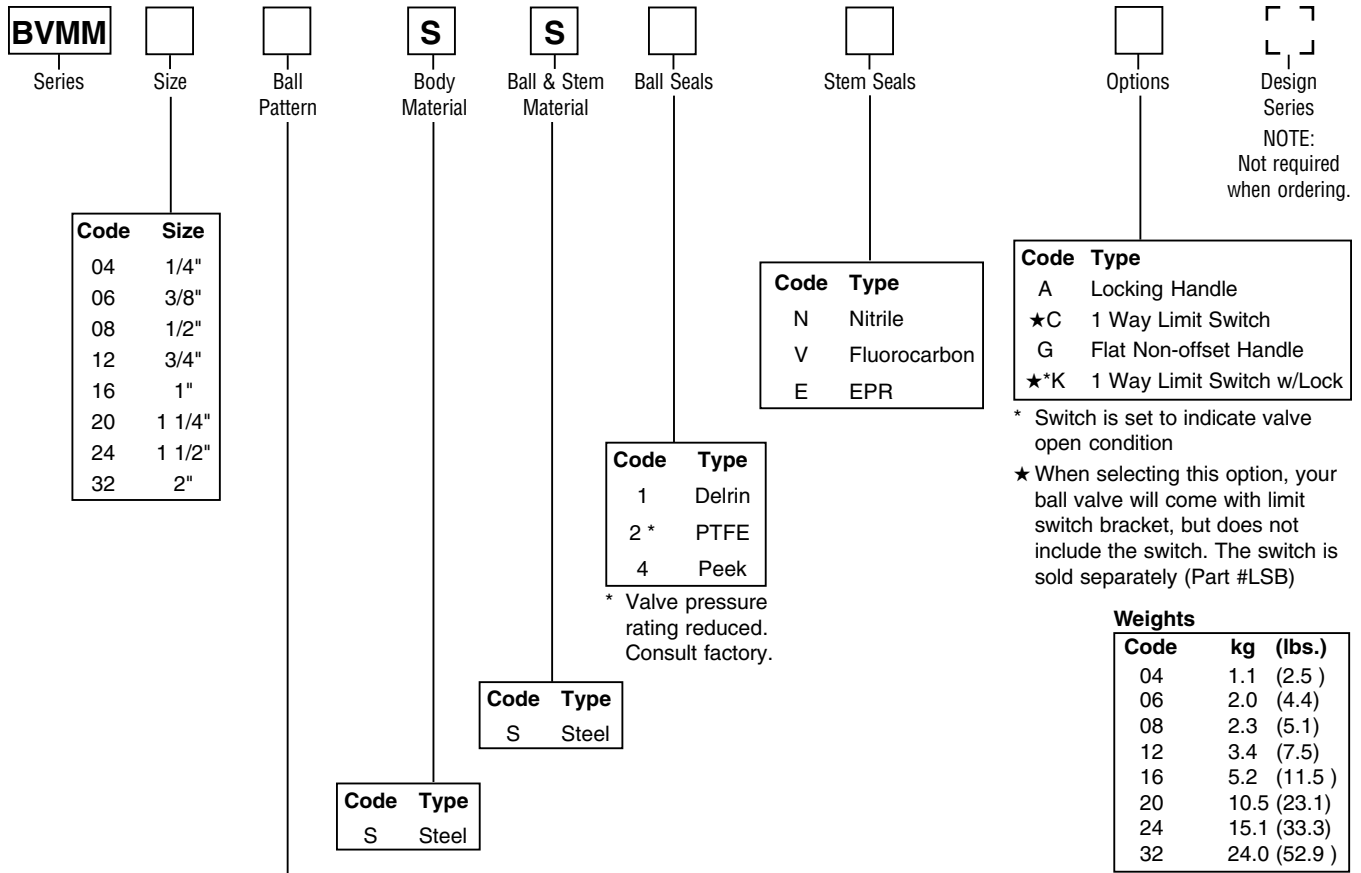


**Features**

- Variety of ball patterns allow for different flow paths and flexibility for many applications.
- Thrust bearings in the spindle and delrin moly ball seals result in low actuation torque as well as extended service life.

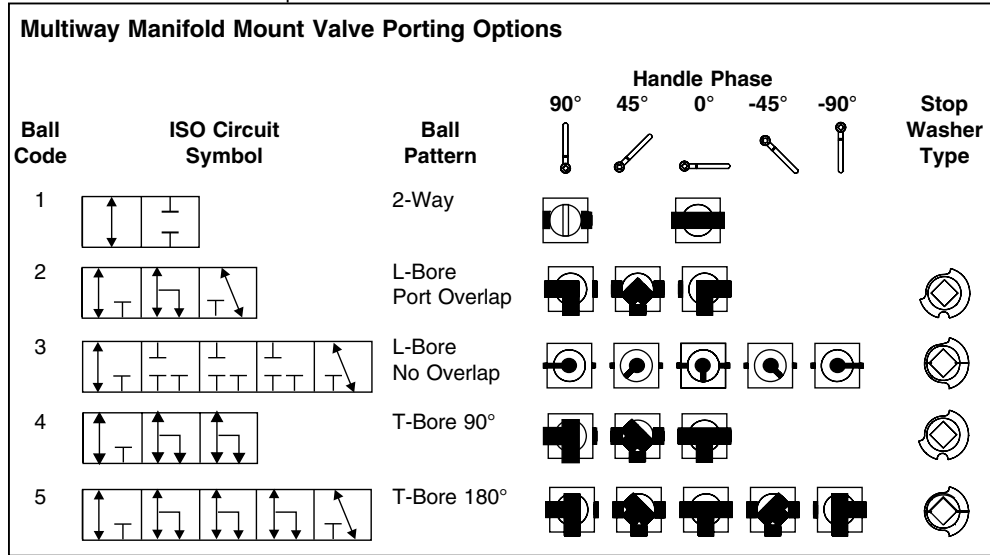
**Performance Curves**





**Weights**

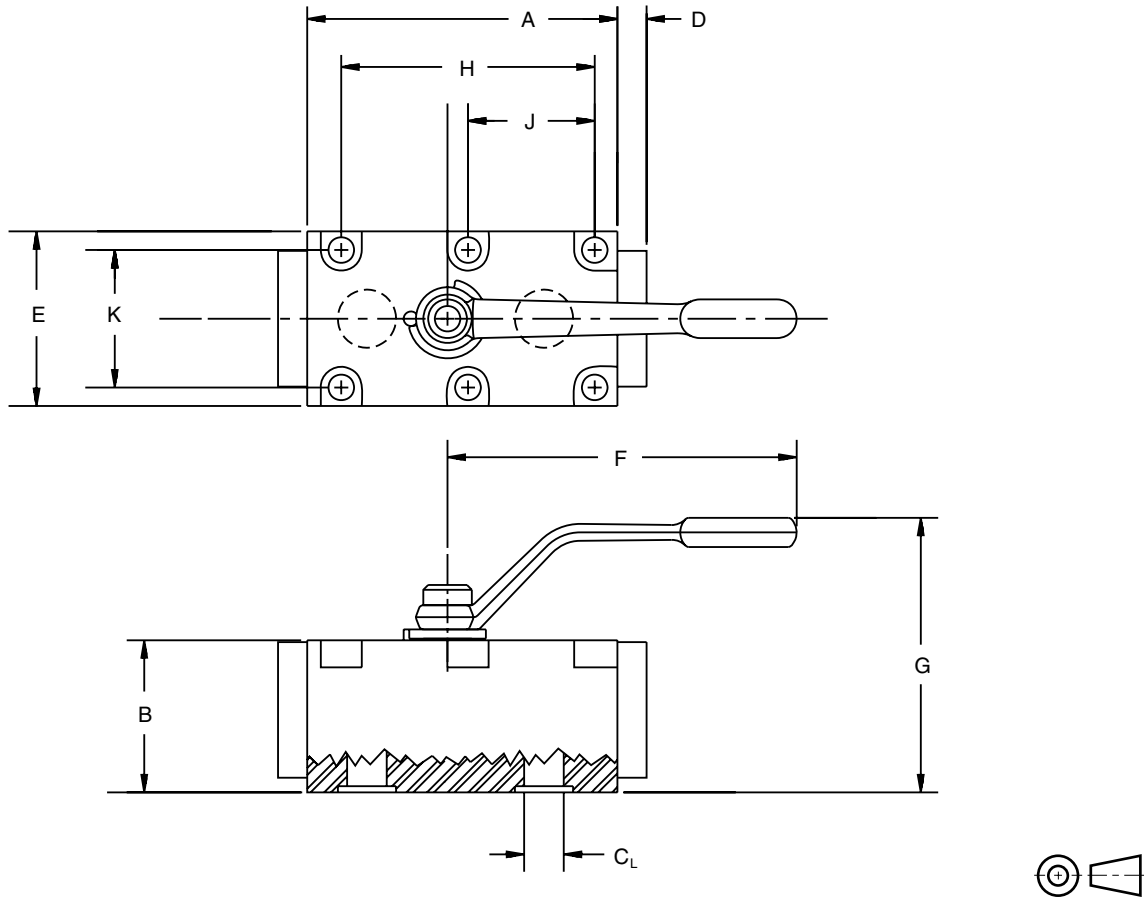
Code	kg	(lbs.)
04	1.1	(2.5)
06	2.0	(4.4)
08	2.3	(5.1)
12	3.4	(7.5)
16	5.2	(11.5)
20	10.5	(23.1)
24	15.1	(33.3)
32	24.0	(52.9)



Please request a certified print before building a manifold.

For 3-way valves, pressure is applied to Port 1.

**Manifold Mounted**



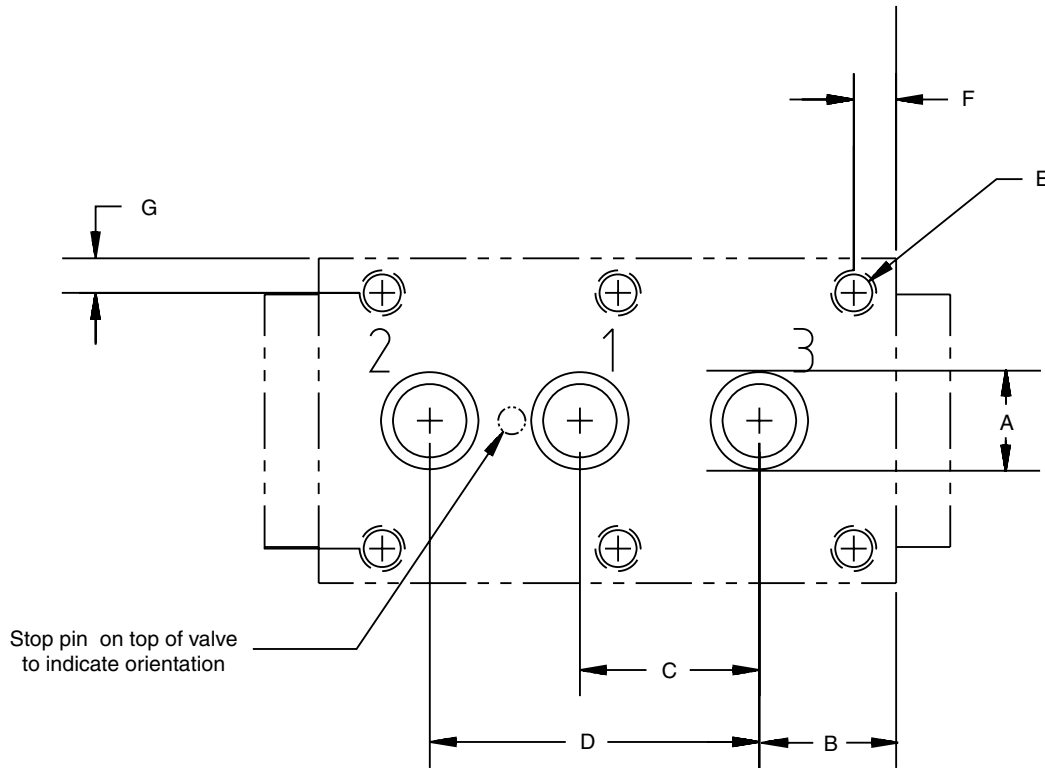
Please request a certified print before building a manifold.

Code	Port Size	Working Pressure	Dimensions mm (in)									
			A	B	C <sub>L</sub>	D	E	F	G	H	J	K
<b>BVMM 2-Way and 3-Way Manifold Mounted</b>												
04 <sup>1</sup>	1/4"	414 Bar (6000 PSI)	66.5 (2.62)	38.1 (1.50)	6.1 (0.24)	9.5 (0.375)	50.8 (2.00)	114.3 (4.50)	78.2 (3.08)	42.0 (1.653)	n/a (n/a)	35.0 (1.377)
06 <sup>1</sup>	3/8"	414 Bar (6000 PSI)	81.8 (3.22)	50.0 (1.97)	9.7 (0.38)	9.5 (0.375)	57.2 (2.25)	114.3 (4.50)	90.2 (3.55)	55.0 (2.165)	n/a (n/a)	40.0 (1.575)
08	1/2"	414 Bar (6000 PSI)	106.1 (4.00)	50.0 (1.97)	13.0 (0.51)	9.5 (0.375)	57.2 (2.25)	114.3 (4.50)	89.9 (3.54)	83.0 (3.267)	41.5 (1.634)	45.0 (1.771)
12	3/4"	414 Bar (6000 PSI)	141.5 (5.57)	69.3 (2.73)	20.1 (0.79)	9.5 (0.375)	69.9 (2.75)	177.8 (7.00)	131.6 (5.18)	97.0 (3.818)	48.5 (1.909)	51.0 (2.007)
16	1"	414 Bar (6000 PSI)	156.5 (6.16)	81.0 (3.19)	23.9 (0.94)	9.5 (0.375)	82.6 (3.25)	177.8 (7.00)	143.0 (5.63)	115.0 (4.528)	57.5 (2.264)	60.0 (2.362)
20	1 1/4"	414 Bar (6000 PSI)	180.3 (7.10)	100.1 (3.94)	31.8 (1.25)	12.7 (0.50)	101.6 (4.00)	254.0 (10.00)	179.1 (7.05)	136.0 (5.354)	68.0 (2.677)	78.0 (3.070)
24	1 1/2"	414 Bar (6000 PSI)	196.1 (7.72)	100.3 (3.95)	38.1 (1.50)	17.5 (0.69)	127.0 (5.00)	254.0 (10.00)	179.6 (7.07)	112.0 (4.409)	55.9 (2.199)	95.0 (3.740)
32	2"	414 Bar (6000 PSI)	246.9 (9.72)	124.0 (4.88)	47.8 (1.88)	22.4 (0.88)	152.4 (6.00)	254.0 (10.00)	202.9 (7.99)	136.0 (5.354)	68.2 (2.684)	112.0 (4.409)

**NOTES:** (1) These sizes use only the four outside mounting holes. Dimension J is not applicable.  
 (2) Ball portings for multiway valves are somewhat smaller than their 2-way counterparts. Please refer to dimension C to confirm suitability.



**Manifold Porting Specifications**



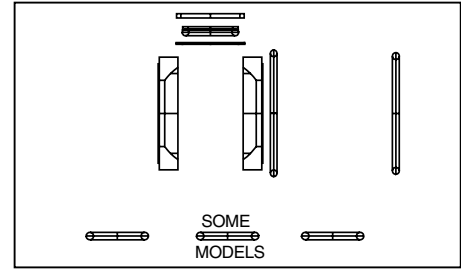
**For 3-way valves, pressure is applied to Port 1.**

**Please request a certified print before building a manifold.**

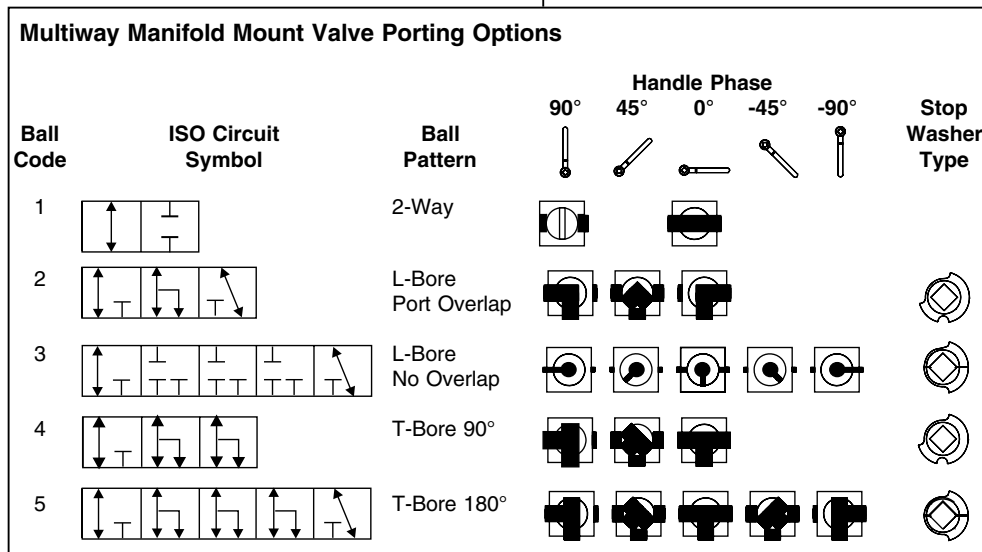
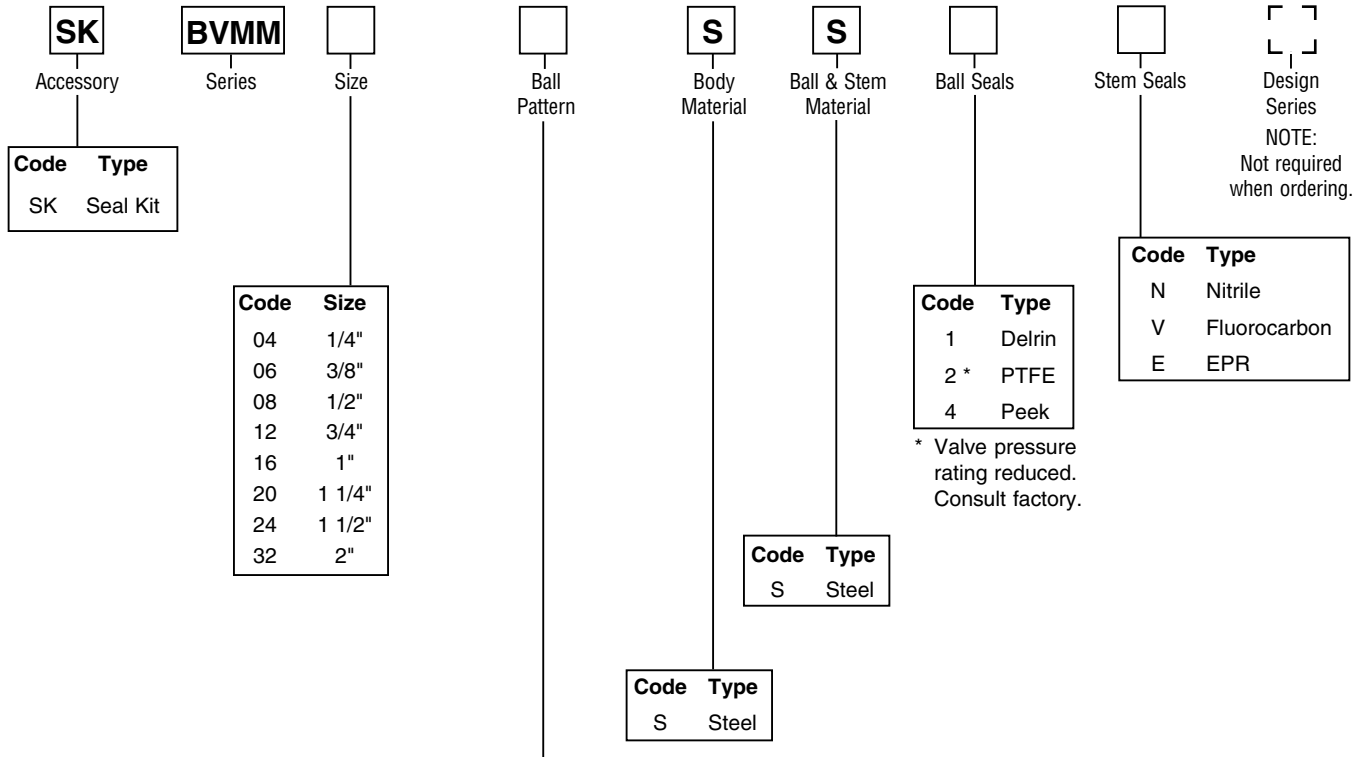
Code	Port Size	A	B	C	D	E	F	G
<b>BVMM Mounting Pad Specifications</b>								
04	1/4"	12.7 (0.500)	16.3 (0.642)	17.0 (0.670)	39.0 (1.535)	8.4 (0.330)	15.5 (0.612)	7.9 (0.312)
06	3/8"	15.9 (0.625)	21.8 (0.860)	19.1 (0.750)	44.0 (1.732)	8.4 (0.330)	19.6 (0.770)	8.6 (0.340)
08	1/2"	19.1 (0.750)	24.1 (0.947)	31.6 (1.243)	58.0 (2.283)	8.4 (0.330)	7.4 (0.293)	6.1 (0.240)
12	3/4"	27.0 (1.063)	40.5 (1.594)	38.3 (1.506)	69.0 (2.716)	10.4 (0.410)	22.7 (0.892)	9.4 (0.372)
16	1"	33.4 (1.313)	39.3 (1.549)	43.0 (1.692)	81.0 (3.188)	13.0 (0.510)	19.3 (0.760)	11.3 (0.444)
20	1 1/4"	39.7 (1.563)	40.1 (1.580)	50.0 (1.970)	96.0 (3.780)	13.0 (0.510)	17.2 (0.676)	11.8 (0.465)
24	1 1/2"	47.6 (1.875)	42.2 (1.661)	55.9 (2.199)	112.0 (4.409)	16.8 (0.660)	42.2 (1.661)	16.0 (0.630)
32	2"	57.2 (2.250)	55.3 (2.176)	68.2 (2.684)	136.0 (5.354)	20.6 (0.810)	55.3 (2.178)	20.2 (0.796)

Ball Valve Seal Kits restore a ball valve to factory specifications, providing no erosion or metal-to-metal wear has taken place.

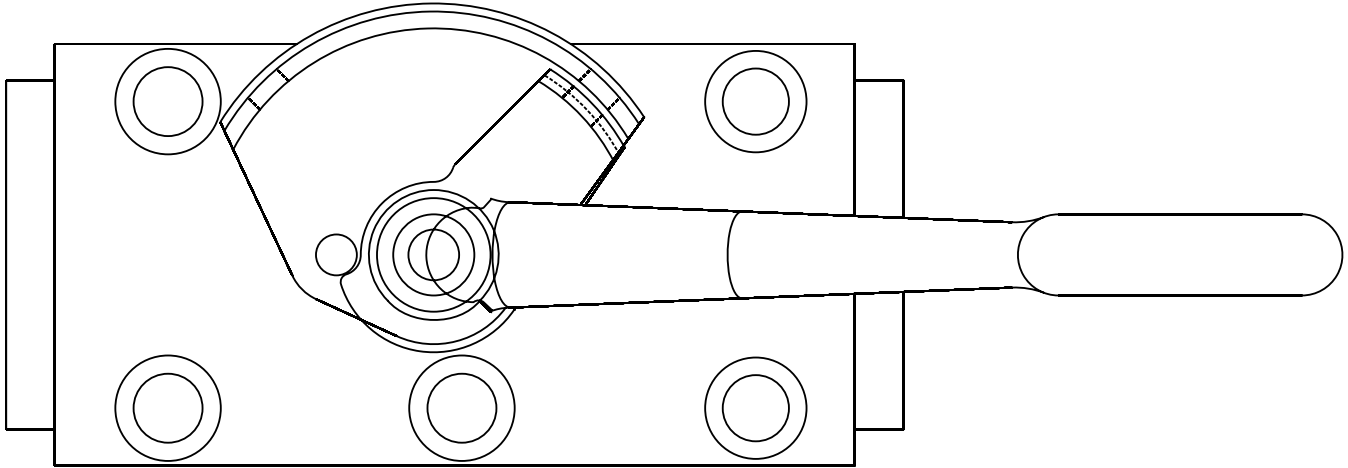
The Seal Kit includes all the o-rings, ball seals and thrust bearings that were originally installed at the factory. A sketch of these parts is provided at the right.



**Ordering Information**



**BVMM2LK:** Standard Series 'BVMM2LK-\*' kit replaces the stopwasher with a stationary and moving plate, as illustrated below. As the handle is actuated, the moving plate aligns with one of the two locking positions in the stationary plate, enabling the valve to be locked in either **fully closed** or **fully open** position.



**Ordering Information**

BVMM		Standard Locking
Code	Size	(Part Number)
04	1/4"	BVMM2LK-1
06	3/8"	BVMM2LK-2
08	1/2"	BVMM2LK-3
12	3/4"	BVMM2LK-4
16	1"	BVMM2LK-5
20	1 1/4"	BVMM2LK-6
24	1 1/2"	BVMM2LK-7
32	2"	BVMM2LK-8