

# Solenoid valves JMEBH, ISO 5599-1



Technical data – 5/2-way valves, double solenoid

**Flow rate**

1200 ... 4500 l/min

**Voltage**

24 V DC



General technical data			
ISO size	1	2	3
Valve function	5/2-way, double solenoid		
Constructional design	Piston spool		
Sealing principle	Soft		
Actuation type	Electrical		
Type of pilot control	Piloted		
Pilot air supply	Internal or external		
Direction of flow	Non-reversible		
Exhaust function	With flow control		
Manual override	Via accessory, detenting		
Type of mounting	Via through-holes		
Mounting position	Any		
Nominal size	[mm] 8	11	14.5
Standard nominal flow rate	[l/min] 1200	2300	4500
Grid dimension	[mm] 43	56	71
Pneumatic connection on sub-base	G1/4	G3/8	G1/2
Product weight	[g] 600	770	1080
Noise level	[dB (A)] 85		

Operating and environmental conditions	
Operating medium	Compressed air in accordance with ISO 8573-1:2010 [7:4:4]
Pilot medium	Compressed air in accordance with ISO 8573-1:2010 [7:4:4]
Note on operating/pilot medium	Operation with lubricated medium possible (in which case lubricated operation will always be required)
Operating pressure	Internal pilot air supply [bar] 2 ... 10
	External pilot air supply [bar] -0.9 ... +16
Pilot pressure	[bar] 2 ... 10
Ambient temperature	[°C] -5 ... +50
Temperature of medium	[°C] -5 ... +50

Valve response times [ms]						
ISO size	1		2		3	
		Dominant signal at 14		Dominant signal at 14		Dominant signal at 14
With EB solenoid coil						
Changeover	12	13	15	23	16	20

# Solenoid valves JMEBH, ISO 5599-1

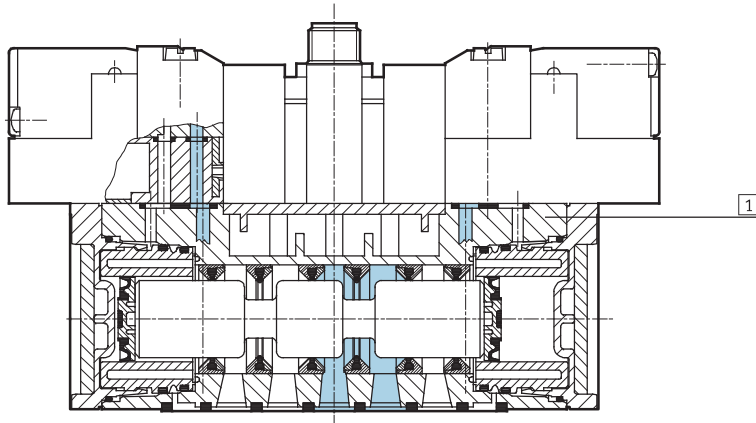
FESTO

Technical data – 5/2-way valves, double solenoid

Electrical data			
EB solenoid coil			
Electrical connection	Design	Central plug, round design, M12x1	
Operating voltage	D.C. voltage	[V DC]	24
Coil characteristics	D.C. voltage	[W]	2.5
Protection class to EN 60 529			IP65

## Materials

Sectional view



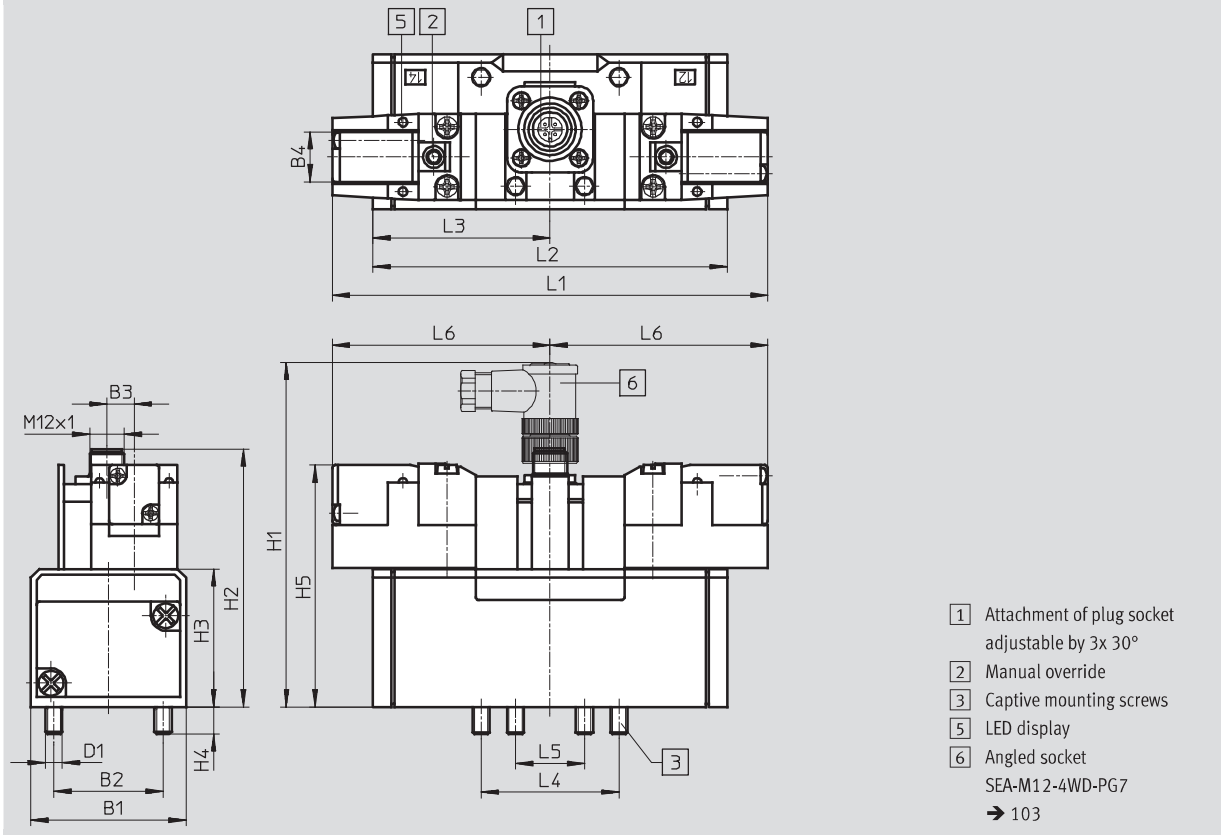
1	Housing	Die-cast aluminium, polyacetate
-	Seals	Nitrile rubber

# Solenoid valves JMEBH, ISO 5599-1

Technical data – 5/2-way valves, double solenoid

## Dimensions

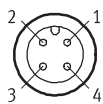
Download CAD Data → [www.festo.com/us/cad](http://www.festo.com/us/cad)



ISO size	B1	B2	B3	B4	D1	H1	H2	H3	H4	H5	L1	L2	L3	L4	L5	L6
1	42	28	6	17.5	M5	110	80.3	38	9	74.7	134	87.6	43.8	36	18	67
2	54	38	9	17.5	M6	120	90.1	48	9.5	84.2	151.8	123.4	61.7	48	24	75.9
3	65	48	12	17.5	M8	130	97.8	55	12	93.1	171.9	145.4	72.7	64	32	86

### M12 central plug – Terminal allocation

Duo connection



- 1 Unused
- 2 Signal (+) Solenoid 12
- 3 com (-)
- 4 Signal (+) Solenoid 14

# Solenoid valves JMEBH, ISO 5599-1



Technical data – 5/2-way valves, double solenoid

Ordering data					
Circuit symbol	Solenoid coil	Voltage	ISO size	Part No.	Type
	With EB solenoid coil, with central plug, internal pilot air supply	24 V DC	1	<b>184495</b>	<b>JMEBH-5/2-D-1-ZSR-C</b>
			2	<b>184502</b>	<b>JMEBH-5/2-D-2-ZSR-C</b>
			3	<b>184509</b>	<b>JMEBH-5/2-D-3-ZSR-C</b>
	With EB solenoid coil, with central plug, internal pilot air supply, with dominant signal at 14	24 V DC	1	<b>184496</b>	<b>JMEBDH-5/2-D-1-ZSR-C</b>
			2	<b>184503</b>	<b>JMEBDH-5/2-D-2-ZSR-C</b>
			3	<b>184510</b>	<b>JMEBDH-5/2-D-3-ZSR-C</b>