

# Solenoid valves JMDH-M12, ISO 5599-1

FESTO

Technical data – 5/2-way valves, double solenoid

Flow rate

1,200 ... 4,500 l/min

Voltage

24 V DC



General technical data			
ISO size	1	2	3
Valve function	5/2-way, bistable		
Design	Piston spool		
Sealing principle	Soft		
Actuation type	Electrical		
Type of actuation	Piloted		
Pilot air supply	Internal		
Direction of flow	Non-reversible		
Exhaust function	Restrictable		
Manual override	Via tool accessory, detenting		
Type of mounting	Via through-holes		
Mounting position	Any		
Nominal size	[mm] 8	11	14.5
Standard nominal flow rate	[l/min] 1,200	2,300	4,000
Grid dimension	[mm] 43	56	71
Pneumatic connection on sub-base	G1/4	G3/8	G1/2
Product weight	[g] 550	810	1,100

Operating and environmental conditions			
Operating medium	Compressed air in accordance with ISO 8573-1:2010 [7:4:4]		
Note on operating/pilot medium	Operation with lubricated medium possible (in which case lubricated operation will always be required)		
Operating pressure	internal pilot air supply	[bar]	2 ... 10
Ambient temperature		[°C]	-10 ... +50
Temperature of medium		[°C]	-10 ... +50

Valve response times			
ISO size	1	2	3
D solenoid coil with round plug M12x1			
	[ms] 18	22	25

# Solenoid valves JMDH-M12, ISO 5599-1

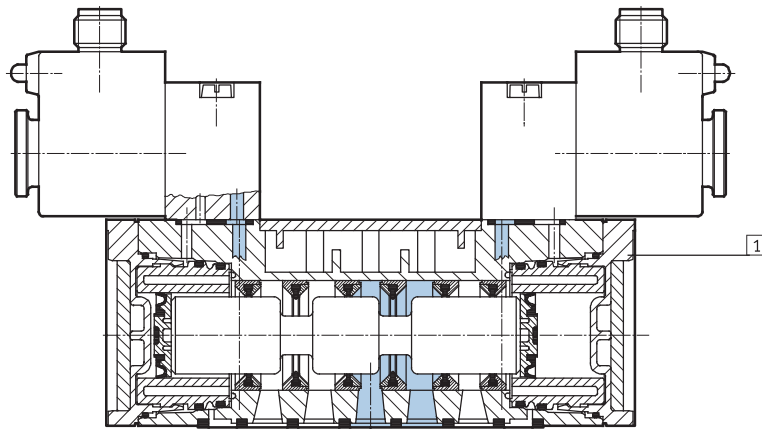
FESTO

Technical data – 5/2-way valves, double solenoid

Electrical data			
D solenoid coil with round plug			
Electrical connection	Type		M12X1
Coil characteristics	D.C. voltage	[V DC]	21.6...26.4
	Power	[Watt]	2.7
Duty cycle		%	100
Protection class to EN 60 529			IP65

## Materials

Sectional view



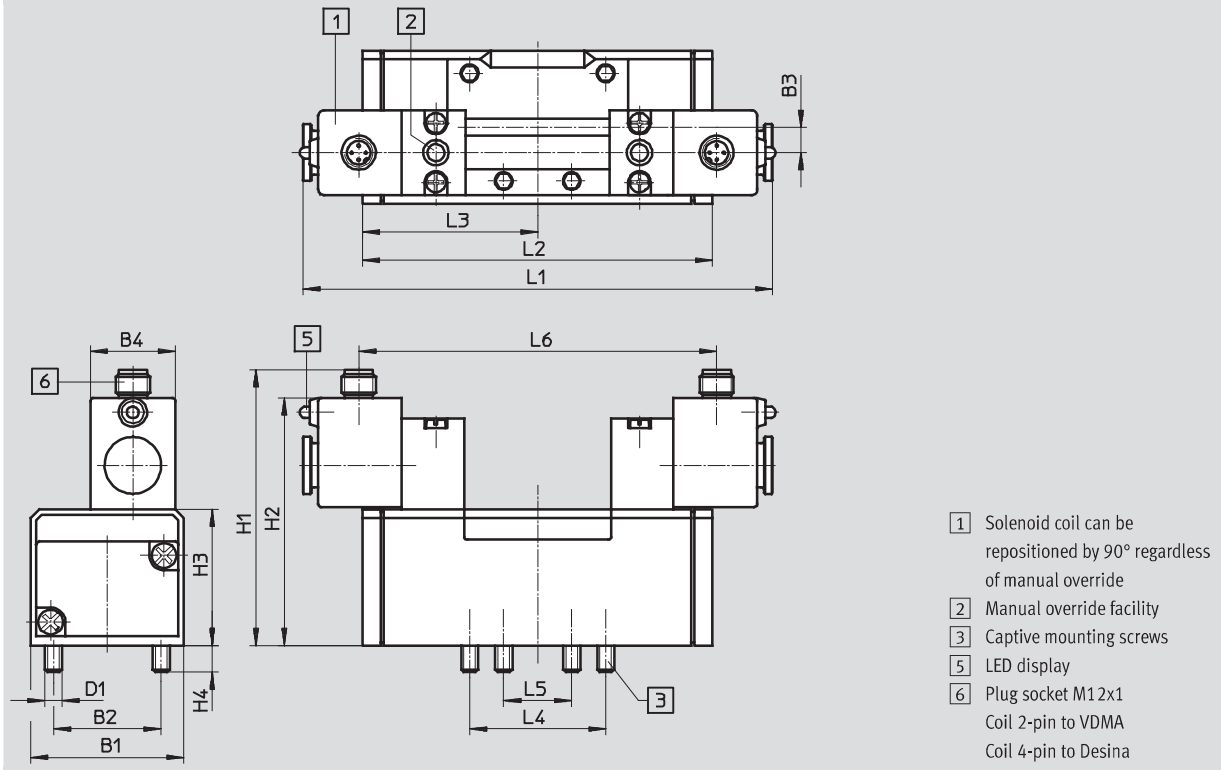
1	Body	Die-cast aluminium, polyacetate
-	Seals	Nitrile rubber

# Solenoid valves JMDH-M12, ISO 5599-1

Technical data – 5/2-way valves, double solenoid

## Dimensions

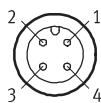
Download CAD Data → [www.festo.com/us/cad](http://www.festo.com/us/cad)



- 1 Solenoid coil can be repositioned by 90° regardless of manual override
- 2 Manual override facility
- 3 Captive mounting screws
- 5 LED display
- 6 Plug socket M12x1  
Coil 2-pin to VDMA  
Coil 4-pin to Desina

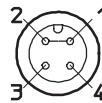
ISO size	B1	B2	B3	B4	D1	H1	H2	H3	H4	L1	L2	L3	L4	L5	L6
1	42	28	6	30	M5	87.2	77.2	38	9	148	87.6	43.8	36	18	108.5
2	54	38	9	30	M6	97.2	87.2	48	9.5	165.8	123.4	61.7	48	24	126.3
3	65	48	12	30	M8	104.2	94.2	55	12	186.4	145.4	72.7	64	32	146.9

### M12 plug – Pin allocation 2-pin to VDMA



- 1 Unused
- 2 Unused
- 3 com (-)
- 4 Signal (+)

### M12 plug – Pin allocation 4-pin to Desina



- 1 connected with 2
- 2 connected with 1
- 3 com (-)
- 4 Signal (+)

# Solenoid valves JMDH-M12, ISO 5599-1



Technical data – 5/2-way valves, double solenoid

Ordering data				
Circuit symbol	Description	ISO size	Part No.	Type
	Pilot air supply: – internal	Coil 2-pin to VDMA	1	532687 JMDH-5/2-D-1-M12-C
			2	533013 JMDH-5/2-D-2-M12-C
			3	533015 JMDH-5/2-D-3-M12-C
		Coil 4-pin to Desina	1	540809 JMDH-5/2-D-1-M12D-C
			2	540818 JMDH-5/2-D-2-M12D-C
			3	540825 JMDH-5/2-D-3-M12D-C
	Pilot air supply: – internal  Dominant: – signal at 14	Coil 2-pin to VDMA	1	539079 JMDDH-5/2-D-1-M12-C
			2	539077 JMDDH-5/2-D-2-M12-C
			3	539081 JMDDH-5/2-D-3-M12-C
		Coil 4-pin to Desina	1	540808 JMDDH-5/2-D-1-M12D-C
			2	540817 JMDDH-5/2-D-2-M12D-C
			3	540824 JMDDH-5/2-D-3-M12D-C