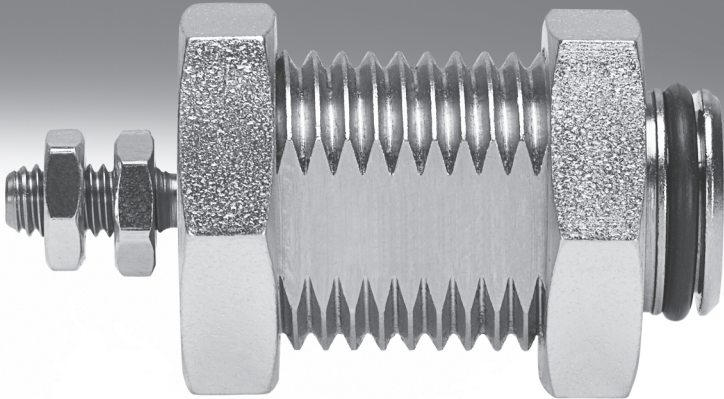
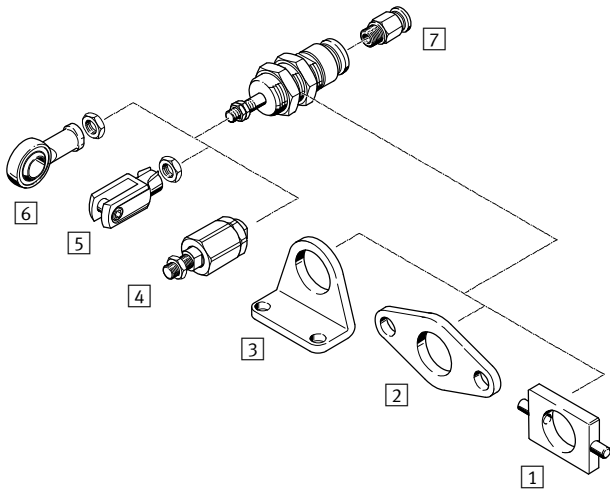


Cartridge cylinders EGZ

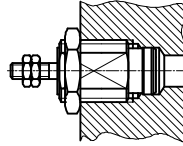


Cartridge cylinders EGZ

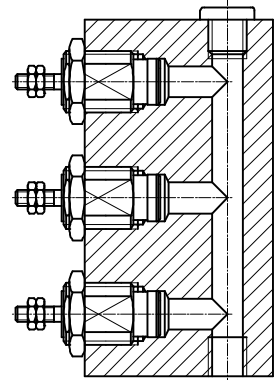
Peripherals overview and type codes



Installation without mounting attachments



Minimal installation space required



Mounting attachments and accessories					
	Description	Piston Ø 6 mm	Piston Ø 10 mm	Piston Ø 16 mm	→ Page/Internet
1	Swivel mounting WBN	–	■	■	6
2	Flange mounting FBN	–	■	■	5
3	Foot mounting HBN	–	■	■	5
4	Self-aligning rod coupler FK	–	■	■	6
5	Rod clevis SG	–	■	–	6
6	Rod eye SGS	–	■	–	6
7	Push-in fitting QS	■	■	■	qs

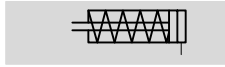
EGZ		–	16	–	10
Type					
Single acting, pushing					
EGZ	Cartridge cylinder				
Piston Ø [mm]					
Stroke [mm]					

Cartridge cylinders EGZ

Technical data

FESTO

Function



- \varnothing - Diameter
6 ... 16 mm
- | - Stroke length
5 ... 15 mm



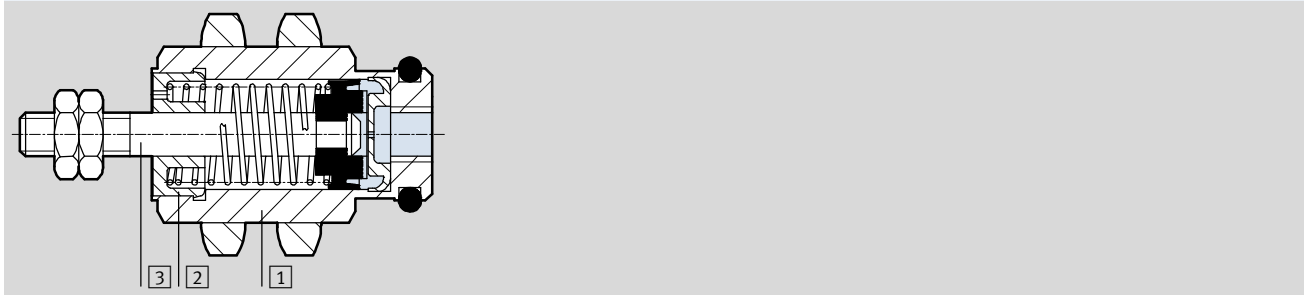
General technical data			
Piston \varnothing	6	10	16
Pneumatic connection	M3	M5	M5
End of piston rod	Male thread	M3	M4
End of piston rod		M4	M5
Operating medium	Compressed air in accordance with ISO 8573-1:2010 [7:--:-]		
Constructional design	Piston Piston rod		
Cushioning	None		
Position sensing	None		
Type of mounting	With lock nut With accessories		
Mounting position	Any		

Operating and environmental conditions			
Piston \varnothing	6	10	16
Operating pressure	[bar]	2 ... 8	
Ambient temperature	[°C]	-20 ... +80	

Forces and permitted applied load [N]									
Piston \varnothing	6			10			16		
Stroke	5	10	15	5	10	15	5	10	15
Theoretical force at 6 bar, advancing	14			42			109		
Spring return force	1.5	2.1	1.6	4	3.5	3	10	8.8	7.5
Maximum applied load at the piston rod	0.10			0.15			0.20		

Materials

Sectional view



Cylinder	
1	Housing Brass, nickel-plated
2	Cover Polyacetal
3	Piston rod High-alloy steel
-	Note on materials Conforms to RoHS

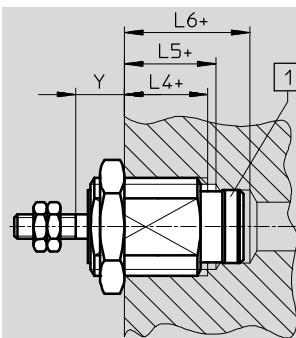
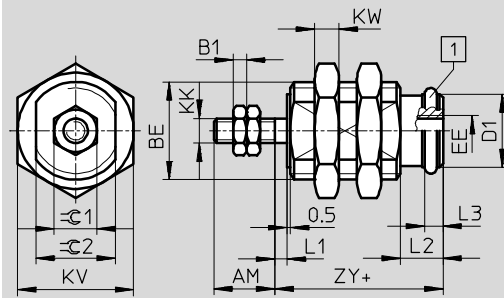
Cartridge cylinders EGZ

Technical data

FESTO

Dimensions

Download CAD data → www.festo.com



1 O-ring
+ = plus stroke length

∅	AM	B1	BE	D1 ∅ H7/f8	EE	KK	KV h13	KW	L1	L2	L3
6 ¹⁾	7	1.8	M10x1	7.6	M3	M3	13	3.5	1.5	6	2.4
6 ²⁾											
10	10	2.2	M16x1.5	12	M5	M4	19	4	2	7	3
16	12	2.7	M22x1.5	18.5	M5	M5	27	5	2	9	3.5

∅	L4	L5	L6	Y		ZY	C1 h13	C2 h13
	-Y +1	-Y -1	-Y +1	min.	max. + stroke			
6 ¹⁾	9	11	15.5	6	5	15	5.5	8
6 ²⁾	11	13	17.5	6	7	17		
10	11	13	18.5	7	6	17.5	7	13
16	13	16	21	8	6	20.5	8	19

- 1) 5 mm stroke
2) 10 and 15 mm stroke

Ordering data¹⁾

Stroke [mm]	Part No.	Type	Stroke [mm]	Part No.	Type
Piston ∅ 6 mm			Piston ∅ 10 mm		
5	15033	EGZ-6-5	5	15036	EGZ-10-5
10	15034	EGZ-6-10	10	15037	EGZ-10-10
15	15035	EGZ-6-15	15	15038	EGZ-10-15
Piston ∅ 16 mm					
5	15039	EGZ-16-5			
10	15040	EGZ-16-10			
15	15041	EGZ-16-15			

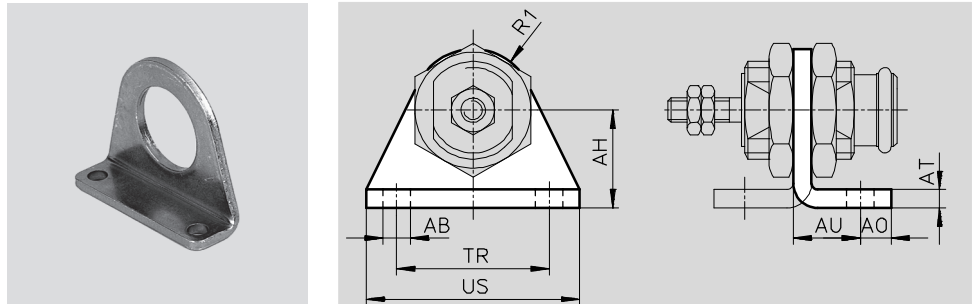
1) Two hex nuts each for the male cylinder thread and for the piston thread are included in the scope of delivery.

Cartridge cylinders EGZ

Accessories

Foot mounting HBN for piston Ø 10, 16 mm

Material:
Steel
Free of copper and PTFE
RoHS-compliant

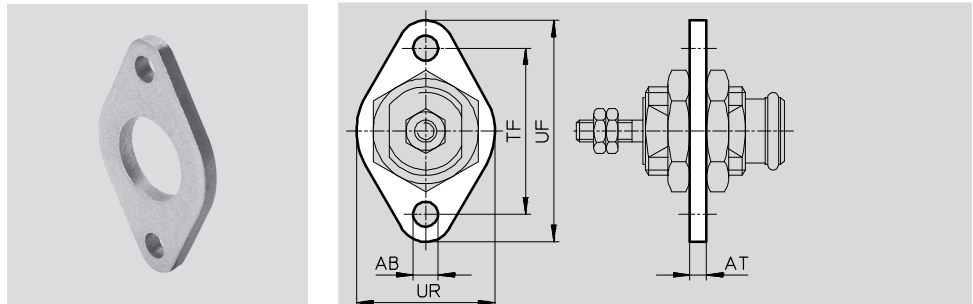


Dimensions and ordering data													
For Ø	Minimum stroke lengths	AB Ø	AH	AO	AT	AU	R1	TR	US	CRC ¹⁾	Weight [g]	Part No.	Type
10	5	5.5	20	6	4	14	13	32	42	1	43	5125	HBN-12/16X1
16	7	6.6	25	8	5	17	20	40	54	1	95	5127	HBN-20/25X1

1) Corrosion resistance class CRC 1 to Festo standard FN 940070
Low corrosion stress. For dry indoor applications or transport and storage protection. Also applies to parts behind covers, in the non-visible interior area, and parts which are covered in the application (e.g. drive trunnions).

Flange mounting FBN for piston Ø 10, 16 mm

Material:
Steel
Free of copper and PTFE



Dimensions and ordering data										
For Ø	Minimum stroke lengths	AB Ø	AT	TF	UF	UR	CRC ¹⁾	Weight [g]	Part No.	Type
10	5	5.5	4	40	53	30	1	26	5130	FBN-12/16
16	7	6.6	5	50	68	40	1	52	5131	FBN-20/25

1) Corrosion resistance class CRC 1 to Festo standard FN 940070
Low corrosion stress. For dry indoor applications or transport and storage protection. Also applies to parts behind covers, in the non-visible interior area, and parts which are covered in the application (e.g. drive trunnions).

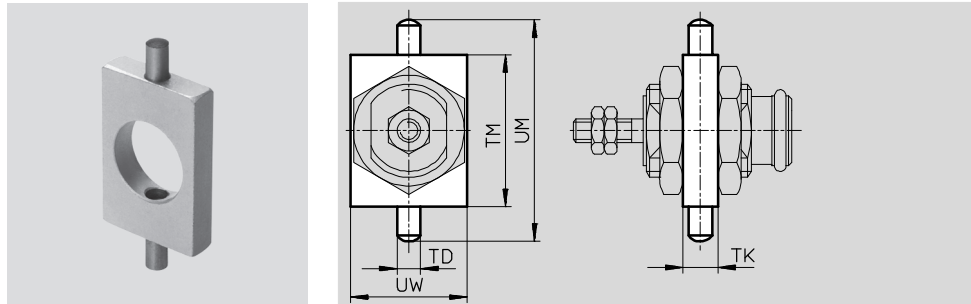
Cartridge cylinders EGZ

Accessories


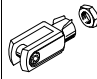
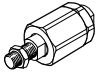
FESTO

Swivel mounting WBN for piston Ø 10, 16 mm

Material:
Tempered steel
Free of copper and PTFE
RoHS-compliant



Dimensions and ordering data									
For Ø	Minimum stroke lengths	TD Ø	TK	TM	UM	UW	Weight [g]	Part No.	Type
10	9	-0.01/-0.05	8	38	58	25	51	8609	WBN-12/16
16	10		8	46	66	30	67	8610	WBN-20/25

Ordering data – Piston rod attachments				Technical data → Internet: piston-rod attachment			
Designation	For Ø	Part No.	Type	Designation	For Ø	Part No.	Type
Rod eye SGS				Rod clevis SG			
	10	9253	SGS-M4		10	6532	SG-M4
Self-aligning rod coupler FK							
	10	6528	FK-M4				
	16	30984	FK-M5				

Festo - Your Partner in Automation



1 Festo Inc.
5300 Explorer Drive
Mississauga, ON L4W 5G4
Canada

Festo Customer Interaction Center
Tel: 1 877 463 3786
Fax: 1 877 393 3786
Email: customer.service.ca@festo.com

2 Festo Pneumatic
Av. Ceylán 3,
Col. Tequesquináhuac
54020 Tlalnepantla,
Estado de México

Multinational Contact Center
01 800 337 8669
ventas.mexico@festo.com

3 Festo Corporation
1377 Motor Parkway
Suite 310
Islandia, NY 11749

Festo Customer Interaction Center
1 800 993 3786
1 800 963 3786
customer.service.us@festo.com

4 Regional Service Center
7777 Columbia Road
Mason, OH 45040

Connect with us



www.festo.com/socialmedia



www.festo.com

Subject to change