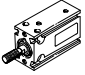
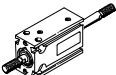
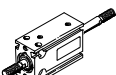
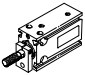
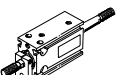
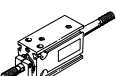
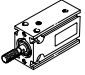
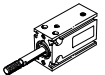
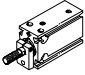
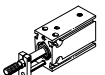


**Compact cylinders DMM/EMM, Multimount**



# Compact cylinders DMM/EMM, Multimount

Product range overview

Function	Version	Type	Piston Ø [mm]	Stroke [mm]	Position sensing
Double-acting	<b>Basic version</b>				
		DMM Piston rod at one end	10	5, 10, 15, 20, 25, 30	■
			16	5, 10, 15, 20, 25, 30, 40	
			20, 25, 32	5, 10, 15, 20, 25, 30, 40, 50	
		DMM...-S2 Through piston rod	10	5, 10, 15, 20, 25, 30	■
			16	5, 10, 15, 20, 25, 30, 40	
			20, 25, 32	5, 10, 15, 20, 25, 30, 40, 50	
		DMM...-S20 Through, hollow piston rod	16	5, 10, 15, 20, 25, 30, 40	■
			20, 25, 32	5, 10, 15, 20, 25, 30, 40, 50	
	<b>Non-rotating version</b>				
		DMML Piston rod at one end	10	5, 10, 15, 20, 25, 30	■
			16	5, 10, 15, 20, 25, 30, 40	
20, 25, 32			5, 10, 15, 20, 25, 30, 40, 50		
	DMML...-S2 Through piston rod	10	5, 10, 15, 20, 25, 30	■	
		16	5, 10, 15, 20, 25, 30, 40		
		20, 25, 32	5, 10, 15, 20, 25, 30, 40, 50		
	DMML...-S20 Through, hollow piston rod	16	5, 10, 15, 20, 25, 30, 40	■	
		20, 25, 32	5, 10, 15, 20, 25, 30, 40, 50		
Single-acting	<b>Basic version</b>				
		EMM Piston rod at one end, pushing	10, 16, 20, 25, 32	5, 10, 15	■
		EMMZ Piston rod at one end, pulling	10, 16, 20, 25, 32	5, 10, 15	■
<b>Non-rotating version</b>					
	EMML Piston rod at one end, pushing	10, 16, 20, 25, 32	5, 10, 15	■	
	EMMLZ Piston rod at one end, pulling	10, 16, 20, 25, 32	5, 10, 15	■	

# Compact cylinders DMM/EMM, Multimount

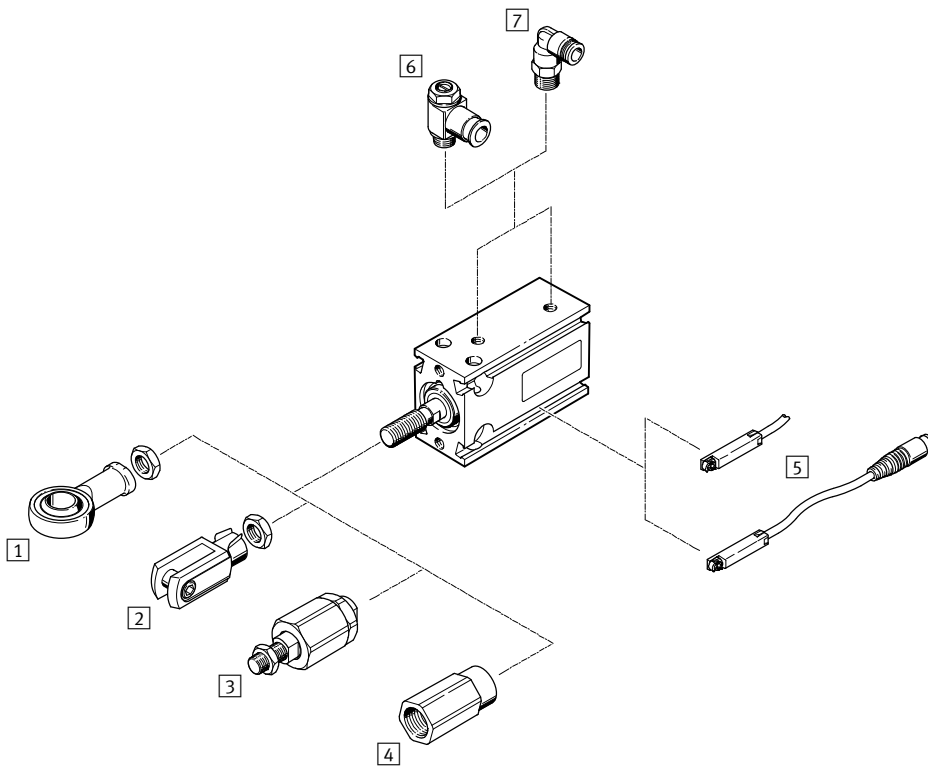
Product range overview

Type	Piston rod with male thread	S6 Heat resistant up to 120 °C	→ Page/Internet
<b>Basic version</b>			
<b>DMM</b> Piston rod at one end	■	■	7
<b>DMM-...-S2</b> Through piston rod	■	-	7
<b>DMM-...-S20</b> Through, hollow piston rod	■	-	7
<b>Non-rotating version</b>			
<b>DMML</b> Piston rod at one end	■	■	7
<b>DMML-...-S2</b> Through piston rod	■	-	7
<b>DMML-...-S20</b> Through, hollow piston rod	■	-	7
<b>Basic version</b>			
<b>EMM</b> Piston rod at one end, pushing	■	■	13
<b>EMMZ</b> Piston rod at one end, pulling	■	■	13
<b>Non-rotating version</b>			
<b>EMML</b> Piston rod at one end, pushing	■	■	13
<b>EMMLZ</b> Piston rod at one end, pulling	■	■	13

# Compact cylinders DMM/EMM, Multimount

Peripherals overview

FESTO



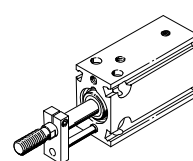
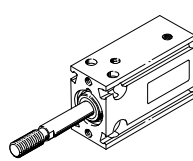
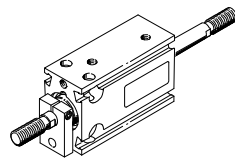
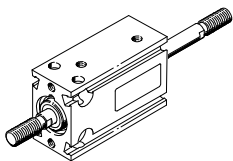
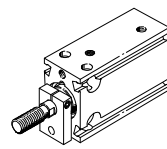
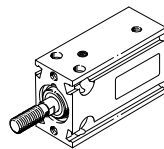
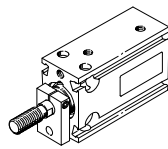
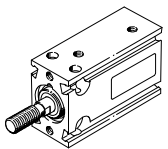
## Variants

**DMM**  
DMM-...-S2, DMM-...-S20

**DMML**  
DMML-...-S2, DMML-...-S20

**EMM**  
EMMZ

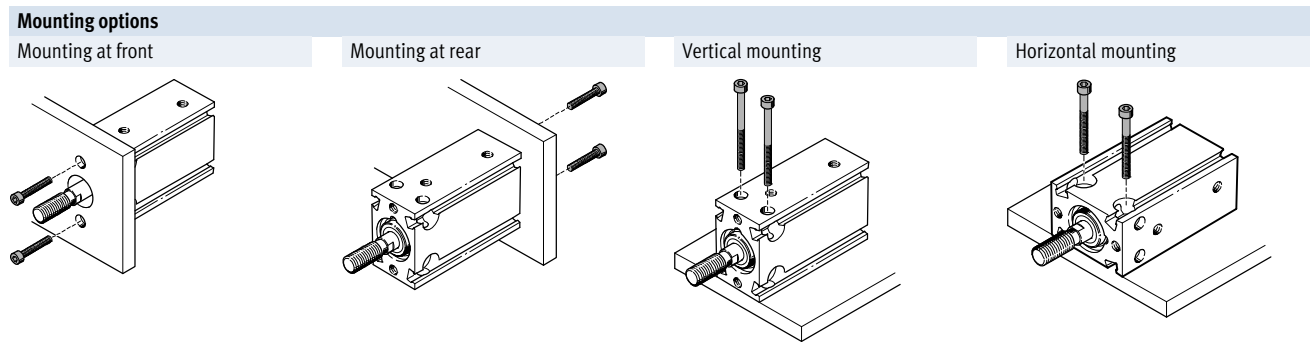
**EMML**  
EMMLZ



# Compact cylinders DMM/EMM, Multimount

Peripherals overview

Accessories						
	Brief description	DMM DMM-...-S2 DMM-...-S20	DMML DMML-...-S2 DMML-...-S20	EMM EMMZ	EMML EMMLZ	→ Page/Internet
1	Rod eye SGS	■	■	■	■	18
2	Rod clevis SG	■	■	■	■	18
3	Self-aligning rod coupler FK	■	■	■	■	18
4	Adapter AD	■ S20	■ S20	-	-	18
5	Proximity sensor SME/SMT-8	■	■	■	■	18
6	One-way flow control valve GRLA/GRLZ	■	■	■	■	19
7	Push-in connector QS	■	■	■	■	qs



# Compact cylinders DMM/EMM, Multimount

Type code

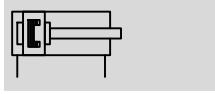
DMML – 25 – 30 – P – A – S2

Type	
Double-acting	
DMM	Basic version
DMML	Non-rotating version
Single-acting	
EMM	Basic version
EMMZ	Basic version, pulling
EMML	Non-rotating version
EMMLZ	Non-rotating version, pulling
Piston Ø [mm]	
Stroke [mm]	
Cushioning	
P	Flexible cushioning rings/plates at both ends
Position sensing	
A	For proximity sensing
Variant	
S2	Through piston rod
S6	Heat resistant up to 120 °C
S20	Through, hollow piston rod

# Compact cylinders DMM, Multimount

Technical data

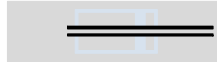
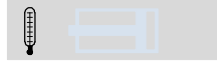
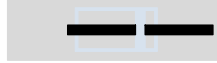
Function



- - Diameter  
10 ... 32 mm
- - Stroke length  
5 ... 50 mm

- - [www.festo.com](http://www.festo.com)

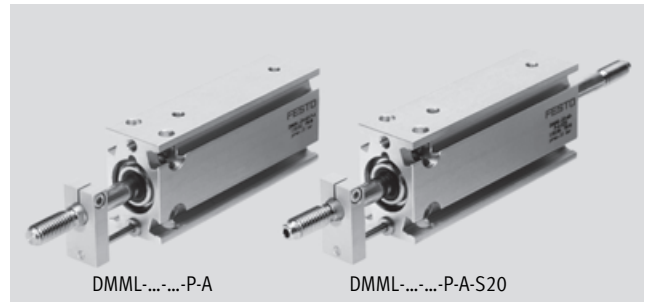
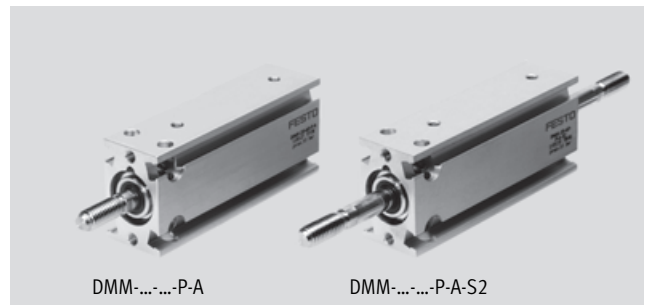
Variants



S2

S6

S20



General technical data					
Piston $\varnothing$	10	16	20	25	32
Pneumatic connection	M3	M5	M5	M5	G1/8
End of piston rod Male thread	M4	M6	M8	M10x1.25	M10x1.25
Operating medium	Compressed air in accordance with ISO 8573-1:2010 [7:4:4]				
Note on operating/pilot medium	Operation with lubricated medium possible (in which case lubricated operation will always be required)				
Max. operating pressure [bar]	10				
Constructional design	Piston				
	Piston rod				
Cushioning	Flexible cushioning rings/plates at both ends				
Position sensing	For proximity sensing				
Type of mounting	Via through holes				
	Via female thread				
Mounting position	Any				

Ambient conditions		
Variant	Basic version	S6
Ambient temperature <sup>1)</sup> [°C]	-20 ... +80	0 ... +120

1) Note operating range of proximity sensors

# Compact cylinders DMM, Multimount

Technical data

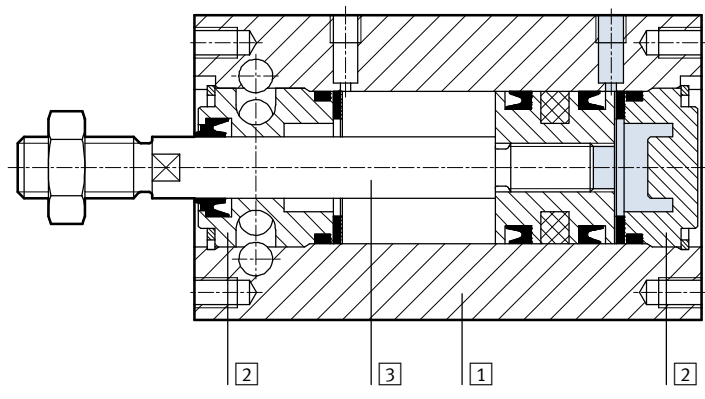
Forces [N] and impact energy [J]						
Piston $\varnothing$	10	16	20	25	32	
Theoretical force at 6 bar, advancing		47	121	188	295	483
	S2/S20	40	104	158	247	415
Theoretical force at 6 bar, retracting		40	104	158	247	415
	S2/S20	40	104	158	247	415
Max. impact energy at end positions	0.1	0.2	0.3	0.6	0.6	

Technical data – Protection against rotation					
Piston $\varnothing$	10	16	20	25	32
Max. torque at the piston rod <sup>1)</sup> [Nm]	0.02	0.01	0.01	0.015	0.02

1) The max. torque must not be exceeded even when fitting attachments.

## Materials

Sectional view



Compact cylinder	Basic version	S6
1 Housing	Wrought aluminium alloy	Wrought aluminium alloy
2 Plug cap	Brass	Brass
3 Piston rod	High-alloy stainless steel	High-alloy stainless steel
- Seals	Polyurethane	Fluorocarbon rubber



# Compact cylinders DMM, Multimount

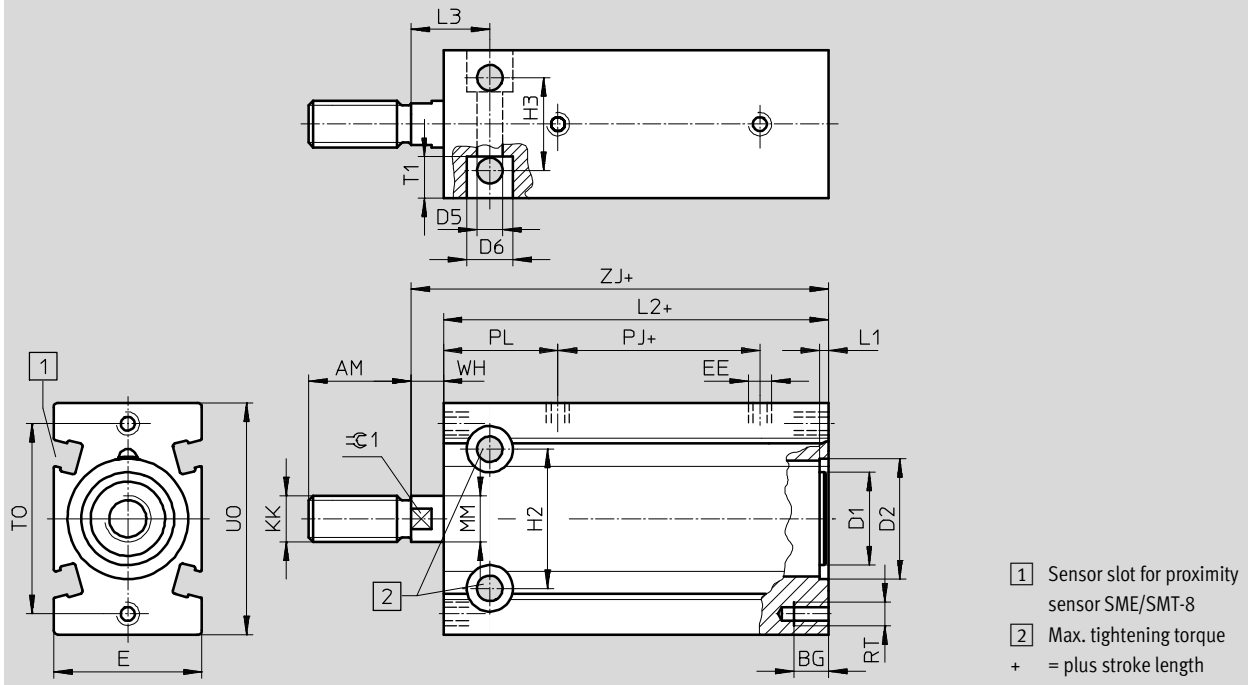
Technical data

FESTO

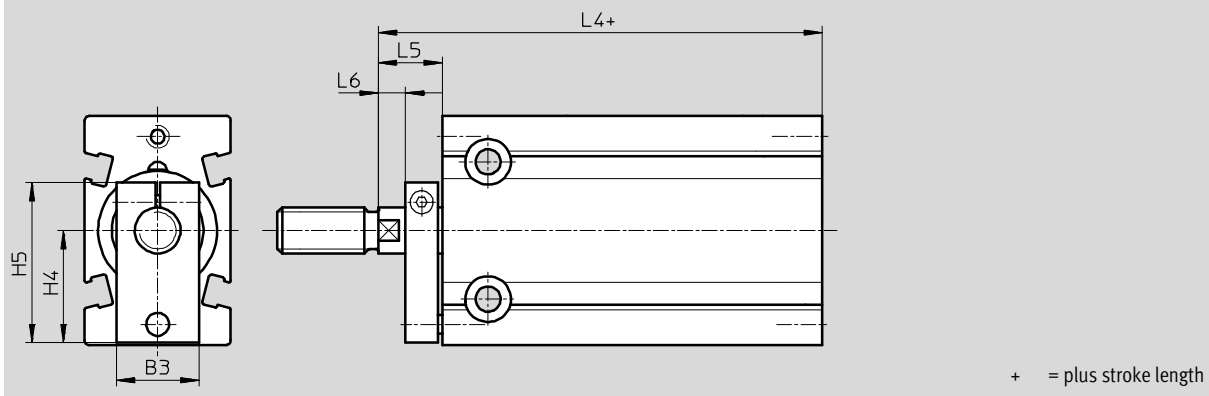
## Dimensions – Basic cylinder

Download CAD data → [www.festo.com](http://www.festo.com)

### Basic version DMM



### Non-rotating version DMML



∅	AM	B3	BG	D1	D2	D5	D6	E	EE	H2	H3	H4	H5	KK	L1	L2
[mm]			+0.5	∅	∅ H7	∅ +0.2	∅ +0.3									
10	12	14	5	–	10.8	3.4	6	15	M3	13	9	11	19.5	M4	0.9	48
16	16	15	6	12.9	17	4.3	7.5	20	M5	19	13	15.5	24	M6	0.9	52
20	20	15	7.5	16	21	5.5	10	26	M5	24	16	19.5	29	M8	1.9	55
25	22	18	7.5	20	26	5.5	10	32	M5	30	20	24.5	36	M10x1.25	1.9	58
32	22	20	9	26	33	6.6	11	40	G1/8	40	24	30.5	45	M10x1.25	1.9	62

∅	L3	L4	L5	L6	MM	PJ	PL	RT	T1	UO	T0	WH	ZJ	∅C1	Max. tightening torque
[mm]					∅									h13	[Nm] +10%
10	11	57	9	–	4	12	24	M3	5	25	19	2	50	–	1
16	13.5	64	12	3	6	16.5	22	M4	5.5	32	27	5	57	5	2.5
20	16	68	13	4	8	16.8	25.7	M5	8	40	33	6	61	7	3
25	17	72	14	5	10	18.5	24.7	M5	9	50	41	7	65	9	8
32	19	77	15	6	12	19	26	M6	11.5	62	52	8	70	10	9

# Compact cylinders DMM, Multimount

Technical data

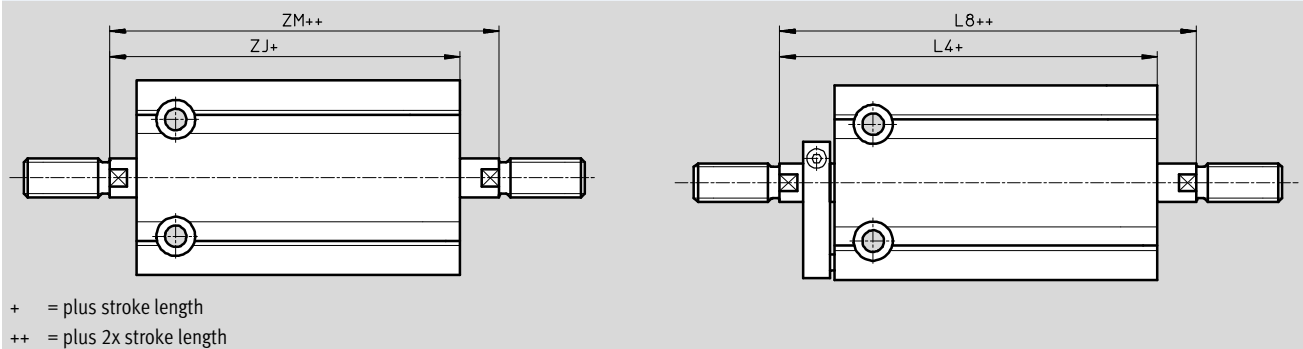
## Dimensions – Variants

Download CAD data → [www.festo.com](http://www.festo.com)

S2 – Through piston rod

Basic version DMM

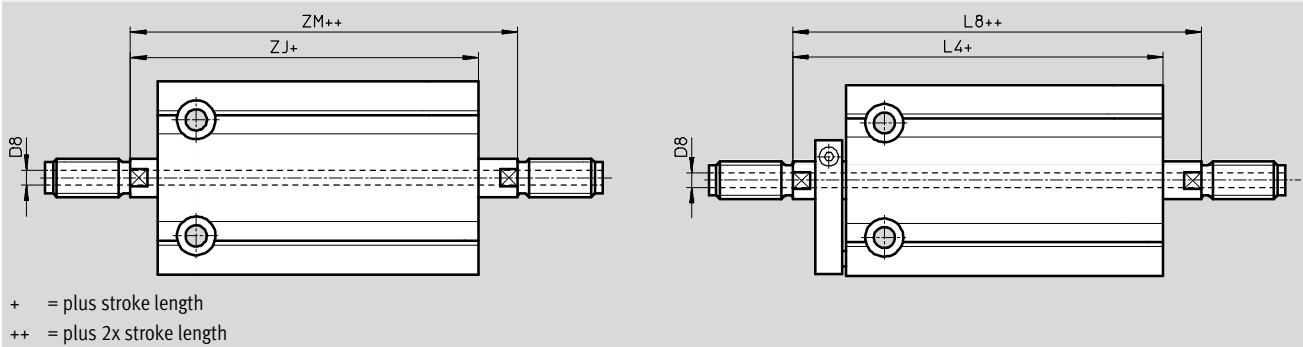
Non-rotating version DMML



S20 – Through, hollow piston rod

Basic version DMM


Non-rotating version DMML



∅	D8	L4	L8	ZJ	ZM
[mm]	∅				
10	–	57	59	50	52
16	2.3	64	69	57	62
20	3.2	68	74	61	67
25	3.8	72	79	65	72
32	4.5	77	85	70	78

# Compact cylinders DMM, Multimount

Technical data

Ordering data – Basic cylinder							
Type	Piston Ø [mm]	Stroke <sup>1)</sup> [mm]	Basic version DMM		Non-rotating version DMML		
			Part No.	Type	Part No.	Type	
	10	5	158502	DMM-10-5-P-A	158557	DMML-10-5-P-A	
		10	158503	DMM-10-10-P-A	158558	DMML-10-10-P-A	
		15	158504	DMM-10-15-P-A	158559	DMML-10-15-P-A	
		20	158505	DMM-10-20-P-A	158560	DMML-10-20-P-A	
		25	158506	DMM-10-25-P-A	158561	DMML-10-25-P-A	
		30	158507	DMM-10-30-P-A	158562	DMML-10-30-P-A	
	16	5	158511	DMM-16-5-P-A	158566	DMML-16-5-P-A	
		10	158512	DMM-16-10-P-A	158567	DMML-16-10-P-A	
		15	158513	DMM-16-15-P-A	158568	DMML-16-15-P-A	
		20	158514	DMM-16-20-P-A	158569	DMML-16-20-P-A	
		25	158515	DMM-16-25-P-A	158570	DMML-16-25-P-A	
		30	158516	DMM-16-30-P-A	158571	DMML-16-30-P-A	
		40	178210	DMM-16-40-P-A	178328	DMML-16-40-P-A	
	20	5	158521	DMM-20-5-P-A	158576	DMML-20-5-P-A	
		10	158522	DMM-20-10-P-A	158577	DMML-20-10-P-A	
		15	158523	DMM-20-15-P-A	158578	DMML-20-15-P-A	
		20	158524	DMM-20-20-P-A	158579	DMML-20-20-P-A	
		25	158525	DMM-20-25-P-A	158580	DMML-20-25-P-A	
		30	158526	DMM-20-30-P-A	158581	DMML-20-30-P-A	
		40	158527	DMM-20-40-P-A	158582	DMML-20-40-P-A	
		50	158528	DMM-20-50-P-A	158583	DMML-20-50-P-A	
	25	5	158533	DMM-25-5-P-A <sup>2)</sup>	158588	DMML-25-5-P-A <sup>2)</sup>	
		10	158534	DMM-25-10-P-A <sup>2)</sup>	158589	DMML-25-10-P-A <sup>2)</sup>	
		15	158535	DMM-25-15-P-A <sup>2)</sup>	158590	DMML-25-15-P-A <sup>2)</sup>	
		20	158536	DMM-25-20-P-A <sup>2)</sup>	158591	DMML-25-20-P-A <sup>2)</sup>	
25		158537	DMM-25-25-P-A <sup>2)</sup>	158592	DMML-25-25-P-A <sup>2)</sup>		
30		158538	DMM-25-30-P-A <sup>2)</sup>	158593	DMML-25-30-P-A <sup>2)</sup>		
40		158539	DMM-25-40-P-A <sup>2)</sup>	158594	DMML-25-40-P-A <sup>2)</sup>		
50		158540	DMM-25-50-P-A <sup>2)</sup>	158595	DMML-25-50-P-A <sup>2)</sup>		
32	5	158545	DMM-32-5-P-A <sup>2)</sup>	158600	DMML-32-5-P-A <sup>2)</sup>		
	10	158546	DMM-32-10-P-A <sup>2)</sup>	158601	DMML-32-10-P-A <sup>2)</sup>		
	15	158547	DMM-32-15-P-A <sup>2)</sup>	158602	DMML-32-15-P-A <sup>2)</sup>		
	20	158548	DMM-32-20-P-A <sup>2)</sup>	158603	DMML-32-20-P-A <sup>2)</sup>		
	25	158549	DMM-32-25-P-A <sup>2)</sup>	158604	DMML-32-25-P-A <sup>2)</sup>		
	30	158550	DMM-32-30-P-A <sup>2)</sup>	158605	DMML-32-30-P-A <sup>2)</sup>		
	40	158551	DMM-32-40-P-A <sup>2)</sup>	158606	DMML-32-40-P-A <sup>2)</sup>		
	50	158552	DMM-32-50-P-A <sup>2)</sup>	158607	DMML-32-50-P-A <sup>2)</sup>		




1) Additional stroke lengths upon request

2) The scope of delivery includes a hexagonal nut for the piston rod thread

# Compact cylinders DMM, Multimount

FESTO

Technical data

Ordering data – Variants						
Type	Piston Ø [mm]	Stroke <sup>1)</sup> [mm]	Basic version DMM		Non-rotating version DMML	
			Part No.	Type	Part No.	Type
<b>S2 – Through piston rod</b>						
	10	5, 10, 20, 25, 30	<b>158508</b>	<b>DMM-10-...-P-A-S2</b>	<b>158563</b>	<b>DMML-10-...-P-A-S2</b>
	16	5, 10, 15, 20, 25, 30, 40	<b>158517</b>	<b>DMM-16-...-P-A-S2</b>	<b>158572</b>	<b>DMML-16-...-P-A-S2</b>
	20	5, 10, 15, 20, 25, 30, 40, 50	<b>158529</b>	<b>DMM-20-...-P-A-S2</b>	<b>158584</b>	<b>DMML-20-...-P-A-S2</b>
	25	5, 10, 15, 20, 25, 30, 40, 50	<b>158541</b>	<b>DMM-25-...-P-A-S2<sup>2)</sup></b>	<b>158596</b>	<b>DMML-25-...-P-A-S2<sup>2)</sup></b>
	32	5, 10, 15, 20, 25, 30, 40, 50	<b>158553</b>	<b>DMM-32-...-P-A-S2<sup>2)</sup></b>	<b>158608</b>	<b>DMML-32-...-P-A-S2<sup>2)</sup></b>
<b>S6 – Heat resistant up to 120 °C</b>						
	10	5, 10, 15, 20, 25, 30	<b>158509</b>	<b>DMM-10-...-P-A-S6</b>	<b>158564</b>	<b>DMML-10-...-P-A-S6</b>
	16	5, 10, 15, 20, 25, 30, 40	<b>158518</b>	<b>DMM-16-...-P-A-S6</b>	<b>158573</b>	<b>DMML-16-...-P-A-S6</b>
	20	5, 10, 15, 20, 25, 30, 40, 50	<b>158530</b>	<b>DMM-20-...-P-A-S6</b>	<b>158585</b>	<b>DMML-20-...-P-A-S6</b>
	25	5, 10, 15, 20, 25, 30, 40, 50	<b>158542</b>	<b>DMM-25-...-P-A-S6<sup>2)</sup></b>	<b>158597</b>	<b>DMML-25-...-P-A-S6<sup>2)</sup></b>
	32	5, 10, 15, 20, 25, 30, 40, 50	<b>158554</b>	<b>DMM-32-...-P-A-S6<sup>2)</sup></b>	<b>158609</b>	<b>DMML-32-...-P-A-S6<sup>2)</sup></b>
<b>S20 – Through, hollow piston rod</b>						
	16	5, 10, 15, 20, 25, 30, 40	<b>158519</b>	<b>DMM-16-...-P-A-S20</b>	<b>158574</b>	<b>DMML-16-...-P-A-S20</b>
	20	5, 10, 15, 20, 25, 30, 40, 50	<b>158531</b>	<b>DMM-20-...-P-A-S20</b>	<b>158586</b>	<b>DMML-20-...-P-A-S20</b>
	25	5, 10, 15, 20, 25, 30, 40, 50	<b>158543</b>	<b>DMM-25-...-P-A-S20<sup>2)</sup></b>	<b>158598</b>	<b>DMML-25-...-P-A-S20<sup>2)</sup></b>
	32	5, 10, 15, 20, 25, 30, 40, 50	<b>158555</b>	<b>DMM-32-...-P-A-S20<sup>2)</sup></b>	<b>158610</b>	<b>DMML-32-...-P-A-S20<sup>2)</sup></b>

1) Additional stroke lengths upon request

2) The scope of delivery includes a hexagonal nut for the piston rod thread

# Compact cylinders EMM, Multimount

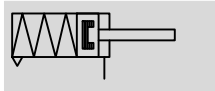
Technical data

Function

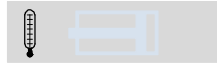
**EMM, EMML**



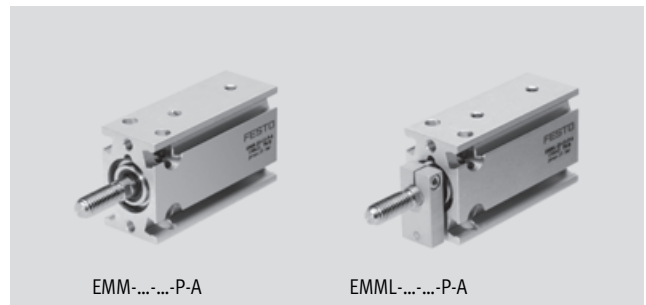
**EMMZ, EMMLZ**



Variants

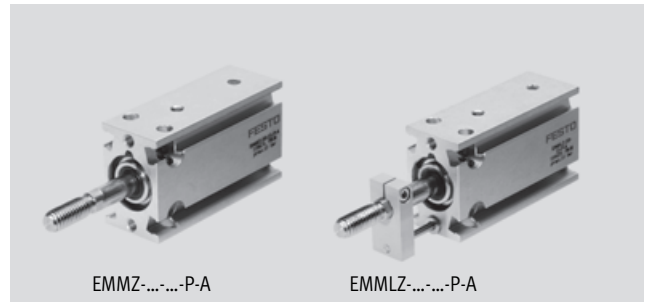


S6



EMM-...-P-A

EMML-...-P-A



EMMZ-...-P-A

EMMLZ-...-P-A

- - Diameter  
10 ... 32 mm
- - Stroke length  
5 ... 15 mm
- - [www.festo.com](http://www.festo.com)

General technical data					
Piston $\varnothing$	10	16	20	25	32
Pneumatic connection	M3	M5	M5	M5	G1/8
End of piston rod Male thread	M4	M6	M8	M10x1.25	M10x1.25
Operating medium	Compressed air in accordance with ISO 8573-1:2010 [7:4:4]				
Note on operating/pilot medium	Operation with lubricated medium possible (in which case lubricated operation will always be required)				
Max. operating pressure [bar]	10				
Max. applied load <sup>1)</sup> [g]	40	120	160	260	320
Constructional design	Piston				
	Piston rod				
Cushioning	Flexible cushioning rings/plates at both ends				
Position sensing	For proximity sensing				
Type of mounting	Via through holes				
	Via female thread				
Mounting position	Any				

1) At 6 bar. For other values see graph "Maximum permissible impact velocity v as a function of the applied load m" → page 14

Ambient conditions		
Variant	Basic version	S6
Ambient temperature <sup>1)</sup> [°C]	-20 ... +80	0 ... +120

1) Note operating range of proximity sensors

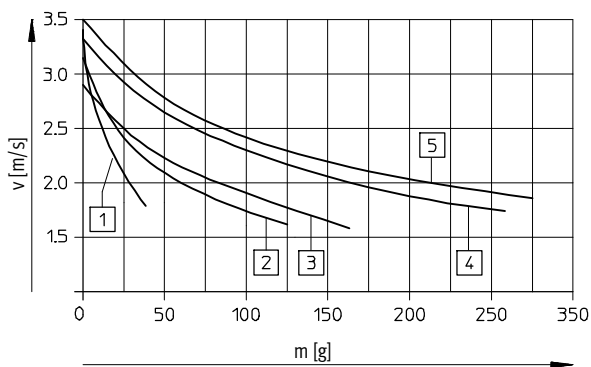
# Compact cylinders EMM, Multimount

Technical data

FESTO

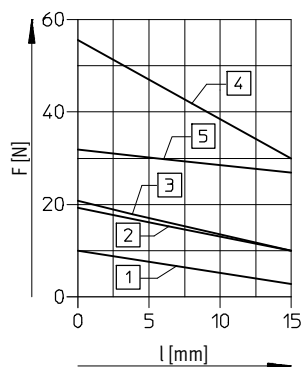
Forces [N] and impact energy [J]						
Piston $\varnothing$		10	16	20	25	32
Theoretical force at 6 bar, advancing	EMM/EMML	37	101	165	227	456
	EMMZ/EMMLZ	30	84	135	179	388
Max. impact energy at end positions		0.1	0.2	0.3	0.6	0.6

Maximum permissible impact velocity  $v$  as a function of the applied load  $m$



- 1  $\varnothing$  10 mm                      3  $\varnothing$  20 mm  
 2  $\varnothing$  16 mm                      4  $\varnothing$  25 mm

Minimum spring return force  $F$  as a function of the stroke  $l$



- 5  $\varnothing$  32 mm

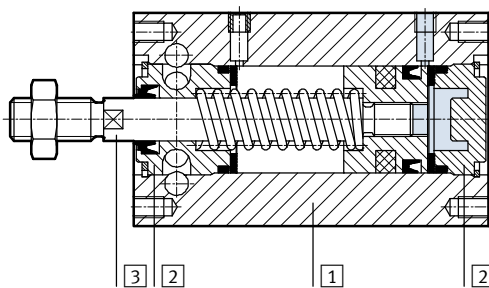
Technical data – Protection against rotation

Piston $\varnothing$		10	16	20	25	32
Max. torque at the piston rod <sup>1)</sup>	[Nm]	0.02	0.01	0.01	0.015	0.02

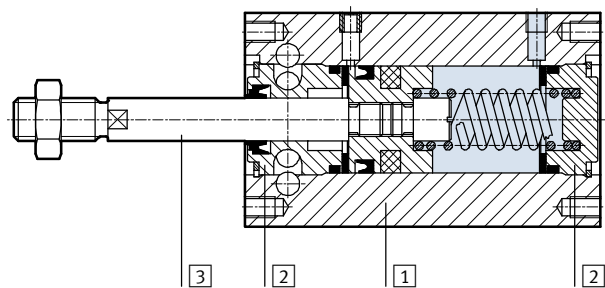
1) The max. torque must not be exceeded even when fitting attachments

## Materials

Sectional view EMM(L) – Pushing



Sectional view EMM(L)Z – Pulling



Compact cylinder	Basic version	S6
1 Housing	Wrought aluminium alloy	Wrought aluminium alloy
2 Plug cap	Brass	Brass
3 Piston rod	High-alloy stainless steel	High-alloy stainless steel
– Seals	Polyurethane	Fluorocarbon rubber

# Compact cylinders EMM, Multimount

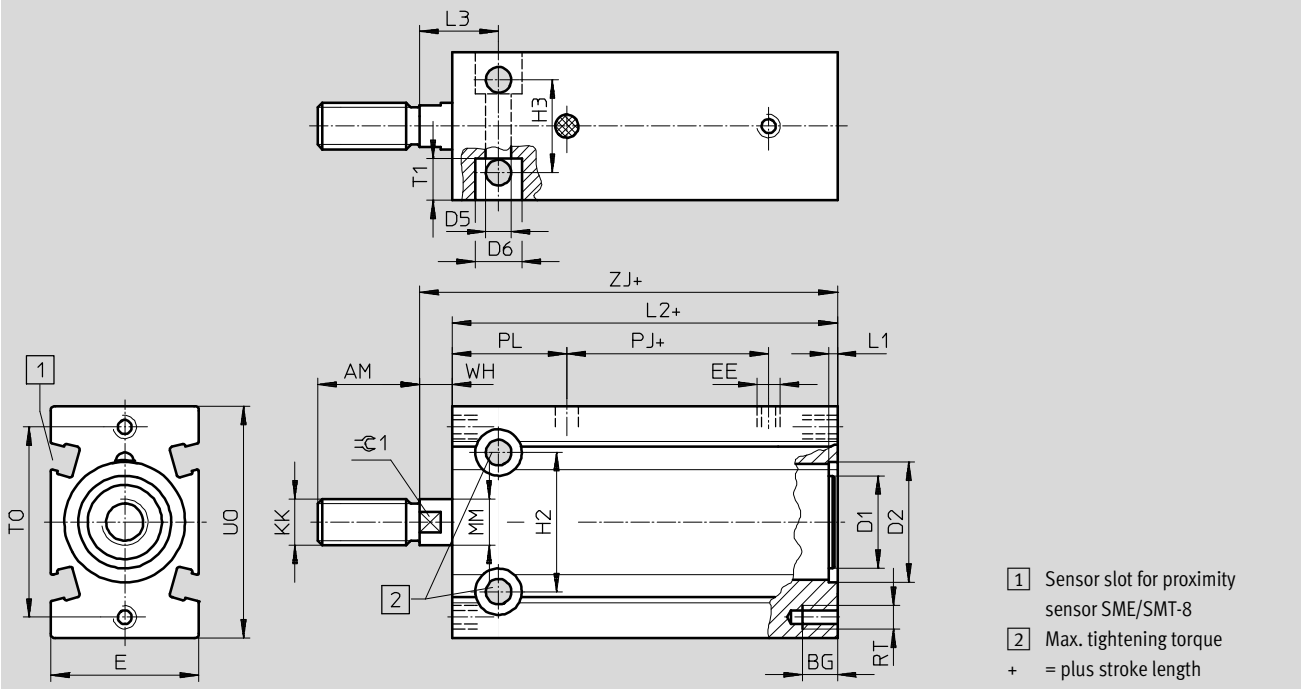
Technical data

FESTO

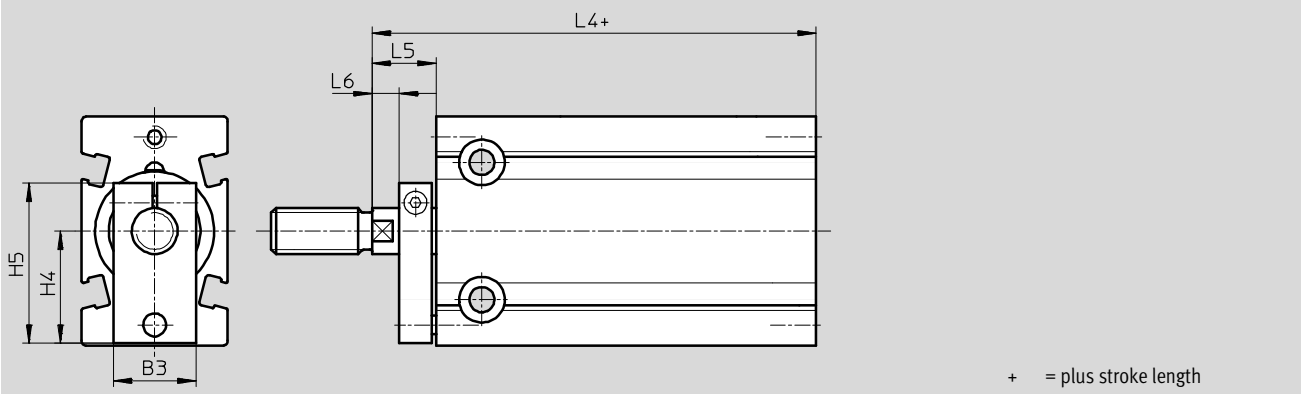
## Dimensions

Download CAD data → [www.festo.com](http://www.festo.com)

### Basic version EMM – Pushing



### Non-rotating version EMML – Pushing



∅	AM	B3	BG	D1	D2	D5	D6	E	EE	H2	H3	H4	H5	KK	L1	L2
[mm]			+0.5	∅	∅ H7	∅ +0.2	∅ +0.3									
10	12	14	5	–	10.8	3.4	6	15	M3	13	9	11	19.5	M4	0.9	48
16	16	15	6	12.9	17	4.3	7.5	20	M5	19	13	15.5	24	M6	0.9	52
20	20	15	7.5	16	21	5.5	10	26	M5	24	16	19.5	29	M8	1.9	55
25	22	18	7.5	20	26	5.5	10	32	M5	30	20	24.5	36	M10x1.25	1.9	58
32	22	20	9	26	33	6.6	11	40	G1/8	40	24	30.5	45	M10x1.25	1.9	62

∅	L3	L4	L5	L6	MM	PJ	PL	RT	T1	U0	T0	WH	ZJ	∅C1	Max. tightening torque
[mm]					∅									h13	[Nm] +10%
10	11	57	9	–	4	12	24	M3	5	25	19	2	50	–	1
16	13.5	64	12	3	6	16.5	22	M4	5.5	32	27	5	57	5	2.5
20	16	68	13	4	8	16.8	25.7	M5	8	40	33	6	61	7	3
25	17	72	14	5	10	18.5	24.7	M5	9	50	41	7	65	9	8
32	19	77	15	6	12	19	26	M6	11.5	62	52	8	70	10	9

# Compact cylinders EMM, Multimount

Technical data

FESTO

**Dimensions** Download CAD data → [www.festo.com](http://www.festo.com)

Basic version EMMZ – Pulling Non-rotating version EMMLZ – Pulling

+ = plus stroke length  
++ = plus 2x stroke length

∅	L4	L5	WH	ZJ
[mm]				
10	57	9	2	50
16	64	12	5	57
20	68	13	6	61
25	72	14	7	65
32	77	15	8	70

**Ordering data – Basic cylinder, pushing**


Type	Piston ∅ [mm]	Stroke <sup>1)</sup> [mm]	Basic version EMM		Non-rotating version EMML	
			Part No.	Type	Part No.	Type
	10	5	158612	EMM-10-5-P-A	158637	EMML-10-5-P-A
		10	158613	EMM-10-10-P-A	158638	EMML-10-10-P-A
		15	158614	EMM-10-15-P-A	158639	EMML-10-15-P-A
	16	5	158617	EMM-16-5-P-A	158642	EMML-16-5-P-A
		10	158618	EMM-16-10-P-A	158643	EMML-16-10-P-A
		15	158619	EMM-16-15-P-A	158644	EMML-16-15-P-A
	20	5	158622	EMM-20-5-P-A	158647	EMML-20-5-P-A
		10	158623	EMM-20-10-P-A	158648	EMML-20-10-P-A
		15	158624	EMM-20-15-P-A	158649	EMML-20-15-P-A
	25	5	158627	EMM-25-5-P-A <sup>2)</sup>	158652	EMML-25-5-P-A <sup>2)</sup>
		10	158628	EMM-25-10-P-A <sup>2)</sup>	158653	EMML-25-10-P-A <sup>2)</sup>
		15	158629	EMM-25-15-P-A <sup>2)</sup>	158654	EMML-25-15-P-A <sup>2)</sup>
32	5	158632	EMM-32-5-P-A <sup>2)</sup>	158657	EMML-32-5-P-A <sup>2)</sup>	
	10	158633	EMM-32-10-P-A <sup>2)</sup>	158658	EMML-32-10-P-A <sup>2)</sup>	
	15	158634	EMM-32-15-P-A <sup>2)</sup>	158659	EMML-32-15-P-A <sup>2)</sup>	

- 1) Additional stroke lengths upon request  
2) The scope of delivery includes a hexagonal nut for the piston rod thread




# Compact cylinders EMM, Multimount


Technical data

Ordering data – Basic cylinder, pulling						
Type	Piston Ø [mm]	Stroke <sup>1)</sup> [mm]	Basic version EMMZ		Non-rotating version EMMLZ	
			Part No.	Type	Part No.	Type
	10	5	158662	EMMZ-10-5-P-A	158687	EMMLZ-10-5-P-A
		10	158663	EMMZ-10-10-P-A	158688	EMMLZ-10-10-P-A
		15	158664	EMMZ-10-15-P-A	158689	EMMLZ-10-15-P-A
	16	5	158667	EMMZ-16-5-P-A	158692	EMMLZ-16-5-P-A
		10	158668	EMMZ-16-10-P-A	158693	EMMLZ-16-10-P-A
		15	158669	EMMZ-16-15-P-A	158694	EMMLZ-16-15-P-A
	20	5	158672	EMMZ-20-5-P-A	158697	EMMLZ-20-5-P-A
		10	158673	EMMZ-20-10-P-A	158698	EMMLZ-20-10-P-A
		15	158674	EMMZ-20-15-P-A	158699	EMMLZ-20-15-P-A
	25	5	158677	EMMZ-25-5-P-A <sup>2)</sup>	158702	EMMLZ-25-5-P-A <sup>2)</sup>
		10	158678	EMMZ-25-10-P-A <sup>2)</sup>	158703	EMMLZ-25-10-P-A <sup>2)</sup>
		15	158679	EMMZ-25-15-P-A <sup>2)</sup>	158704	EMMLZ-25-15-P-A <sup>2)</sup>
	32	5	158682	EMMZ-32-5-P-A <sup>2)</sup>	158707	EMMLZ-32-5-P-A <sup>2)</sup>
		10	158683	EMMZ-32-10-P-A <sup>2)</sup>	158708	EMMLZ-32-10-P-A <sup>2)</sup>
		15	158684	EMMZ-32-15-P-A <sup>2)</sup>	158709	EMMLZ-32-15-P-A <sup>2)</sup>

- 1) Additional stroke lengths upon request
- 2) The scope of delivery includes a hexagonal nut for the piston rod thread

Ordering data – Pushing variants						
Type	Piston Ø [mm]	Stroke <sup>1)</sup> [mm]	Basic version EMM		Non-rotating version EMML	
			Part No.	Type	Part No.	Type
S6 – Heat resistant up to 120 °C						
	10	5, 10, 15	158615	EMM-10-...-P-A-S6	158640	EMML-10-...-P-A-S6
	16	5, 10, 15	158620	EMM-16-...-P-A-S6	158645	EMML-16-...-P-A-S6
	20	5, 10, 15	158625	EMM-20-...-P-A-S6	158650	EMML-20-...-P-A-S6
	25	5, 10, 15	158630	EMM-25-...-P-A-S6 <sup>2)</sup>	158655	EMML-25-...-P-A-S6 <sup>2)</sup>
	32	5, 10, 15	158635	EMM-32-...-P-A-S6 <sup>2)</sup>	158660	EMML-32-...-P-A-S6 <sup>2)</sup>

- 1) Additional stroke lengths upon request
- 2) The scope of delivery includes a hexagonal nut for the piston rod thread


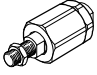
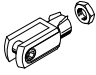
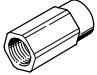
Ordering data – Pulling variants						
Type	Piston Ø [mm]	Stroke <sup>1)</sup> [mm]	Basic version EMMZ		Non-rotating version EMMLZ	
			Part No.	Type	Part No.	Type
S6 – Heat resistant up to 120 °C						
	10	5, 10, 15	158665	EMMZ-10-...-P-A-S6	158690	EMMLZ-10-...-P-A-S6
	16	5, 10, 15	158670	EMMZ-16-...-P-A-S6	158695	EMMLZ-16-...-P-A-S6
	20	5, 10, 15	158675	EMMZ-20-...-P-A-S6	158700	EMMLZ-20-...-P-A-S6
	25	5, 10, 15	158680	EMMZ-25-...-P-A-S6 <sup>2)</sup>	158705	EMMLZ-25-...-P-A-S6 <sup>2)</sup>
	32	5, 10, 15	158685	EMMZ-32-...-P-A-S6 <sup>2)</sup>	158710	EMMLZ-32-...-P-A-S6 <sup>2)</sup>

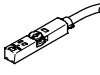
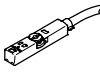
- 1) Additional stroke lengths upon request
- 2) The scope of delivery includes a hexagonal nut for the piston rod thread

# Compact cylinders DMM/EMM, Multimount

Accessories

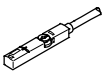

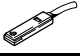
FESTO



Ordering data – Piston rod attachments				Technical data → Internet: piston-rod attachment			
Designation	For Ø	Part No.	Type	Designation	For Ø	Part No.	Type
<b>Rod eye SGS</b>				<b>Self-aligning rod coupler FK</b>			
	10	9253	SGS-M4		10	6528	FK-M4
	16	9254	SGS-M6		16	2061	FK-M6
	20	9255	SGS-M8		20	2062	FK-M8
	25	9261	SGS-M10x1,25		25	6140	FK-M10x1,25
	32						
<b>Rod clevis SG</b>				<b>Adapter AD</b>			
	10	6532	SG-M4		16	157328	AD-M6-M5
	16	3110	SG-M6			157329	AD-M6-1/8
	20	3111	SG-M8			157330	AD-M6-1/4
	25	6144	SG-M10x1,25		20	157331	AD-M8-1/8
	32				157332	AD-M8-1/4	
				25	157333	AD-M10x1,25-1/8	
				32	157334	AD-M10x1,25-1/4	



Ordering data – Proximity sensors for T-slot, magneto-resistive					Technical data → Internet: smt	
	Type of mounting	Switch output	Electrical connection	Cable length [m]	Part No.	Type
<b>N/O contact</b>						
	Insertable in the slot from above, flush with cylinder profile, short design	PNP	Cable, 3-wire	2.5	574335	SMT-8M-A-PS-24V-E-2,5-OE
			Plug M8x1, 3-pin	0.3	574334	SMT-8M-A-PS-24V-E-0,3-M8D
			Plug M12x1, 3-pin	0.3	574337	SMT-8M-A-PS-24V-E-0,3-M12
		NPN	Cable, 3-wire	2.5	574338	SMT-8M-A-NS-24V-E-2,5-OE
			Plug M8x1, 3-pin	0.3	574339	SMT-8M-A-NS-24V-E-0,3-M8D
<b>N/C contact</b>						
	Insertable in the slot from above, flush with cylinder profile, short design	PNP	Cable, 3-wire	7.5	574340	SMT-8M-A-PO-24V-E-7,5-OE

# Compact cylinders DMM/EMM, Multimount

Accessories

Ordering data – Proximity sensors for T-slot, magnetic reed						Technical data → Internet: sme	
	Type of mounting	Switch output	Electrical connection	Cable length [m]	Part No.	Type	
<b>N/O contact</b>							
	Insertable in the slot from above, flush with cylinder profile	Contacting	Cable, 3-wire	2.5	543862	SME-8M-DS-24V-K-2,5-OE	
				5.0	543863	SME-8M-DS-24V-K-5,0-OE	
			Plug M8x1, 3-pin	2.5	543872	SME-8M-ZS-24V-K-2,5-OE	
				0.3	543861	SME-8M-DS-24V-K-0,3-M8D	
	Insertable in the slot lengthwise, flush with the cylinder profile	Contacting	Cable, 3-wire	2.5	150855	SME-8-K-LED-24	
				0.3	150857	SME-8-S-LED-24	
<b>N/C contact</b>							
	Insertable in the slot lengthwise, flush with the cylinder profile	Contacting	Cable, 3-wire	7.5	160251	SME-8-O-K-LED-24	

Ordering data – Connecting cables					Technical data → Internet: nebu	
	Electrical connection, left	Electrical connection, right	Cable length [m]	Part No.	Type	
	Straight socket, M8x1, 3-pin	Cable, open end, 3-wire	2.5	541333	NEBU-M8G3-K-2.5-LE3	
			5	541334	NEBU-M8G3-K-5-LE3	
	Straight socket, M12x1, 5-pin	Cable, open end, 3-wire	2.5	541363	NEBU-M12G5-K-2.5-LE3	
			5	541364	NEBU-M12G5-K-5-LE3	
	Angled socket, M8x1, 3-pin	Cable, open end, 3-wire	2.5	541338	NEBU-M8W3-K-2.5-LE3	
			5	541341	NEBU-M8W3-K-5-LE3	
	Angled socket, M12x1, 5-pin	Cable, open end, 3-wire	2.5	541367	NEBU-M12W5-K-2.5-LE3	
			5	541370	NEBU-M12W5-K-5-LE3	

Ordering data – One-way flow control valves					Technical data → Internet: grl				
	Connection		Material	Part No.	Type				
	Thread	For tubing OD							
<b>For exhaust air</b>									
	M3	3	Metal design	175041	GRLA-M3-QS-3				
		M5		3	193137	GRLA-M5-QS-3-D			
				4	193138	GRLA-M5-QS-4-D			
				6	193139	GRLA-M5-QS-6-D			
	G1/8	3		193142	GRLA-1/8-QS-3-D				
		4		193143	GRLA-1/8-QS-4-D				
		6		193144	GRLA-1/8-QS-6-D				
		8		193145	GRLA-1/8-QS-8-D				
		<b>For supply air</b>							
				M3	3	Metal design	175043	GRLZ-M3-QS-3	
M5	3		193153		GRLZ-M5-QS-3-D				
	4		193154		GRLZ-M5-QS-4-D				
	6		193155		GRLZ-M5-QS-6-D				
G1/8	3		193156	GRLZ-1/8-QS-3-D					
	4		193157	GRLZ-1/8-QS-4-D					
	6		193158	GRLZ-1/8-QS-6-D					
	8		193159	GRLZ-1/8-QS-8-D					

# Festo - Your Partner in Automation



**1 Festo Inc.**  
5300 Explorer Drive  
Mississauga, ON L4W 5G4  
Canada

**Festo Customer Interaction Center**  
Tel: 1 877 463 3786  
Fax: 1 877 393 3786  
Email: [customer.service.ca@festo.com](mailto:customer.service.ca@festo.com)



**2 Festo Pneumatic**  
Av. Ceylán 3,  
Col. Tequesquináhuac  
54020 Tlalnepantla,  
Estado de México

**Multinational Contact Center**  
01 800 337 8669  
[ventas.mexico@festo.com](mailto:ventas.mexico@festo.com)



**3 Festo Corporation**  
1377 Motor Parkway  
Suite 310  
Islandia, NY 11749

**Festo Customer Interaction Center**  
1 800 993 3786  
1 800 963 3786  
[customer.service.us@festo.com](mailto:customer.service.us@festo.com)



**4 Regional Service Center**  
7777 Columbia Road  
Mason, OH 45040

Connect with us



[www.festo.com/socialmedia](http://www.festo.com/socialmedia)



[www.festo.com](http://www.festo.com)

Subject to change