

Solenoid valves JMFH, ISO 5599-1

FESTO

Technical data – 5/2-way valves, double solenoid

Flow rate

1200 ... 4500 l/min

Voltage

12, 24, 42, 48 V DC
24, 42, 48, 110, 230,
240 V AC



General technical data			
ISO size	1	2	3
Valve function	5/2-way, double solenoid		
Constructional design	Piston spool		
Sealing principle	Soft		
Actuation type	Electrical		
Type of pilot control	Piloted		
Pilot air supply	Internal or external		
Direction of flow	Non-reversible		
Exhaust function	With flow control		
Manual override	Via accessory, detenting		
Type of mounting	Via through-holes		
Mounting position	Any		
Nominal size	[mm] 8	11	14.5
Standard nominal flow rate	[l/min] 1200	2300	4500
Grid dimension	[mm] 43	56	71
Pneumatic connection on sub-base	G1/4	G3/8	G1/2
Product weight	[g] 490	750	1060
Noise level	[dB (A)] 85		
Certification	Germanischer Lloyd		

Operating and environmental conditions	
Operating medium	Compressed air in accordance with ISO 8573-1:2010 [7:4:4]
Pilot medium	Compressed air in accordance with ISO 8573-1:2010 [7:4:4]
Note on operating/pilot medium	Operation with lubricated medium possible (in which case lubricated operation will always be required)
Operating pressure	Internal pilot air supply [bar] 2 ... 10
	External pilot air supply [bar] -0.9 ... +16
Pilot pressure	[bar] 2 ... 10
Ambient temperature	[°C] -5 ... +40
Temperature of medium	[°C] -10 ... +60

Valve response times [ms]					
ISO size	1		2		3
		Dominant signal at 14		Dominant signal at 14	Dominant signal at 14
With F solenoid coil					
	16	16	18	18	18

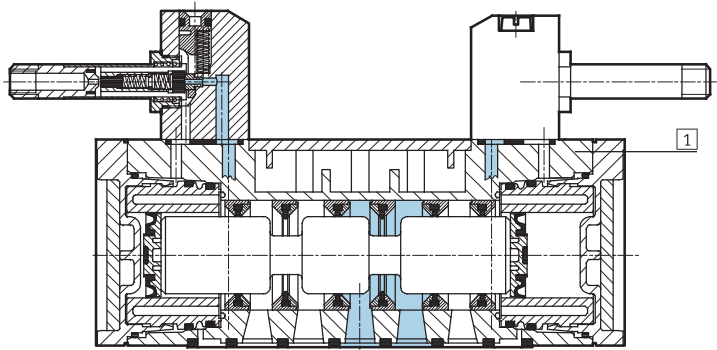
Solenoid valves JMFH, ISO 5599-1

Technical data – 5/2-way valves, double solenoid

Electrical data			
ISO size		1, 2, 3	
F solenoid coil			
Electrical connection	Design	Plug vanes for plug sockets MSSD-F, KMF	
Operating voltage	D.C. voltage	[V DC]	12, 24, 42, 48
	A.C. voltage	[V AC]	24, 42, 48, 110, 230, 240 (50 ... 60 Hz)
Coil characteristics	D.C. voltage	[W]	4.5
	A.C. voltage	[VA]	Pull: 7.5 Hold: 6
Protection class to EN 60 529		IP65	

Materials

Sectional view



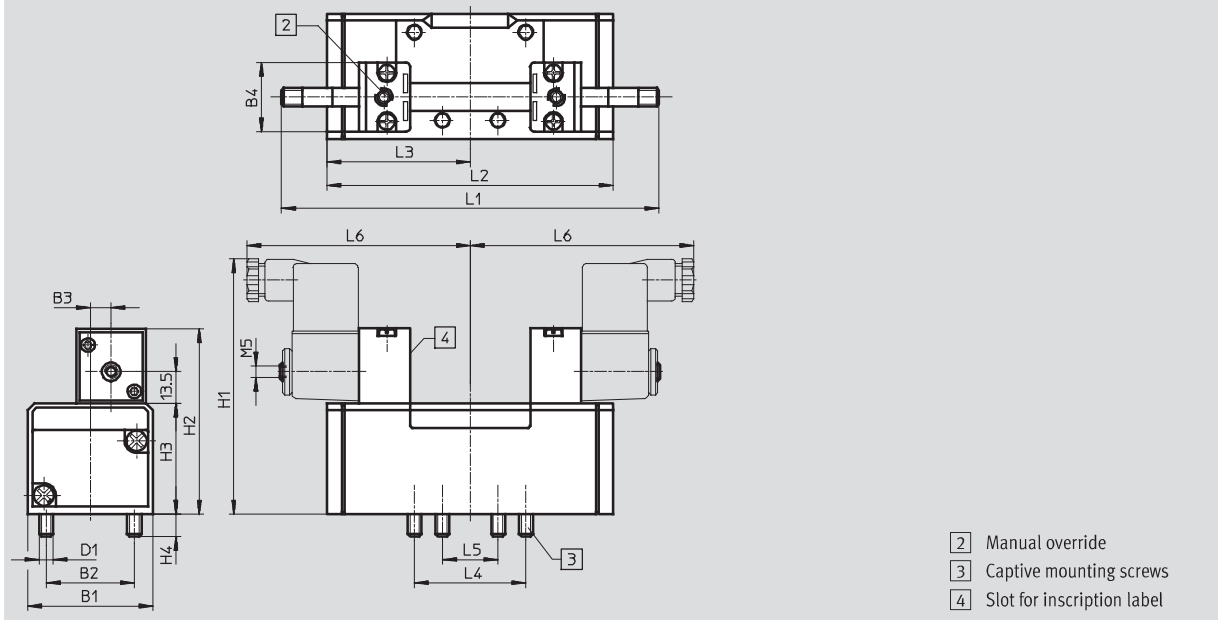
1	Housing	Die-cast aluminium, polyacetate
-	Seals	Nitrile rubber

Solenoid valves JMFH, ISO 5599-1

Technical data – 5/2-way valves, double solenoid

Dimensions

Download CAD Data → www.festo.com/us/cad



ISO size	B1	B2	B3	B4	D1	H1	H2	H3	H4	L1	L2	L3	L4	L5	L6
1	42	28	6	30	M5	100	70.3	38	9	142.6	87.6	43.8	36	18	88
2	54	38	9	30	M6	110	80.3	48	9.5	160.4	123.4	61.7	48	24	97
3	65	48	12	30	M8	117	87.3	55	12	181	145.4	72.7	64	32	109

Ordering data				
Circuit symbol	Description	ISO size	Part No.	Type
	Without F solenoid coil ¹⁾ , internal pilot air supply	1	150980	JMFH-5/2-D-1-C
		2	151852	JMFH-5/2-D-2-C
		3	151871	JMFH-5/2-D-3-C
	Without F solenoid coil ¹⁾ , external pilot air supply	1	152563	JMFH-5/2-D-1-S-C
		2	151023	JMFH-5/2-D-2-S-C
		3	151033	JMFH-5/2-D-3-S-C
	Without F solenoid coil ¹⁾ , internal pilot air supply, with dominant signal at 14	1	151019	JMFDH-5/2-D-1-C
		2	151853	JMFDH-5/2-D-2-C
		3	151872	JMFDH-5/2-D-3-C

1) F solenoid coils → 101