

# Pressure Filters

## ECF Series

Flows to 19 L/min (5 USgpm)  
Pressures to 200 bar (3,000 psi)

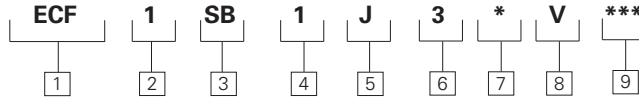


### Features and Benefits

- Integrated throwaway element which is screwed into the manifold port for last chance filtration

### DESIGN SPECIFICATIONS

<b>Rated flow:</b>	19 L/min (5 USgpm)	
<b>Fluid compatibility:</b>	Compatible with all petroleum-/oil-based and synthetic fluids. Not rated for use with fluoro-rubber or ethylene propylene seals.	
<b>Temp range:</b>	-30°C to +121°C (-22°F to 250°F)	
<b>Pressure rating:</b>	Operating	200 bar (3000 psi)
<b>Cavity:</b>	BC20-S3	
<b>Material:</b>	Head Bowl	Aluminum Aluminum
<b>Dry weight: (Approximate)</b>	0,11 kg (0.25 lbs)	



### ECF Series Filter and Element Model Code

Sample model code:  
ECF1SB1J3CV025

#### 1 Filter Series - ECF

#### 2 Element Collapse Rating

1 - 17 bar (250 psi) low collapse

#### 3 Port Options

SB - 1.312-12 UN SAE-16 straight thread

#### 4 Valve Options

1 - Non-Bypass (Screw directly into cavity)

#### 5 Indicator Options

J - No indicator

#### 6 Assembly Length

mm (inch)  
3 - 80.2 (3.16)

#### 7 Element Construction

C - Standard construction  
M - Wire screen

#### 8 Seal Material

V - Viton-A

#### 9 Fluid Cleanliness

Code	Fluid Cleanliness Rating	Element Construction
015	20/18/15	C-Pak
025		Wirescreen
100		Wirescreen

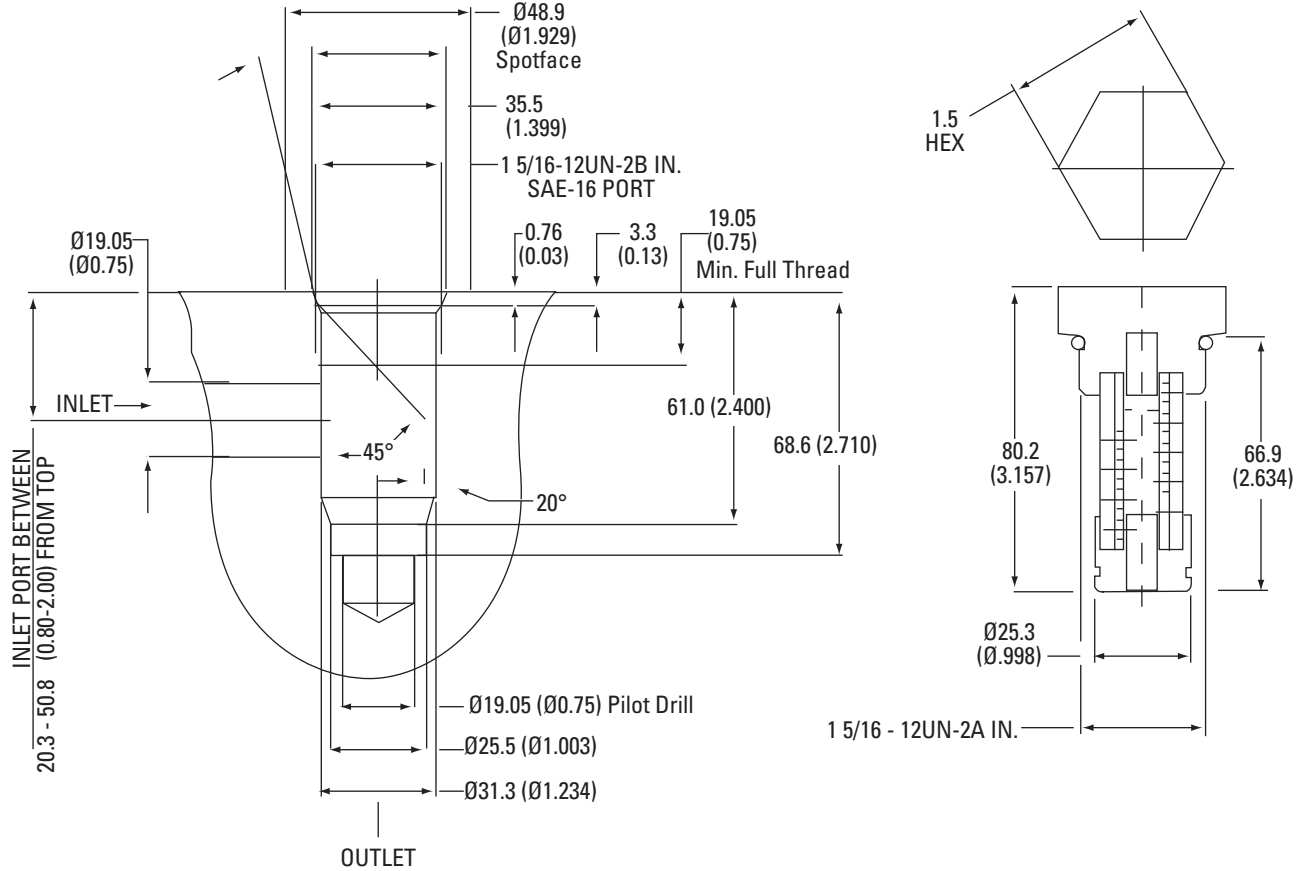
# Pressure Filters

## ECF Series

Flows to 19 L/min (5 USgpm)  
Pressures to 207 bar (3,000 psi)

### Housing Dimensions

mm (inch)

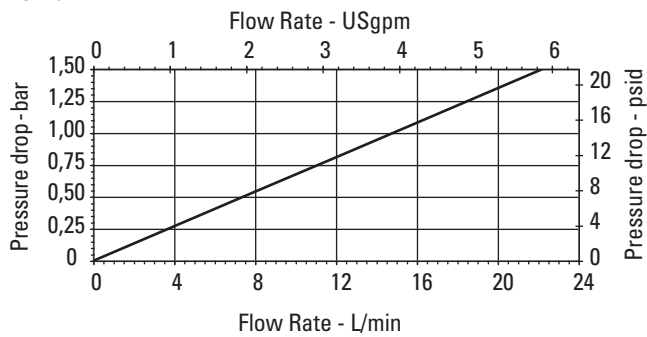


### Housing/Element Flow Data

#### Flow versus pressure drop:

150 SUS (32 cSt) oil with specific gravity of  $\leq 0.9$

ECF15



ECF 25/150

