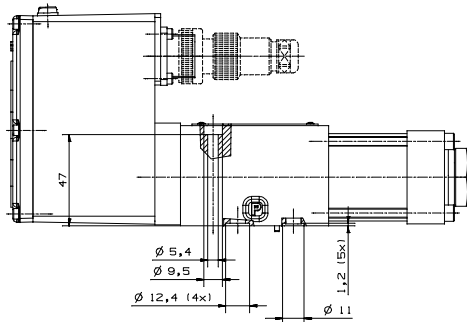
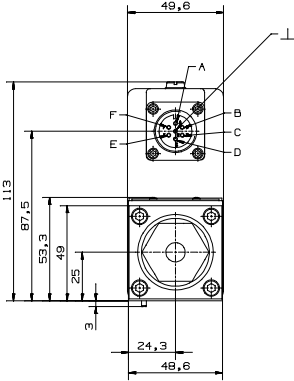
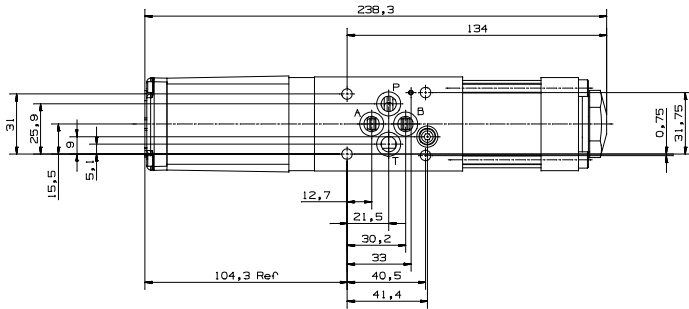
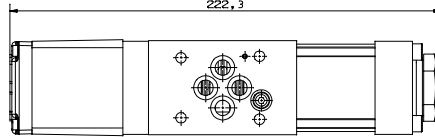


TYPE WITH SHORT ELECTRONIC HOUSING

FOR MISSING DIMENSIONS SEE STANDARD TYPE



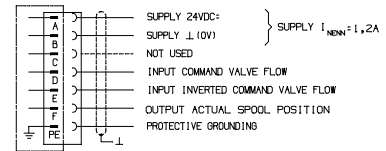
TECHNICAL DATA

| | |
|-------------------------------|--|
| OPERATING PRESSURE | MAX 350 BAR |
| MAX. RETURN PRESSURE IN "T" | 50 BAR |
| PORT T WITHOUT USE OF PORT Y | |
| OPERATING FLUID | MINERAL OIL BASED HYDRAULIC FLUID (DIN 51524, PART 1 TO 3) |
| VISCOSITY RECOMMENDED | 15 TO 45 MM ² /S |
| FILTER RATING | |
| FOR NORMAL OPERATION | $\beta_{10} > 75$ (10 μ m ABSOLUTE) |
| FOR LONGER LIFE | $\beta_1 > 75$ (1 μ m ABSOLUTE) |
| RECOMMENDED CLEANLINESS CLASS | |
| FOR NORMAL OPERATION | ISO 4406 <15/12 |
| FOR LONGER LIFE | ISO 4406 <14/11 |
| TEMPERATURE RANGE | |
| AMBIENT | -20° C TO +60° C |
| FLUID | -20° C TO +90° C |
| SEAL MATERIAL | NBR (OTHERS ON REQUEST) |
| O-RINGS | MOOG P/N XXXXX-013 (# 9,24x1,78) (4x) MOOG P/N XXXXX-012 (# 7,85x1,78) (1x) |
| MOUNTING SURFACE | FLAT WITHIN 0,02MM RA BETTER THAN 08 μ m |
| MOUNTING BOLTS | M 5x55 EN ISO 4762-10,9 (NOT INCLUDED IN DELIVERY) |
| REQUIRED TORQUE | 8,5Nm |
| RATED FLOW | 5,10/20/40 L/MIN AT $\Delta P_V = 70$ BAR PER LAND |
| RATED SPOOL STROKE | $\pm 0,5$ MM |
| RATED SIGNAL | ± 10 VDC; ± 10 mA; 4...20mA |
| DEGREE OF PROTECTION | EN60529: class IP 65 with mating connector mounted |
| MATING CONNECTOR | MOOG P/N B97007-061 EN 175201 Part B 604 |
| WEIGHT | CA 2000 g |
| HYDRAULIC POSITIVE DIRECTION | |
| FLOW P → A (C2) | PIN D-POSITIVE SIGNAL |

GENERAL REQUIREMENTS

ALL SIGNAL LINES, ALSO THOSE OF EXTERNAL TRANSDUCERS, SHIELDED, SHIELD CONNECTED RADIALLY TO L (0V), POWER SUPPLY SIDE, AND CONNECTED TO THE MATING CONNECTOR HOUSING (EMC).
EMC MEETS THE REQUIREMENTS OF EN6011/03-91 CLASS B, EN6091-1/01-92 AND EN6092-2/03-95,
PERFORMANCE CRITERION CLASS A. PROTECTIVE GROUNDING LEAD > 0,75 mm²
NOTE: WHEN MAKING ELECTRICAL CONNECTIONS TO THE VALVE (SHIELD, PROTECTIVE GROUNDING) APPROPRIATE MEASURES MUST BE TAKEN TO ENSURE THAT LOCALLY DIFFERENT EARTH POTENTIALS DO NOT RESULT IN EXCESSIVE GROUND CURRENTS. SEE ALSO MOOG APPLICATION NOTE IM653 E.

CONNECTOR WIRING (6/8+PE TO DIN 43663)



| Item No. | Description | Qty | Part-No. | Mat./Rough dim/Info |
|----------|---|------------|----------------------|---------------------|
| | Unless otherwise specified, tolerating principle to DIN ISO 2768-01 | | | |
| | Dimensions in μ m, DEC. | | | |
| | Surface treatment: | | | |
| | Process: | | | |
| | Layer thickness: | | | |
| | Surface quality to ISO 1302: | | | |
| | Non-dimensioned sharp edges per DIN 9134: | | | |
| | 2002 Date Name | Date Name | INSTALLATION DRAWING | |
| | Drawn: SWS | Eng: SWS | DIRECT DRIVE VALVE | |
| | Appr: SWS | Eng: SWS | DDV NG B | |
| | Modr: SWS | Eng: SWS | | |
| | MOOG | First use | C21180 | |
| | 8811 Inge/Büschland | Drawn-No.: | | |
| | 10/10/04 | Drawn: | | |
| | | Check: | | |
| | | Drawn: | | |
| | | Eng: | | |
| | | Appr: | | |
| | | Modr: | | |

This is a CAD drawing and must not be edited by hand.