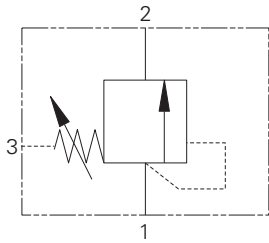


PSV7-10 - Pressure sequence valve

Spool, direct acting, normally closed, internal pilot, external drain
 23 L/min (6 USgpm) • 210 bar (3000 psi)



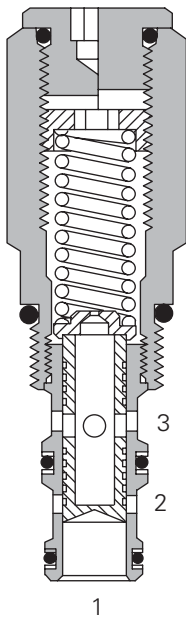
Operation

As with the direct acting relief valves, when the pressure exceeds the spring force, the spool moves back, opening the inlet to outlet.

Features

Stable, quiet operation.
 Cartridge construction gives maximum flexibility in mounting. Offering good repeatability and reset.

Sectional view



Performance data

Ratings and specifications

Performance data is typical with fluid at 21,8 cSt (105 SUS) and 49° C (120° F)

Typical application pressure	210 bar (3000 psi)
Cartridge fatigue pressure (infinite life)	210 bar (3000 psi)
Maximum sequence pressure	125 bar (1800 psi)
Rated flow	23 L/min (6 USgpm)
Cavity	C-10-3
Standard housing materials	Aluminum
Temperature range	-40° to 120°C (-40° to 248°F)
Fluids	All general purpose hydraulic fluids such as: MIL-H-5606, SAE 10, SAE 20, etc.
Filtration	Cleanliness Code 18/16/13
Weight cartridge only	0,24 kg (0.53 lbs)
Seal kits	565804 Buna-N 889599 Viton®

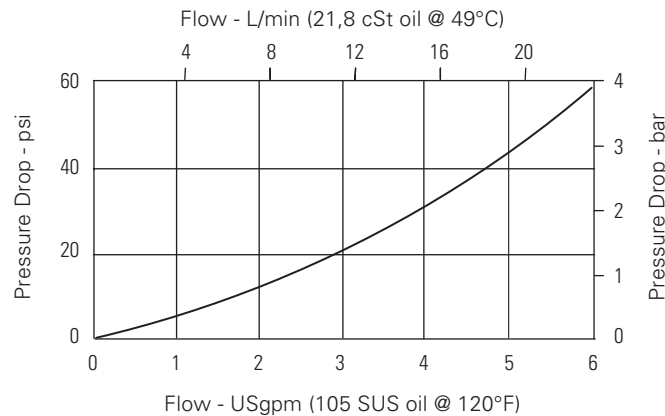
Viton is a registered trademark of E.I. DuPont

Description

Direct acting sequence valves are ideal for diverting oil to a second circuit at a predetermined pressure as in clamp and drill circuits, or as a relief where the back pressure varies. By taking the drain line directly to tank, back pressure effects are negated.

Pressure drop curve

Cartridge only

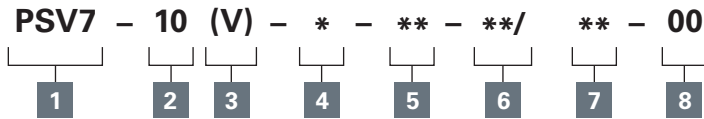


Where measurements are critical request certified drawings. We reserve the right to change specifications without notice.

PSV7-10 - Pressure sequence valve

Spool, direct acting, normally closed, internal pilot, external drain
23 L/min (6 USgpm) • 210 bar (3000 psi)

Model code



1 Function

PSV7 - Pressure sequence valve

2 Size

10 - 10 size

3 Seal material

Blank - Buna-N
V - Viton®

4 Adjustment

C - Cap
F - Factory set
I - Internal
K - Knob
S - Screw

5 Port size

0 - Cartridge only

Code	Port size	Housing number	
		Aluminum light duty	Aluminum fatigue rated
3B	3/8" BSPP	02-173358	-
6T	SAE 6	566162	-
2G	3/4" BSPP	-	876705
3G	3/8" BSPP	-	876714
6H	SAE 6	-	876704
8H	SAE 8	-	876711

See section J for housing.

6 Sequence pressure range

Note: Code based on pressure in psi.
2 - 3, 5-10 bar (50-150 psi)
3 - 5-20 bar (75-300 psi)

5 - 7-30 bar (100-450 psi)
10 - 14-65 bar (200-950 psi)
18 - 20-125 bar (300-1800 psi)

7 Setting pressure

Within ranges in **6**
Blank - Normal factory setting at approximate mid-range. User requested settings in 3,45 bar (50 psi) steps, Coded as in the following examples:
10 - 70 bar (1000 psi)
10.5 - 72,4 bar (1050 psi)

8 Special features

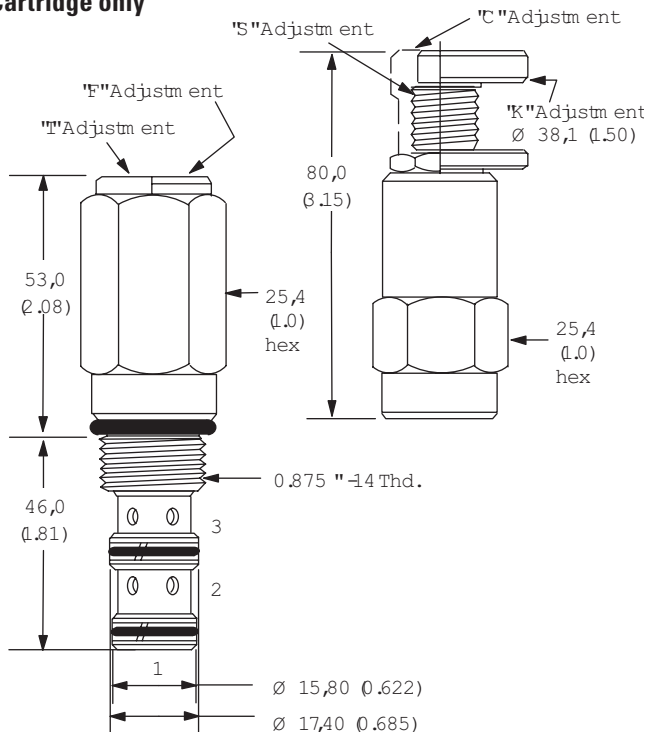
00 - None
(Only required if valve has special features, omitted if "00.")
SS - 316 Stainless Steel external components

Dimensions

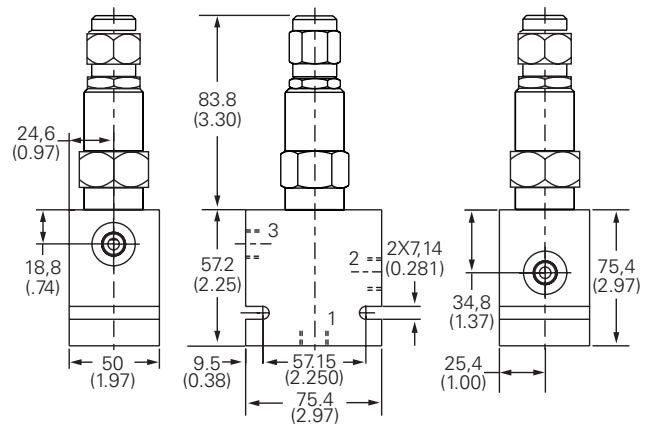
mm (inch)

Torque cartridge in aluminum housing to 47-54 Nm (35-40 ft. lbs)

Cartridge only



Installation drawing



Where measurements are critical request certified drawings. We reserve the right to change specifications without notice.