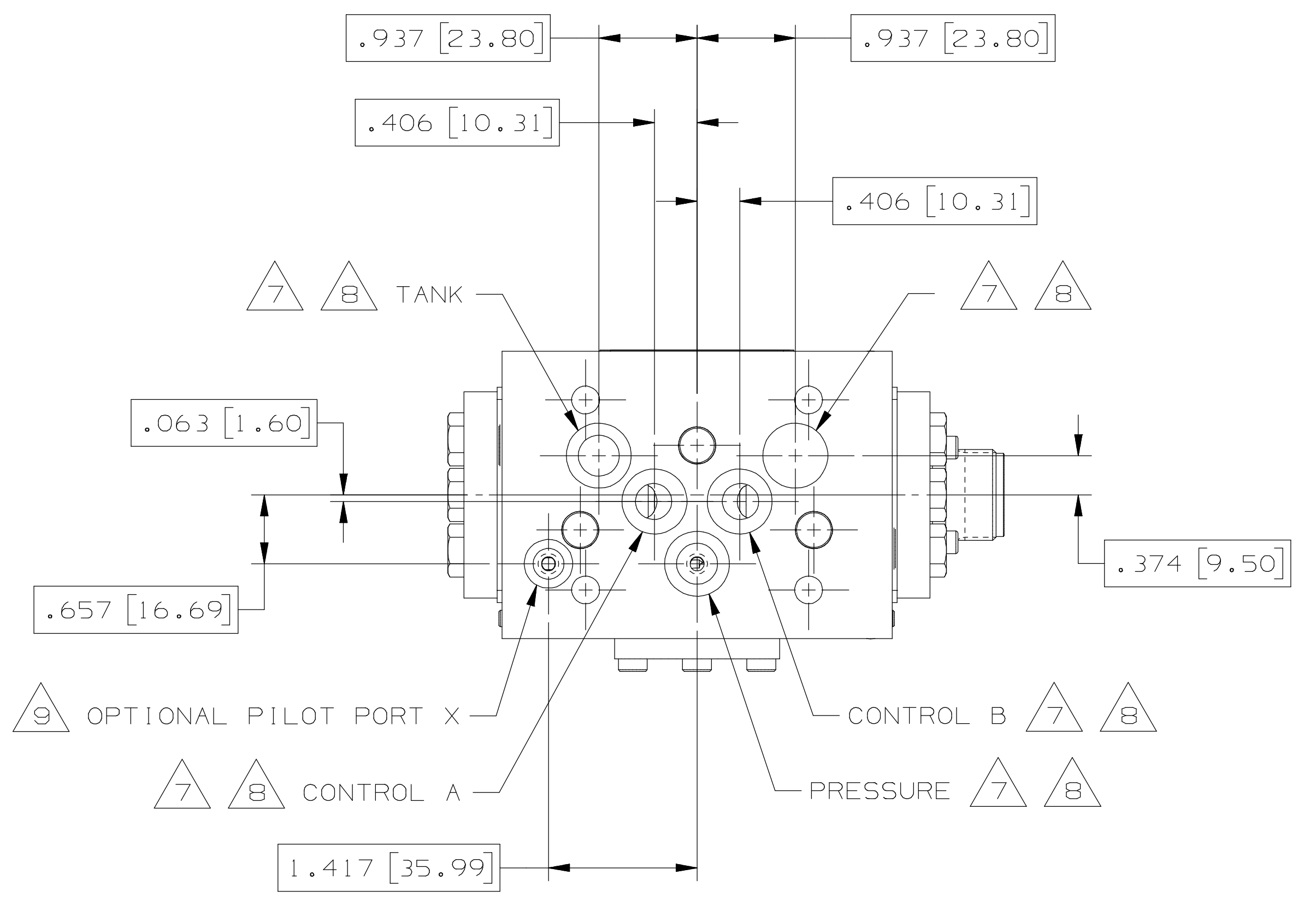
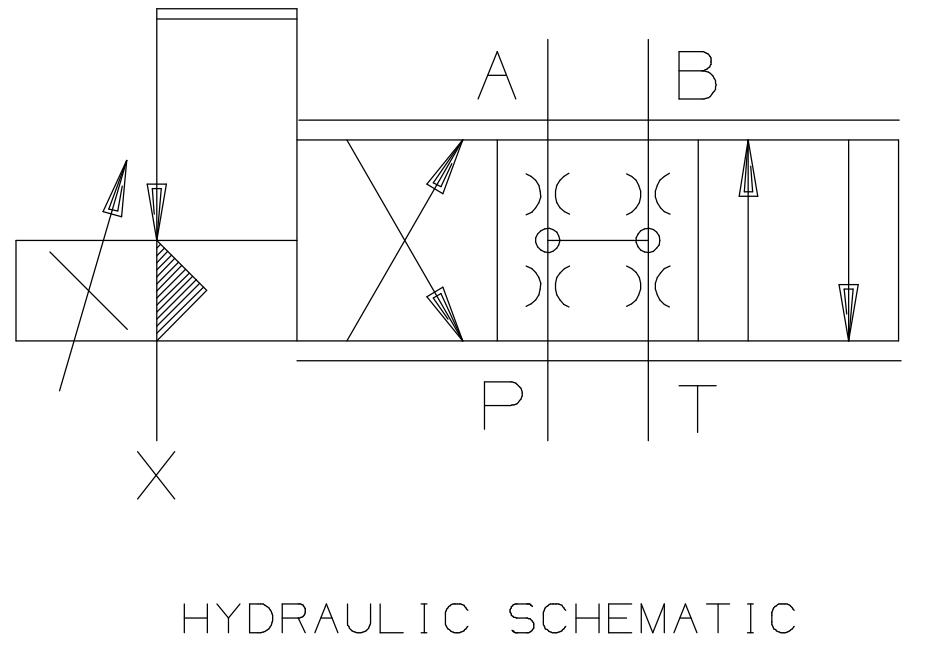
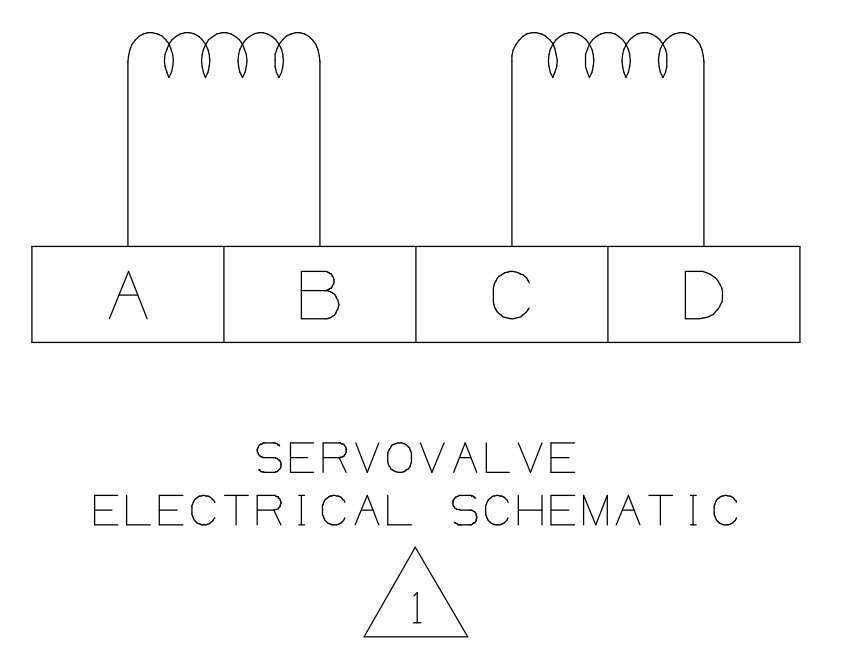
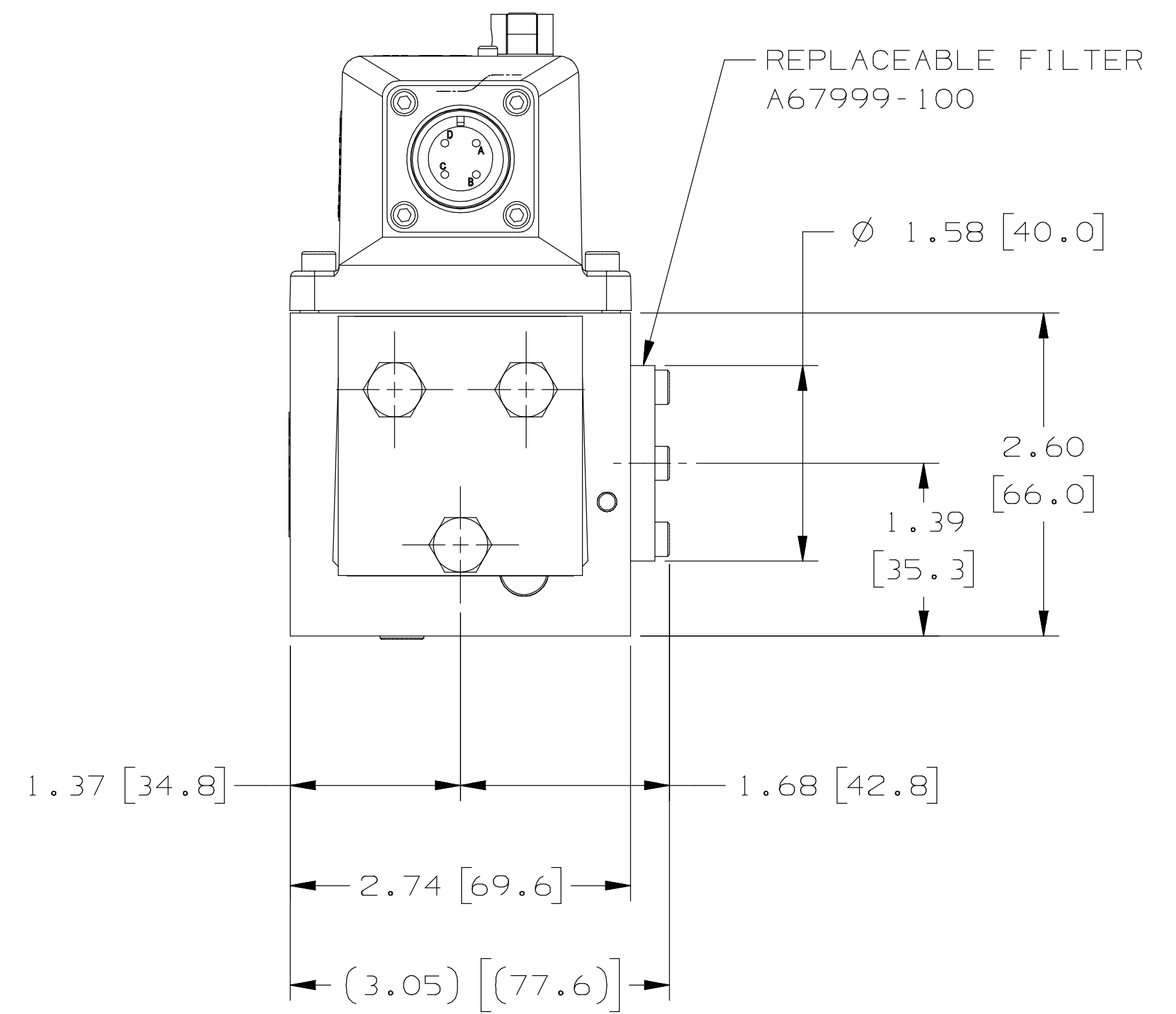
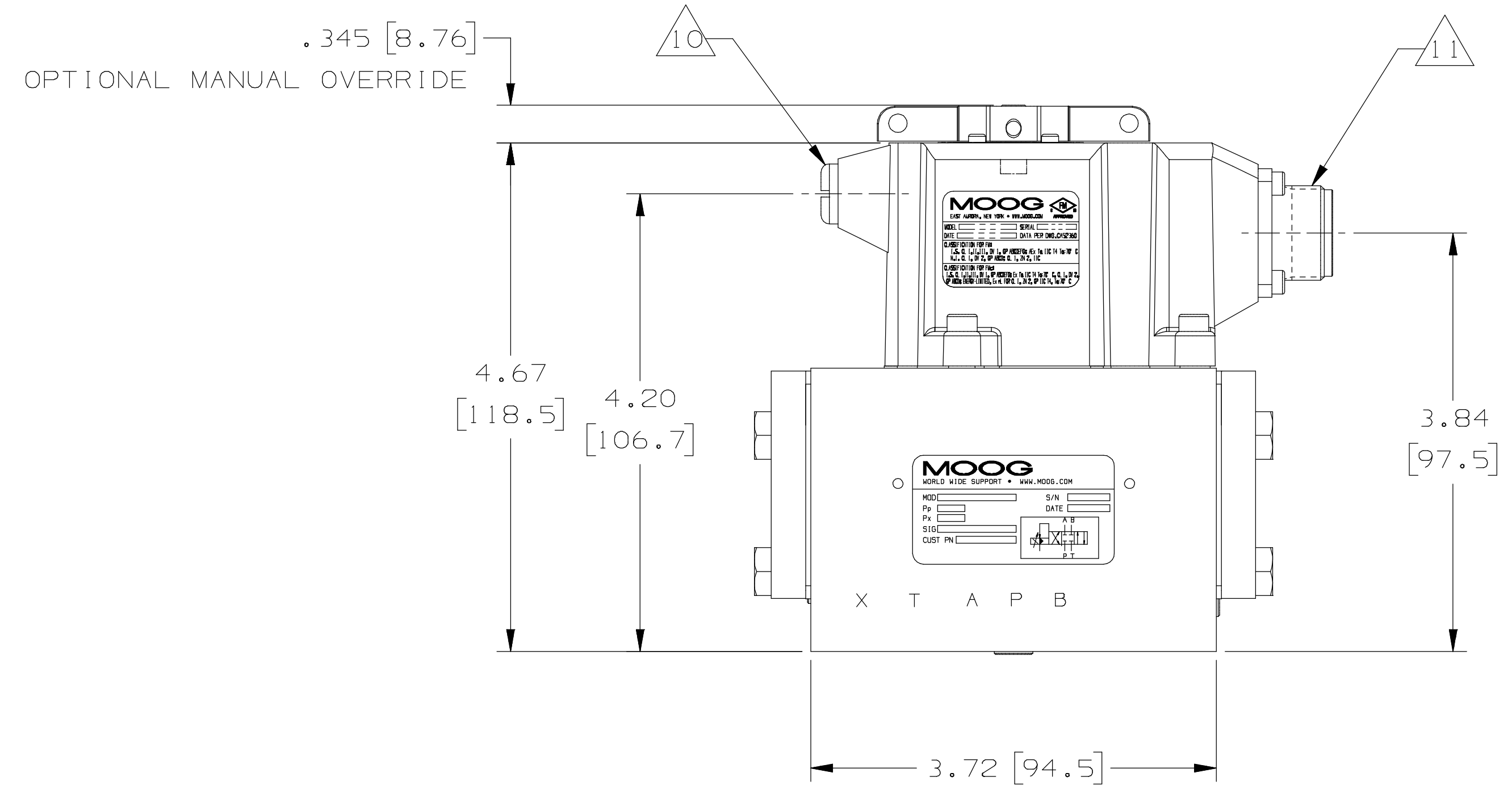
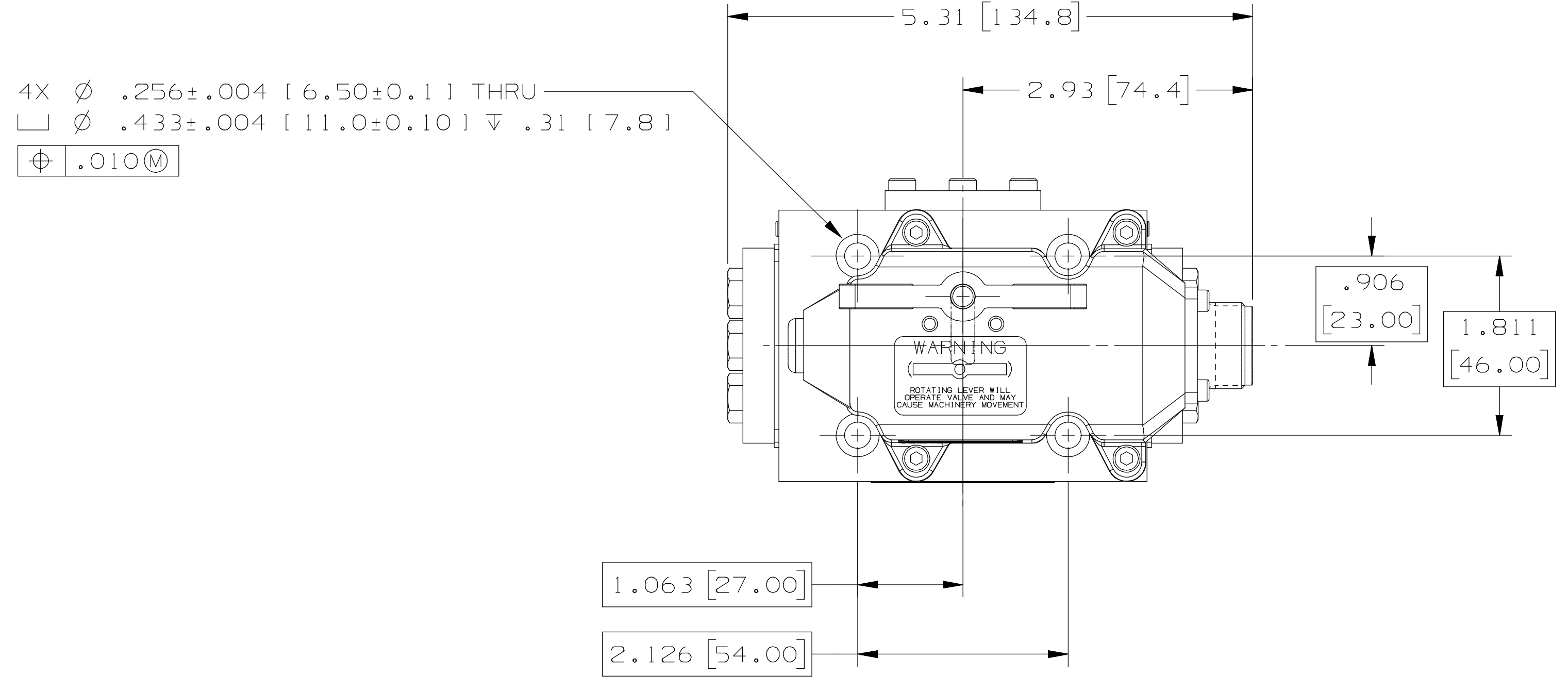


THIS TECHNICAL DATA/DRAWING/DOCUMENT CONTAINS MOOG PROPRIETARY AND CONFIDENTIAL INFORMATION. SUBSIDIARIES EXCEPT AS EXPRESSLY GRANTED BY CONTRACT OR BY OPERATION OF LAW AND IS RESTRICTED TO USE BY ONLY MOOG EMPLOYEES AND OTHER PERSONS AUTHORIZED IN WRITING BY MOOG OR AS EXPRESSLY GRANTED BY CONTRACT OR BY OPERATION OF LAW. NO PORTION OF THIS DATA/DRAWING/DOCUMENT BE REPRODUCED OR DISCLOSED OR COPIED OR PUBLISHED IN WHOLE OR IN PART OR BY ANY MEANS WITHOUT THE WRITTEN PERMISSION OF MOOG INC. OR MOOG INC. SUBSIDIARY.

REVISIONS				
ZONE	REV	DESCRIPTION	DATE	APPROVED
	B	SEE EO UE1033427	20100806	KJY/MEL

- NOTES:
- SERVOVALVE POLARITY: FLOW OUT CONTROL PORT B WITH:  
 SERIES COILS: B & C TIED, A+, D-  
 PARALLEL COILS: A & C TIED, B & D TIED, A+, D-  
 SINGLE COIL: A+, B-, OR C+, D-  
 (1.6) 63/
  - SURFACE TO WHICH VALVE IS MOUNTED REQUIRES  $\sqrt{\text{FINISH}}$  FLAT WITHIN .001 [.025].
  - MAX OPERATING PRESSURE: 4500 PSI [315 bar].
  - FLUID: PETROLEUM BASE HYDRAULIC FLUID, 60 TO 450 SSU AT 100°F [110 TO 97 CENTISTOKES AT 38 DEG. C].  
 FLUID CLEANLINESS LEVEL PER ISO 4406 (SAE J 1165) CODE 16/13 MAXIMUM.
  - OPERATING TEMPERATURE RANGE: -40°F TO +275°F [-40°C TO +135°C]
  - DIMENSIONS WITHOUT TOLERANCE ARE FOR REFERENCE ONLY;  
 DIMENSIONS IN [ ] ARE IN MILLIMETERS.
  - PORTS ARE .354 [9.00] DIA. C'BORED NOMINALLY .618 [15.70] O.D. X .059 [1.50] DEEP.
  - FIVE PORT O-RING ARE 2mm CROSS SECTION X 12mm I.D., (METRIC O-RING)
  - OPTIONAL PILOT PORT IS .29 [7.5] DIA. C'BORED .461 [11.70] DIA X .059 [1.50] DEEP.  
 O-RING IS 2MM CROSS-SECTION X 8MM I.D. (METRIC O-RING)
  - NULL ADJUST: CLOCKWISE ROTATION INCREASES FLOW OUT PORT "A"  
 (1/8 HEX SOCKET) BEHIND SCREW.  
 ELECTRICAL CONNECTOR: MATES WITH MS 3106F145-25  
 SUGGESTED MOUNTING SCREWS: .250-20 UNF X 2.75 LG. [M6 X 70] 4 REQUIRED.
  - VALVE WEIGHT: 4.6 LB [2.1 kg]
  - SUBPLATE: B52576-001
  - FLUSHING BLOCK: A72018-001K001



REVISION TO THIS DRAWING  
REQUIRES FM APPROVAL

INTERNATIONAL PART

631 SERIES		INSTALLATION, 631 SERIES VALVE		
QTY	PART OR IDENTIFYING NO.	NOMENCLATURE OR DESCRIPTION		BALLOON NO.
		PARTS LIST		
		MOOG INC.		
		MOOG INC., EAST AURORA, NY 14052		
		TITLE		
		INSTALLATION, 631 SERIES		
		SIZE	CAGE CODE	DWG NO.
		E 94697		C39262
		SCALE	WT	SHEET
		1/1		

PART NO. C39262

SHEET

UNIGRAPHICS DATA BASE