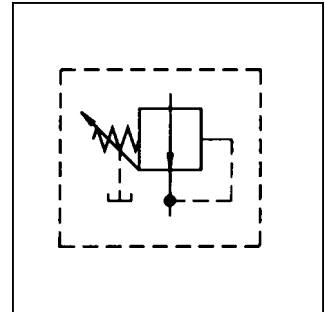
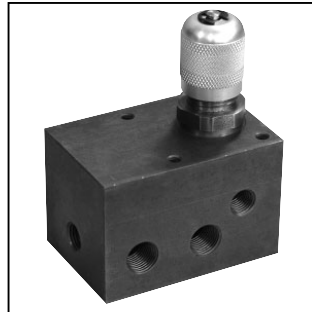


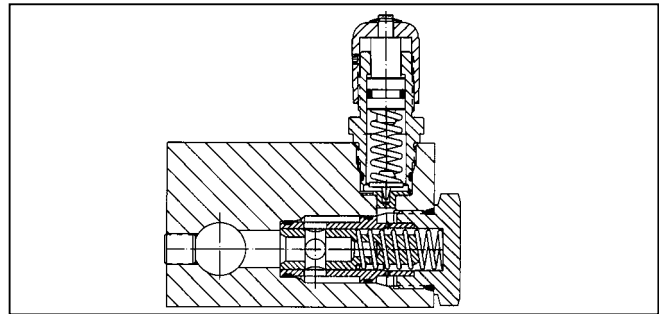
### General Description

Series PR6701 pressure reducing pressure control valves maintain an independently controlled constant outlet pressure on one leg of the hydraulic system, regardless of pressure at the valve inlet or on the main relief valve. Inlet pressure on the valve must be higher than the pressure setting on the valve.



### Features

- Recommended where limited reduced hydraulic pressure is required without using additional low pressure pump.
- Designed for up to 414 Bar (6000 PSI) primary pressure.
- Maintains regulated pressure within  $\pm 5\%$  under flow conditions.



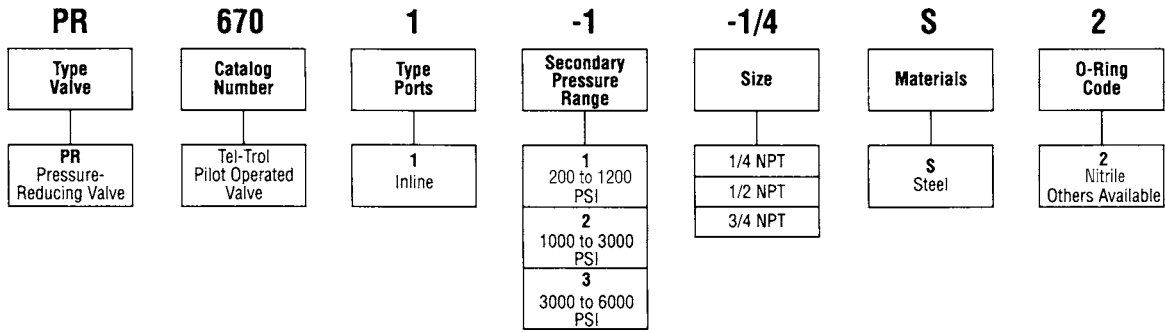
### Specifications

<b>Service App.</b>	Hydraulic Oil	<b>Sizes</b>	NPT 1/4", 1/2", 3/4"	
<b>Pressure Adjustment Range</b>	Range 1: Maximum Primary Pressure 138 Bar (2000 PSI) Regulated Secondary Pressure 13.8 - 82.8 Bar (200 - 1200 PSI)	<b>Ports</b>	NPT Pipe threads	
	Range 2: Maximum Primary Pressure 207 Bar (3000 PSI) Regulated Secondary Pressure 69 - 207 Bar (1000 - 3000 PSI)	<b>Mounting</b>	In-line or panel	
	Range 3: Maximum Primary Pressure 414 Bar (6000 PSI) Regulated Secondary Pressure 207 - 414 Bar (3000 - 6000 PSI)	<b>Material</b>	Body, Cap, Piston Sleeve, Pilot Cap	Steel
<b>Maximum Operating Pressure</b>	Proof: Ranges 1 & 2 310.5 Bar (4500 PSI) Range 3 621 Bar (9000 PSI)  Burst: Ranges 1 & 2 517.5 Bar (7500 PSI) Range 3 1035 Bar (15000 PSI)		Pilot Knob	Aluminum
			Piston, Adjustable Stem, Pilot Piston, Pilot Seat	400 Stainless Steel
			O-rings	Synthetic rubber
		Back-up Rings	PTFE	
		Body Finish	Paint	
		<b>Operating Temperature</b>	-40°C to +121°C (-40°F to +250°F)	

### Flow Data

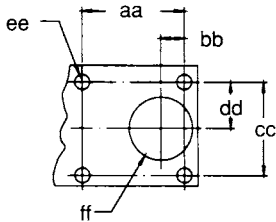
Valve Size	C <sub>v</sub> Factor Inlet to Inlet	Flow, Max. LPM (GPM)	Max. Pilot Flow to Tank	Weight kg (lbs.)
1/4	1.1	22.7 (6)	0.7 LPM (.18 GPM)	2.2 (4.75)
1/2	3.5	56.8 (15)	0.8 LPM (.21 GPM)	3.2 (7.0)
3/4	4.5	94.6 (25)	0.8 LPM (.22 GPM)	4.4 (9.6)

**Ordering Information**



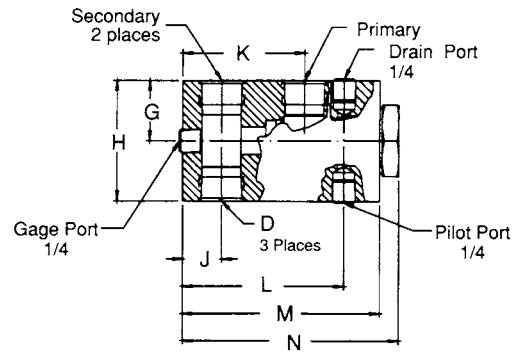
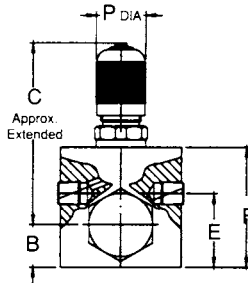
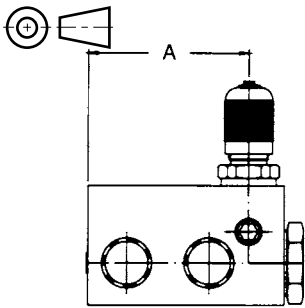
**Dimensions** — Shown in inches

**Panel Mounting Dimensions**



**Panel Machining for Panel Mounted Valves**

Valve Size	aa	bb	cc	dd	ee	ff	Mounting Threads
1/4	1.750	0.531	1.750	0.875	0.281	1.4375	1/4 - 20NC-2
1/2							
3/4	2.312	0.531	2.125	1.062	0.343	1.4375	5/16 - 18NC-2



Valve Size	A	B	C	Port Type D	E	F	G	H	J	K	L	M	N	P
1/4	2.313	.750	4.000	1/4 NPT	1.313	2.375	1.187	2.375	.625	1.563	2.313	3.125	3.437	1.125
1/2	3.188	.968	4.156	1/2 NPT	1.688	2.750	1.125	2.250	.750	2.250	3.188	4.000	4.437	1.125
3/4	3.688	.968	4.156	3/4 NPT	1.688	2.750	1.375	2.750	.891	2.781	3.688	4.500	4.937	1.125