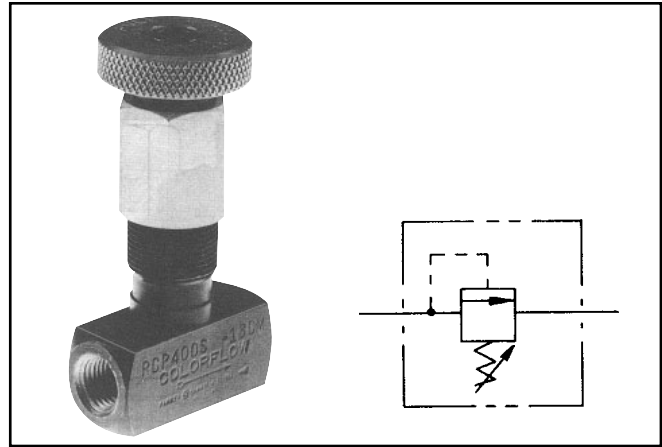


General Description

Series RCP in-line pressure control valves are chiefly used as remote control valves. They limit system pressure by opening to tank when pressure reaches the selected relief pressure.

When used as remote control valves, Series RCP valves are piped to the vent port of a pilot operated relief valve, such as Series RP and RM valves.

Pressure relief settings are made with a self-locking knob that is pulled and turned to the proper setting. Pushing the knob in locks it positively at this setting.

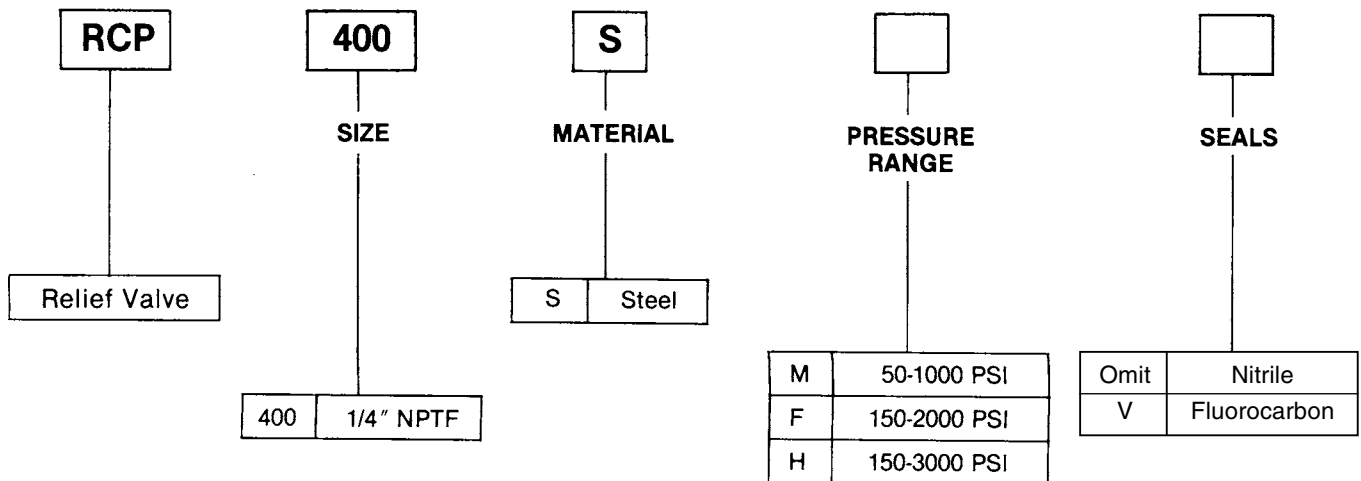


Specifications

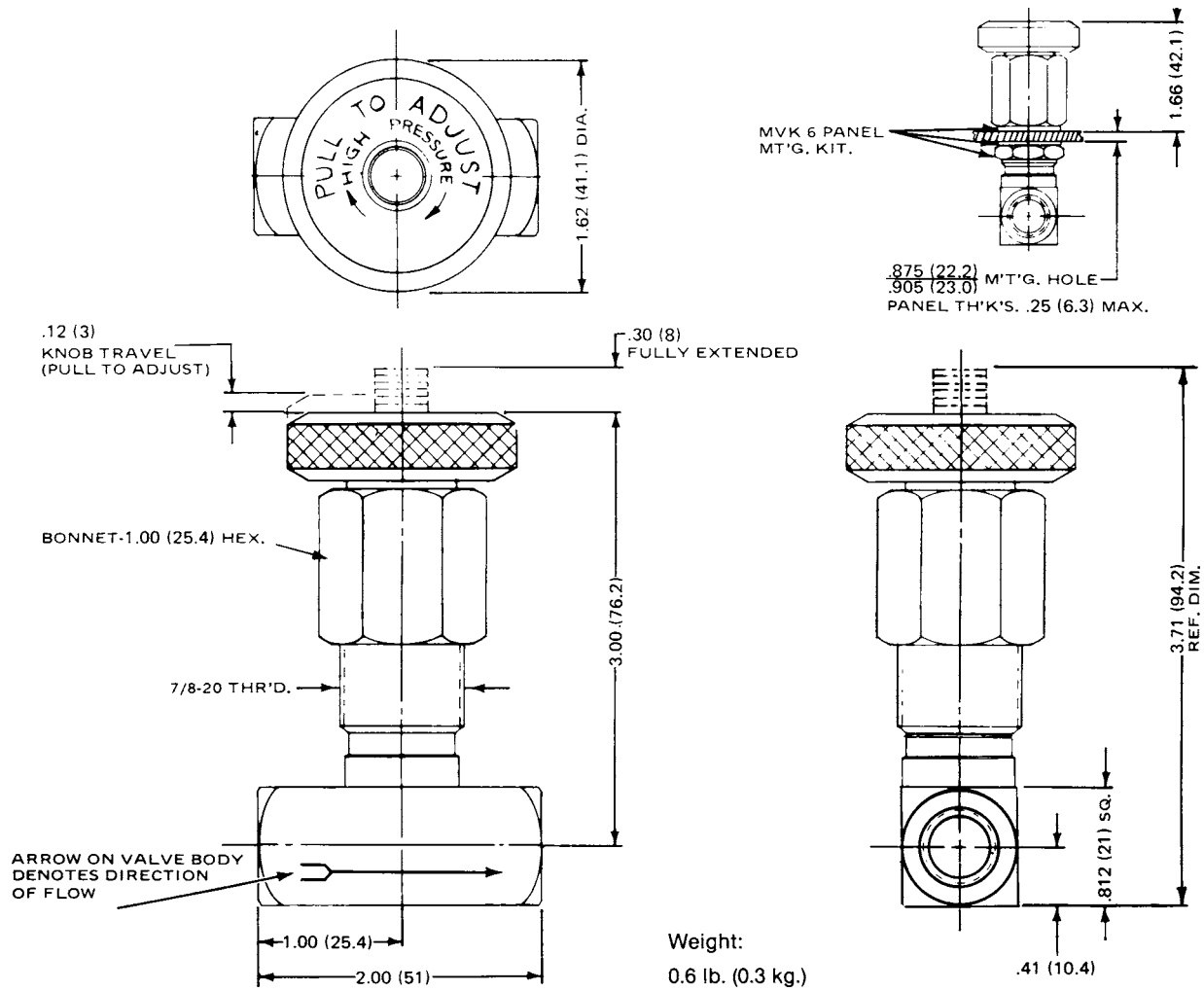
Pressure Adjustment Ranges	3 - 70 Bar (50 - 100 PSI) 10 - 140 Bar (150 - 2000 PSI) 10 - 210 Bar (150 - 3000 PSI)
Maximum Operating Pressure	210 Bar (3000 PSI)
Flow	4 LPM (1 GPM) Maximum 492 cc./min.(30 Cu. In./min.) Minimum
Pressure Setting	3.4 Bar (50 PSI) Minimum, at maximum flow Changes in flow, viscosity or temperature will affect minimum pressure
Size	1/4"
Port	NPTF
Mounting	Any position, panel mounting kit available

Ordering Information

Example: "RCP400SF" means Series RCP, 1/4", steel, 150—2000 PSI pressure adjustment range, standard nitrile seal.



Millimeter equivalents for inch dimensions are shown in (**)



Weight:
0.6 lb. (0.3 kg.)

