

### General Description

Series C5V direct operated check valves provide free flow in one direction and block the flow in the counter direction.

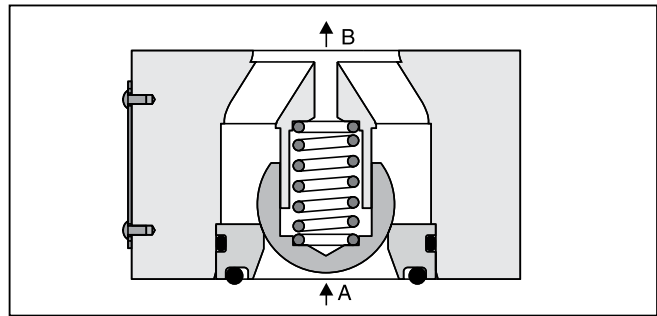
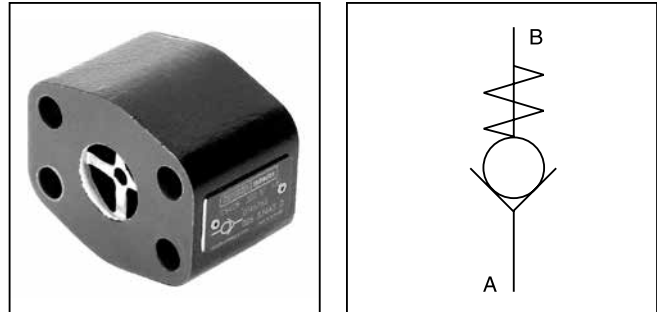
The SAE flanges allow to mount the C5V directly on the pressure port of pumps for protection against pressure shocks from the system.

### Operation

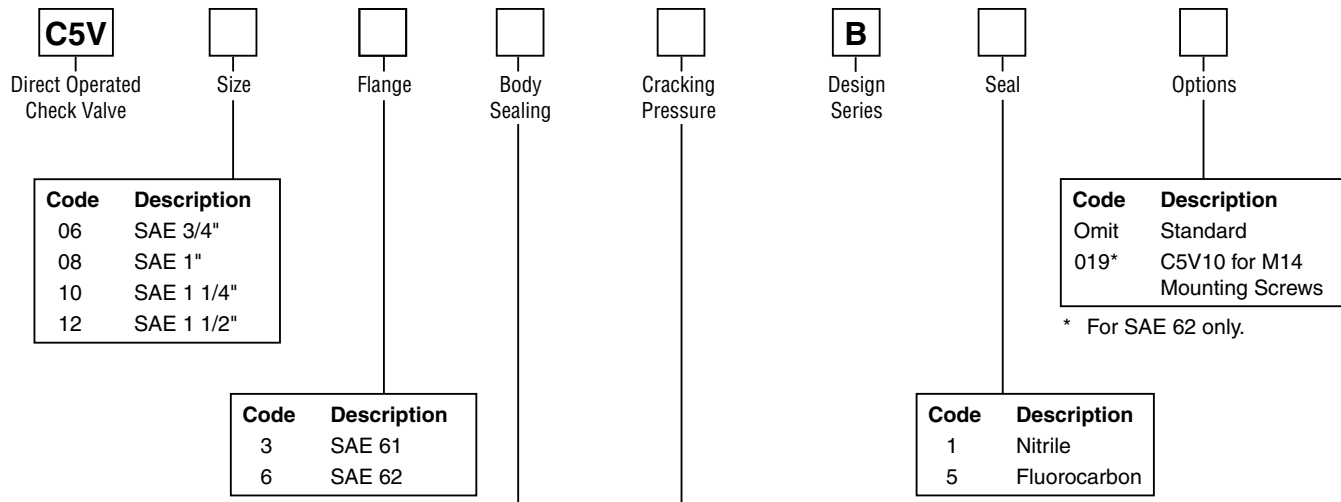
The ball is held on its seat by a spring under zero pressure condition. When flow is increased to the cracking pressure, free flow is allowed from port A to port B. Blocked flow is created when operating pressure and spring on Port B exceed pressure on port A.

### Features

- Direct operated check valve.
- SAE 61 and SAE 62 flanges.
- 4 sizes (SAE 3/4", 1", 1 1/4", 1 1/2").
- 3 springs.
- 2 different seal configurations.



### Ordering Information



\* For combination with R5U Unloading Valve (SAE 61 only).

**Weight:**

C5V06	0.6 kg (1.3 lbs.)
C5V08	0.9 kg (2.0 lbs.)
C5V10	1.3 kg (2.9 lbs.)
C5V12	1.8 kg (4.0 lbs.)

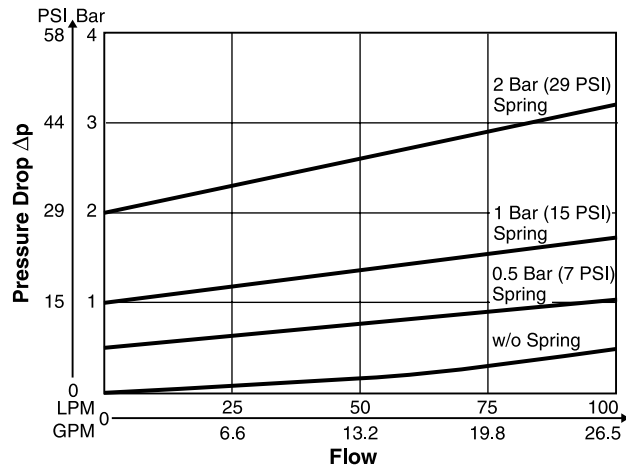
**Specifications**

General				
<b>Size</b>	<b>06 (3/4")</b>	<b>08 (1")</b>	<b>10 (1 1/4")</b>	<b>12 (1 1/2")</b>
<b>Mounting</b>	2-port in-line flange SAE 61 and SAE 62			
<b>Mounting Position</b>	Unrestricted			
<b>Ambient Temperature</b>	-20°C to +50°C (-4°F to +122°F)			
Hydraulic				
<b>Maximum Operating Pressure</b>				
<b>SAE 61</b>	350 Bar (5075 PSI)	350 Bar (5075 PSI)	280 Bar (4060 PSI)	210 Bar (3045 PSI)
<b>SAE 62</b>	420 Bar (6090 PSI)	420 Bar (6090 PSI)	420 Bar (6090 PSI)	420 Bar (6090 PSI)
<b>Nominal Flow</b>	100 LPM (26.5 GPM)	200 LPM (52.9 GPM)	400 LPM (105.8 GPM)	750 LPM (198.4 GPM)
<b>Fluid</b>	Hydraulic oil in accordance with DIN 51524...51525			
<b>Fluid Temperature</b>	-20°C to +80°C (-4°F to +176°F)			
<b>Viscosity</b>	<b>Permitted</b> 10 to 650 cSt / mm <sup>2</sup> /s (46 to 3013 SSU)			
	<b>Recommended</b> 30 cSt / mm <sup>2</sup> /s (139 SSU)			
<b>Filtration</b>	ISO 4406 (1999) 18/16/13 (acc. NAS 1638:7)			

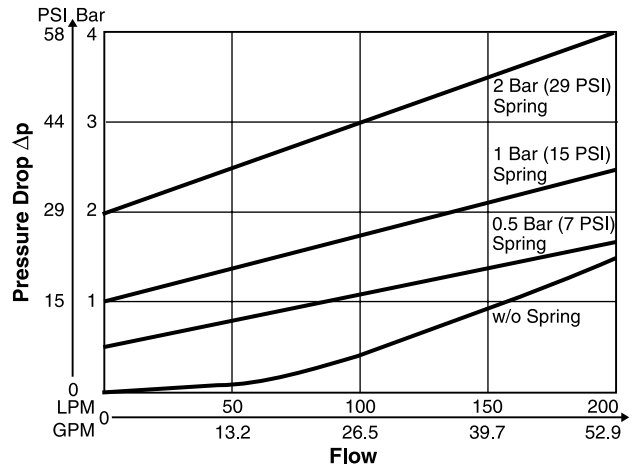


**Performance Curves**

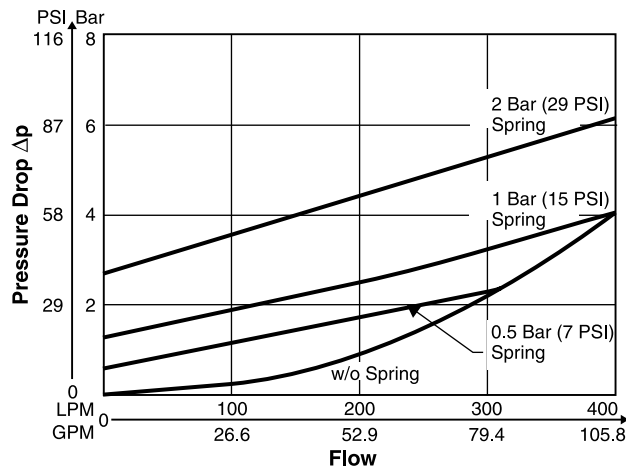
**C5V06**



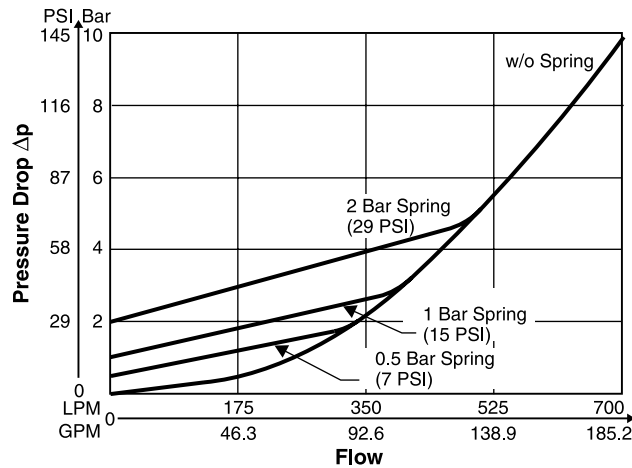
**C5V08**



**C5V10**

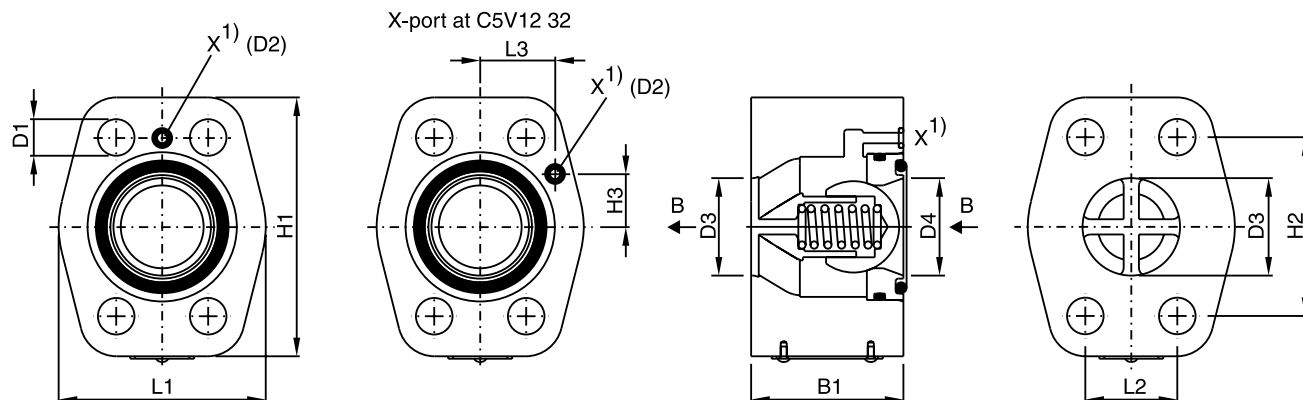


**C5V12**



C5V.indd, dd

Inch equivalents for millimeter dimensions are shown in (\*\*)



Position of O-ring seal according to ordering information

<sup>1)</sup> X1 port for C5V\*32\* (for use with Unloading Valve R5U)

Series	Nominal Size		L1	L2	L3	H1	H2	H3	B1	D1	D2	D3 + 0.8	D4
C5V06	3/4"	SAE 61	48.0 (1.89)	22.2 (0.87)	27.2 (1.07)	64.0 (2.52)	47.6 (1.87)	22.4 (0.88)	45.0 (1.77)	10.5 (0.41)	Ø3.0 (0.12)	19.0 (0.75)	19.0 (0.75)
		SAE 62	48.0 (1.89)	23.8 (0.94)	27.2 (1.07)	64.0 (2.52)	50.8 (2.00)	22.4 (0.88)	45.0 (1.77)	10.5 (0.41)	-	19.0 (0.75)	19.0 (0.75)
C5V08	1"	SAE 61	60.0 (2.36)	26.2 (1.03)	27.2 (1.07)	74.0 (2.91)	52.4 (2.06)	22.4 (0.88)	45.0 (1.77)	10.5 (0.41)	Ø3.0 (0.12)	25.0 (0.98)	25.0 (0.98)
		SAE 62	60.0 (2.36)	27.8 (1.09)	27.2 (1.07)	74.0 (2.91)	57.2 (2.25)	22.4 (0.88)	45.0 (1.77)	12.5 (0.49)	-	25.0 (0.98)	25.0 (0.98)
C5V10	1 1/4"	SAE 61	68.0 (2.68)	30.2 (1.19)	27.2 (1.07)	85.0 (3.35)	58.7 (2.31)	22.4 (0.88)	50.0 (1.97)	12.5 (0.49)	Ø3.0 (0.12)	32.0 (1.26)	32.0 (1.26)
		SAE 62	68.0 (2.68)	31.8 (1.25)	27.2 (1.07)	85.0 (3.35)	66.7 (2.63)	22.4 (0.88)	50.0 (1.97)	13.5* (0.53)	-	32.0 (1.26)	32.0 (1.26)
C5V12	1 1/2"	SAE 61	80.0 (3.15)	35.7 (1.41)	27.2 (1.07)	104.0 (4.09)	69.8 (2.75)	22.4 (0.88)	50.0 (1.97)	13.5 (0.53)	Ø3.0 (0.12)	42.0 (1.65)	38.0 (1.50)
		SAE 62	80.0 (3.15)	36.5 (1.44)	27.2 (1.07)	104.0 (4.09)	79.4 (3.13)	22.4 (0.88)	50.0 (1.97)	17.0 (0.67)	-	42.0 (1.65)	38.0 (1.50)

\* D1 = 15 (0.59) at option code 019 for M14 mounting screws.

Seal Kits		
NG	Nitrile	Fluorocarbon
3	S26-75409-0	S26-75409-5
6	S26-75410-0	S26-75410-5
10	S26-75411-0	S26-75411-5
12	S26-75412-0	S26-75412-5