

MOOG

631 Series Installation and Operation Instruction

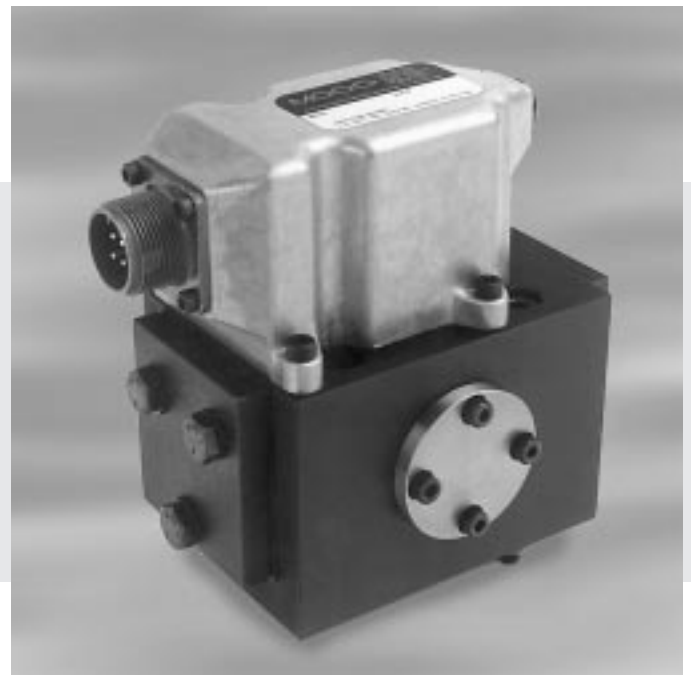
Electrohydraulic Servovalve

1. INTRODUCTION

This manual provides instructions and procedures necessary to install, operate and troubleshoot the Moog 631 Series Industrial Servovalve. Troubleshooting instructions are outlined so that only the specific component(s) suspected of failure may be identified.

2. OPERATION

The Moog 631 Series Industrial Servovalve consists of a polarized electrical torque motor and two stages of hydraulic power amplification. The motor armature extends into the air gaps of the magnetic flux circuit and is supported in this position by a flexure tube member. The flexure tube acts as a seal between the electromagnetic and hydraulic sections of the valve. The two motor coils surround the armature, one on each side of the flexure tube.



The flapper of the first stage hydraulic amplifier is rigidly attached to the midpoint of the armature. The flapper extends through the flexure tube and passes between two nozzles, creating two variable orifices between the nozzle tips and the flapper. The pressure controlled by the flapper and nozzle variable orifice is fed to the end areas of the second stage spool.

The second stage is a conventional 4-way spool design in which output flow from the valve, at a fixed valve pressure drop, is proportional to spool displacement from the null position. A cantilever feedback spring is fixed to the flapper and engages a hole at the center of the spool. Displacement of the spool deflects the feedback spring which creates a force on the armature/flapper assembly.

Input signal induces a magnetic charge in the armature and causes a deflection of the armature and flapper. This assembly pivots about the flexure tube and increases the size of one nozzle orifice and decreases the size of the other.

This action creates a differential pressure from one end of the spool to the other and results in spool displacement. This causes a force in the feedback wire which opposes the original input signal torque. Spool movement continues until the feedback wire force equals the input signal force.

ELECTROHYDRAULIC VALVE CUT-AWAY

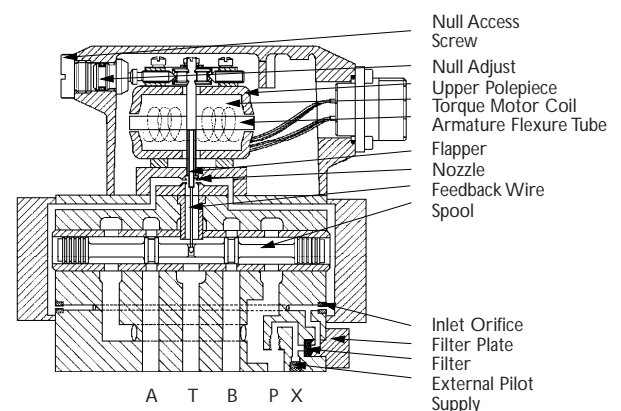


Figure 1 Moog Series 631

CAUTION

DISASSEMBLY, MAINTENANCE, OR REPAIR OTHER THAN IN ACCORDANCE WITH THE INSTRUCTIONS HEREIN OR OTHER SPECIFIC WRITTEN DIRECTIONS FROM MOOG WILL INVALIDATE MOOG'S OBLIGATIONS UNDER ITS WARRANTY.

3. HYDRAULIC SYSTEM PREPARATION

To prolong servovalve operational life and to reduce hydraulic system maintenance, it is recommended that the hydraulic fluid be kept at a cleanliness level of ISO DIS 4406 code 16/13 maximum, 14/11 recommended. The most effective filtration scheme uses a kidney loop or "off-line" filtration. The filter for the "off-line" filtration should be a $\beta_3 \geq 75$ filter for maximum effectiveness.

Upon system startup, and prior to mounting the servovalve, the entire hydraulic system should be purged of built-in contaminating particles by an adequate flushing. The servovalve should be replaced by a flushing manifold and the hydraulic circuit powered up under conditions of fluid temperature and fluid velocity reasonably simulating normal operating conditions. New system filters are installed during the flushing process whenever the pressure drop across the filter element becomes excessive. The flushing processes should turn over the fluid in the reservoir between fifty to one hundred times.

To maintain a clean hydraulic system, the filters must be replaced on a periodic basis. It is best to monitor the pressure drop across the filter assembly and replace the filter element when the pressure drop becomes excessive. In addition to other filters that are installed in the hydraulic circuit, it is recommended that a large capacity, low pressure $\beta_3 \geq 75$ filter be installed in the return line. This filter will increase the interval between filter element replacements and greatly reduce the system contamination level.

4. INSTALLATION

The Moog 631 Series Servovalves may be mounted in any position, provided the servovalve pressure, control, and return ports match respective manifold ports. The mounting pattern and port location of servovalve are shown on Figure 4. Apply a light film of oil to the mounting screw threads and torque the screws to 96 inch-pounds.

Wiring mating connector for desired coil configuration and polarity. Thread connector to valve.

5. MECHANICAL NULL ADJUSTMENT

It may be desirable to adjust the servovalve for flow null independent of other system parameters. The mechanical null adjustment permits convenient control function set-ups.

The mechanical null adjuster is a hex socket setscrew located behind the pan head screw in the motor cap (see Figure 2) which, when adjusted, provides control of the spool position to obtain the desired flow null.

NORMAL ADJUSTMENT SHOULD REQUIRE LESS THAN \pm ONE TURN.

LIMIT NULL SCREW ADJUSTMENT TO LESS THAN \pm TWO TURNS.

Adjustment Procedure

- Using a blade screwdriver, remove the null access screw to permit adjustment of the hex socket setscrew.
- Using a 2-1/2 inch long, 1/8 inch Allen Wrench, adjust the set screw to obtain the desired flow null.

Note: Clockwise rotation of the set screw produces flow out port A.

- After the desired flow null has been obtained, replace the null access screw.

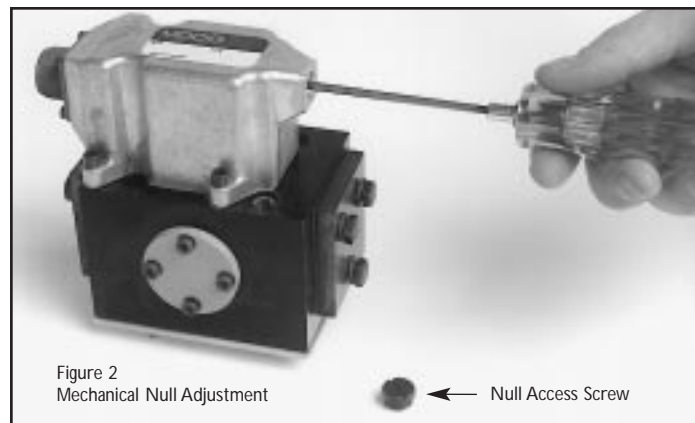
Tools and Equipment

- Blade screwdriver
- Allen wrench set (3mm, 1/8 inch)
- Tweezers

Table 1. Replacement Parts

Part Description	Qty.	Part Number
631 Series Filter Replacement Kit	1	B52555RK69K1
Base O-Ring	5	G2141-12-20
Base O-Ring	1	G2141-8-20
Filter O-Ring (1)	1	G2141-13-15
Filter O-Ring (1)	1	G2141-17-20
Filter (1)	1	G2916-100

(1) Included in Filter Replacement Kit



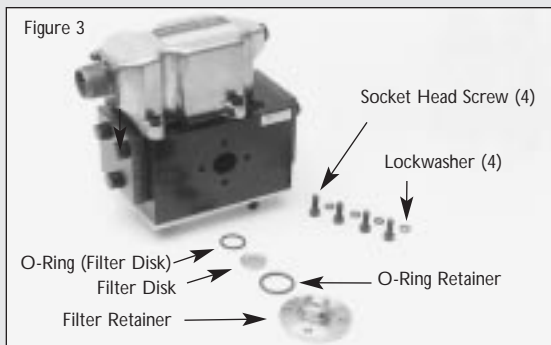
6. GENERAL SERVICING RECOMMENDATIONS

- Disconnect the electrical lead to the servovalve.
- Relieve the hydraulic system of residual pressure.
- Remove the servovalve.

7. TROUBLESHOOTING CHART

The following troubleshooting chart list potential troubles encountered, probable causes, and remedies.

Potential Trouble	Probable Cause	Remedy
Servovalve does not follow input command signal. (Actuator or components are stationary or creeping slowly).	1. Plugged inlet filter element	1. Replace filter element
High threshold. (Jerky, possible oscillatory or "hunting" motion in closed loop system).	1. Plugged filter element	1. Replace filter element
Poor response. (Servovalve output lags electrical command signal).	1. Partially plugged filter element	1. Replace filter element
High null bias (High input current required to maintain hydraulic cylinder or motor stationary).	1. Incorrect null adjustment 2. Partially plugged filter element	1. Readjust null 2. Replace filter element and check for dirty hydraulic fluid in system



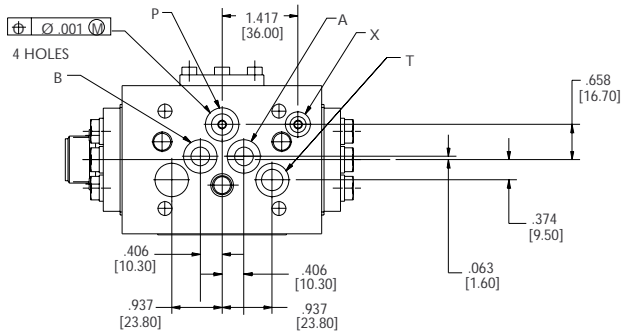
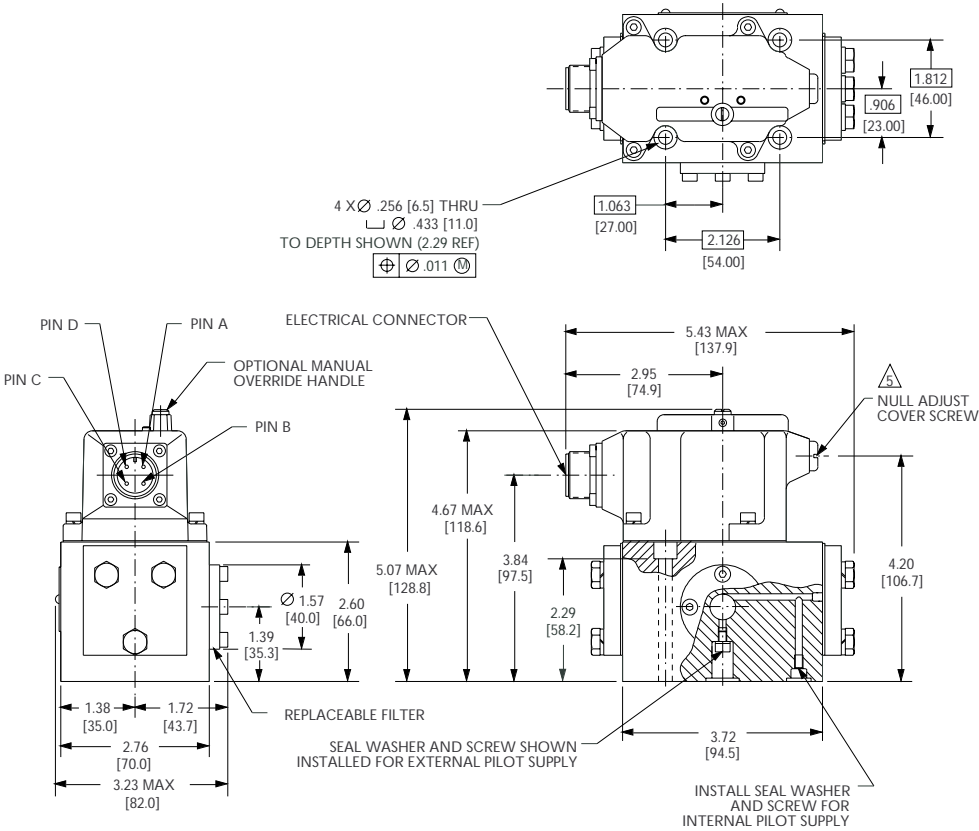
8. FILTER ASSEMBLY REPLACEMENT

- Remove the four socket head capscrews and lockwashers with 3mm Allen wrench.
- Remove the filter retainer.
- Remove and discard the filter disk.
- Remove and replace the O-Ring on the filter retainer and the O-Ring in the filter bore.
- Reinstall in reverse order, torque screws to 35-40 in-lbs.

9. AUTHORIZED REPAIR FACILITIES

Moog does not authorize any facilities other than Moog or Moog subsidiaries to repair its servovalves. It is recommended you contact Moog at (716)655-3000 to locate your closest Moog repair facility. Repair by an independent (unauthorized) repair house will result in voiding the Moog warranty and could lead to performance degradation or safety problems.

631 SERIES INSTALLATION AND OPERATION INSTRUCTION



NOTES

1 Fluid:

Industrial type petroleum base hydraulic fluid, maintained to ISO DIS 4406 Code 14/11 recommended.

2 Operating Temperature Range:

0°F [-18°C] TO +200°F [+93°C].

⚠ Valve Phasing:

Flow out port B results when:
 Series coils: B & C connected, A+, D-;
 Parallel coils: A & C connected, B & D connected, A+, D-.

⚠ Surface:

Surface to which valve is mounted requires \surd ($\nabla\nabla$) finish, flat within .002 [0.05] TIR.

⚠ Null Adjust:

Flow out Port A results with clockwise rotation of null adjust set screw (1/8 hex key).

TYPICAL WIRING SCHEMATIC

