

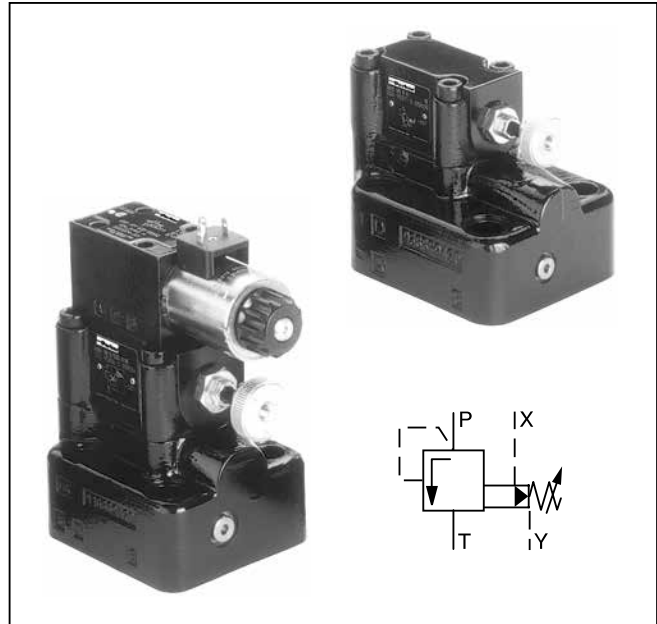
General Description

Series R4V and R6V pressure relief valves feature a manual adjustment pilot stage which controls a seated type main stage.

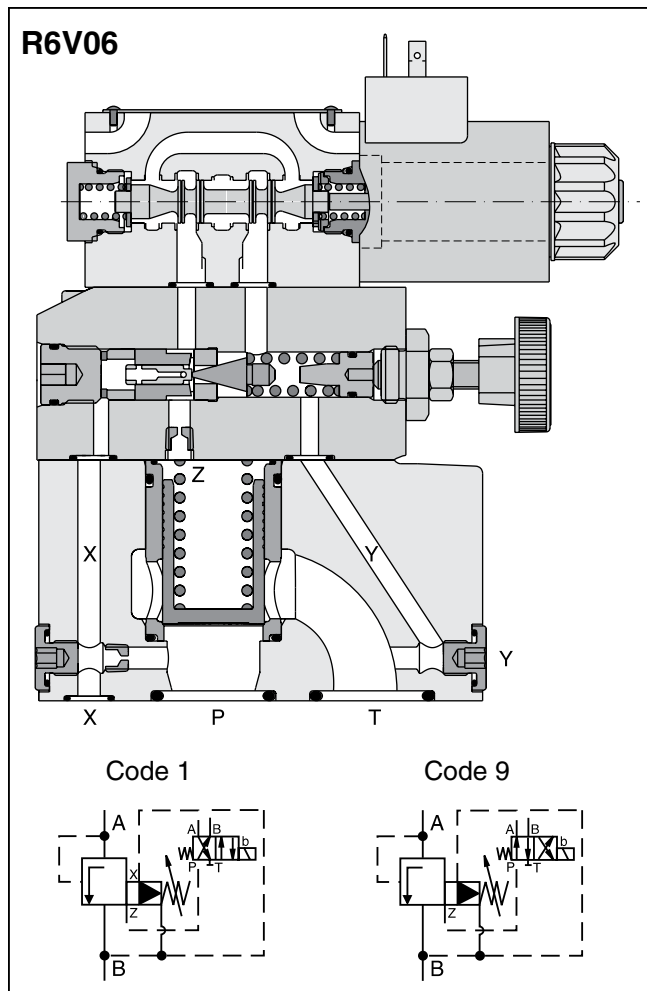
A vent function with a solenoid operated directional valve is available for circulation at minimum pressure.

Features

- Pilot operated with manual adjustment.
- 2 interfaces:
 - Subplate, ISO 6264 (DIN 24340 Form D) with VV01 vent valve (R4V)
 - Subplate, ISO 6264 (DIN 24340 Form E) with CETOP 03 vent valve (R6V)
- 3 pressure ranges.
- 3 adjustment modes:
 - Hand knob
 - Acorn nut with lead seal
 - Key lock
- Remote control via port X.



D



Function

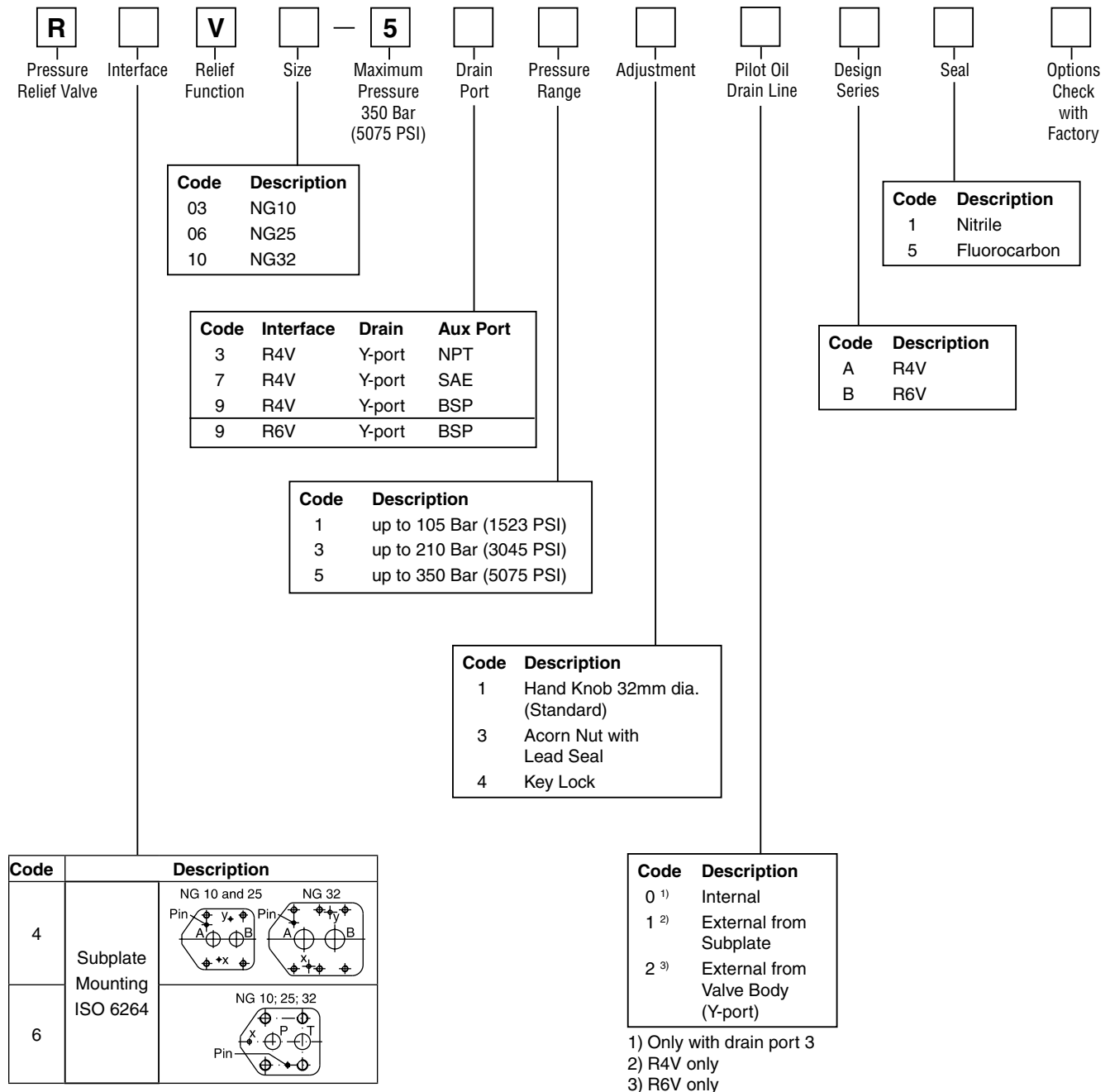
System pressure in port P is applied via the X gallery to the spring loaded cone in the pilot head. The pilot head controls the pressure in the Z area on top of the main cartridge which is additionally kept close by the main spring.

If the pilot pressure exceeds the setting pressure the pilot cone opens and thus limits the pilot pressure.

When the system pressure exceeds the pilot pressure plus the spring force, the main cartridge opens to port T and limits the pressure in port P to the adjusted level.

Additionally to the relief function, a solenoid operated vent valve connects the Z area to tank. This allows oil circulation from P to T at minimum pressure drop. The vent valve can either be a standard CETOP 03 valves (mounting form E) or a sandwich unit (mounting form D). For both types the vent position can be either at the energized or de-energized solenoid.

D



Weight:

| | |
|-------|--------------------|
| R4V03 | 2.7 kg (6.0 lbs.) |
| R4V06 | 4.5 kg (9.9 lbs.) |
| R4V10 | 6.0 kg (13.2 lbs.) |
| R6V03 | 4.5 kg (9.9 lbs.) |
| R6V06 | 5.8 kg (12.8 lbs.) |
| R6V10 | 7.8 kg (17.2 lbs.) |

| | | | | | | | | | | | | | | |
|-----------------------|-----------|-----------------|------|-------------------------------------|------------|----------------|------------|----------------------|---------------------|------------------|---------------|------|---------------|--|
| R | | V | | 5 | | | | | | | | | | |
| Pressure Relief Valve | Interface | Relief Function | Size | Maximum Pressure 350 Bar (5075 PSI) | Drain Port | Pressure Range | Adjustment | Pilot Oil Drain Line | Vent Valve Function | Solenoid Voltage | Design Series | Seal | Modifications | |

| Code | Description |
|------|-------------|
| 03 | NG10 |
| 06 | NG25 |
| 10 | NG32 |

| Code | Interface | Drain | Aux Port |
|------|-----------|--------|----------|
| 3 | R4V | Y-port | NPT |
| 7 | R4V | Y-port | SAE |
| 9 | R4V | Y-port | BSP |
| 9 | R6V | Y-port | BSP |

| Code | Description |
|------|--------------------------|
| 1 | up to 105 Bar (1523 PSI) |
| 3 | up to 210 Bar (3045 PSI) |
| 5 | up to 350 Bar (5075 PSI) |

| Code | Description |
|------|--------------|
| 1 | Nitrile |
| 5 | Fluorocarbon |

| Code | Description |
|------|-------------|
| A | R4V |
| B | R6V |

| Code | Description |
|------|------------------------------|
| G0R | 12V |
| G0Q | 24V |
| GAR | 98V |
| GAG | 205V |
| W30 | 110V / 50 Hz 120V / 60 Hz |
| W31 | 230V / 50 Hz 240V / 60 Hz |

| Code | Description |
|------|---|
| 09 | Solenoid not activated unpress. circulation |
| 11 | Solenoid activated unpress. circulation |

| Code | Description |
|-----------------|-----------------------------------|
| 0 ¹⁾ | Internal |
| 1 ²⁾ | External from Subplate |
| 2 ³⁾ | External from Valve Body (Y-port) |

| Code | Description |
|------|--------------------------|
| 1 | Hand Knob (Standard) |
| 3 | Acorn Nut with Lead Seal |
| 4 | Key Lock |

| Code | Description |
|------|----------------------------|
| 4 | Subplate Mounting ISO 6264 |
| 6 | |

| Code | Description |
|-------------------|---------------------------------|
| 031 ²⁾ | Vent Function w/ Slow Unloading |
| VFM ³⁾ | Vent Function w/ Slow Unloading |

2) R4V only
 3) R6V only

Weight:

| | |
|-------|--------------------|
| R4V03 | 4.4 kg (9.7 lbs.) |
| R4V06 | 6.2 kg 13.7 (lbs.) |
| R4V10 | 7.7 kg (17.0 lbs.) |
| R6V03 | 5.9 kg (13.0 lbs.) |
| R6V06 | 7.2 kg (15.9 lbs.) |
| R6V10 | 9.2 kg (20.3 lbs.) |



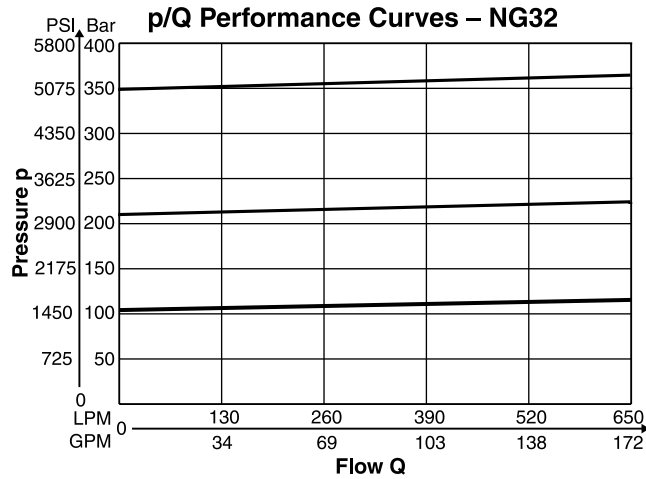
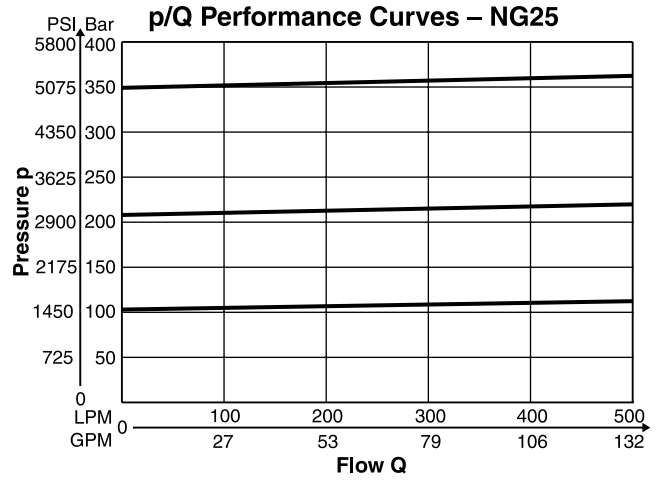
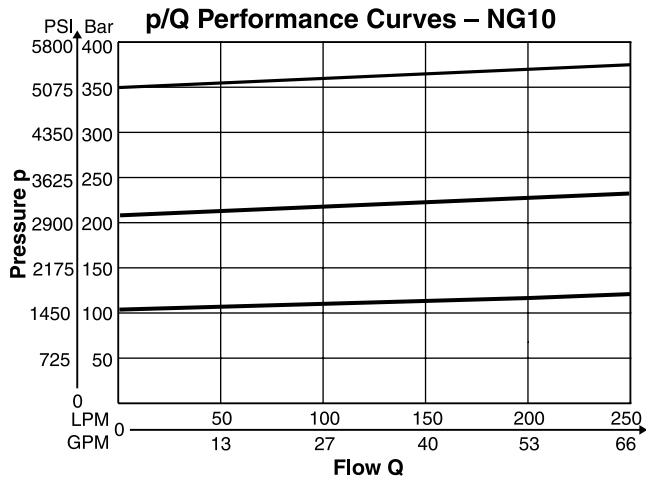
R4V and R6V

| General | | NG10 | | NG25 | | NG32 | |
|----------------------------|--|---|--|---------------------|--|---------------------|--|
| Size | | | | | | | |
| Interface | Subplate mounting acc. ISO 6264 (DIN 24340) | | | | | | |
| Mounting Position | As desired, horizontal mounting preferred | | | | | | |
| Ambient Temperature | -20°C to +80°C (-4°F to +176°F) | | | | | | |
| Hydraulic | | | | | | | |
| Operating Pressure | Ports P or A and X up to 350 Bar (5075 PSI), Port T or B and Y depressurized | | | | | | |
| Pressure Range | 105, 210, 350 Bar (1523, 3045, 5075 PSI) | | | | | | |
| Nominal Flow | Series R4V | 150 LPM (39.7 GPM) | | 350 LPM (92.6 GPM) | | 650 LPM (172.0 GPM) | |
| | Series R6V | 250 LPM (66.1 GPM) | | 500 LPM (132.3 GPM) | | 650 LPM (172.0 GPM) | |
| Fluid | Hydraulic oil according to DIN 51524 ... 51525 | | | | | | |
| Viscosity | Recommended Permitted | 30 to 50 cSt / mm ² /s (139 to 232 SSU) | | | | | |
| | | 20 to 380 cSt / mm ² /s (93 to 1761 SSU) | | | | | |
| Fluid Temperature | Recommended Maximum | +30°C to +50°C (+86°F to +122°F) | | | | | |
| | | -20°C to +70° (-4°F to +158°F) | | | | | |
| Filtration | ISO 4406 (1999), 18/16/13 | | | | | | |

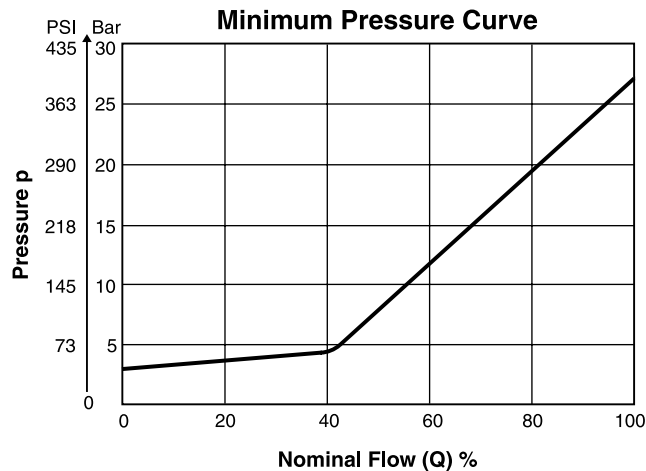
R4V and R6V with Vent Function

| General | | NG10 | | NG25 | | NG32 | |
|------------------------------|--|---|------------|---------------------|------------|----------------------------|----------------------------|
| Size | | | | | | | |
| Interface | Subplate mounting acc. ISO 6264 (DIN 24340) | | | | | | |
| Mounting Position | As desired, horizontal mounting preferred | | | | | | |
| Ambient Temperature | -20°C to +80°C (-4°F to +176°F) | | | | | | |
| Hydraulic | | | | | | | |
| Operating Pressure | Ports P or A and X up to 350 Bar (5075 PSI), Port T or B and Y depressurized | | | | | | |
| Pressure Range | 105, 210, 350 Bar (1523, 3045, 5075 PSI) | | | | | | |
| Nominal Flow | Series R4V | 150 LPM (39.7 GPM) | | 350 LPM (92.6 GPM) | | 650 LPM (172.0 GPM) | |
| | Series R6V | 250 LPM (66.1 GPM) | | 500 LPM (132.3 GPM) | | 650 LPM (172.0 GPM) | |
| Fluid | Hydraulic oil according to DIN 51524 ... 51525 | | | | | | |
| Viscosity | Recommended Permitted | 30 to 50 cSt / mm ² /s (139 to 232 SSU) | | | | | |
| | | 20 to 380 cSt / mm ² /s (93 to 1761 SSU) | | | | | |
| Fluid Temperature | -20°C to +70° (-4°F to +158°F) | | | | | | |
| Filtration | ISO 4406 (1999), 18/16/13 | | | | | | |
| Electrical (solenoid) | | | | | | | |
| Duty Cycle | 100% ED CAUTION: Coil temperature up to 180°C (356°F) | | | | | | |
| Solenoid Connector | Connector acc. to EN 175301-803 | | | | | | |
| Protection Class | IP65 in accordance with EN 60529 (plugged and mounted) | | | | | | |
| | Code | G0R | G0Q | GAR | GAG | W30 | W31 |
| Supply Voltage | | 12V | 24V | 98V | 205V | 110 at 50Hz 120 at 60Hz | 230 at 50Hz 240 at 60Hz |
| Supply Tolerance | | +5...-10 | +5...-10 | +5...-10 | +5...-10 | +5...-10 | +5...-10 |
| Power Consumption | Hold | 31W | 31W | 31W | 31W | 78W | 78W |
| | In Rush | 31W | 31W | 31W | 31W | 264W | 264W |
| Switching Frequency | 16,000 (DC), 7200 (AC) switchings/hour maximum | | | | | | |
| Wiring Minimum | 3 x 1.5 mm ² Recommended | | | | | | |
| Wiring Length Maximum | 50 m (164 ft.) Recommended | | | | | | |

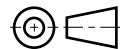
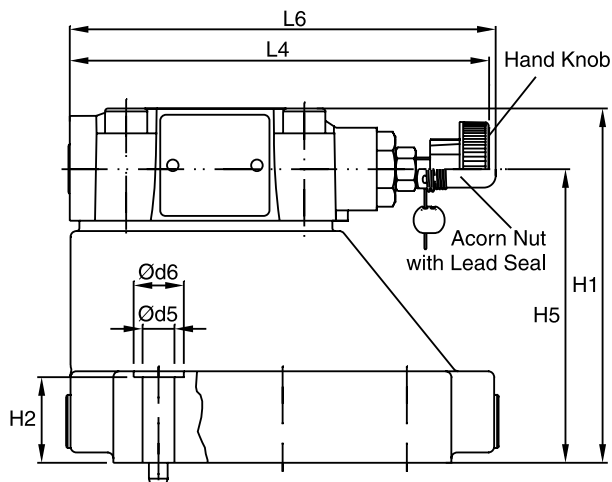
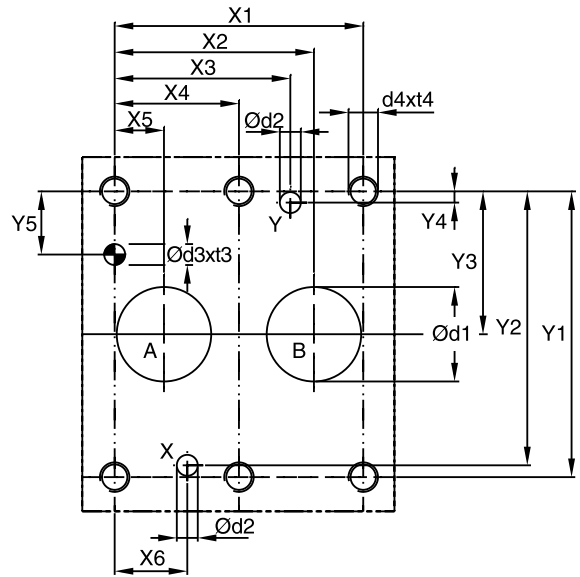
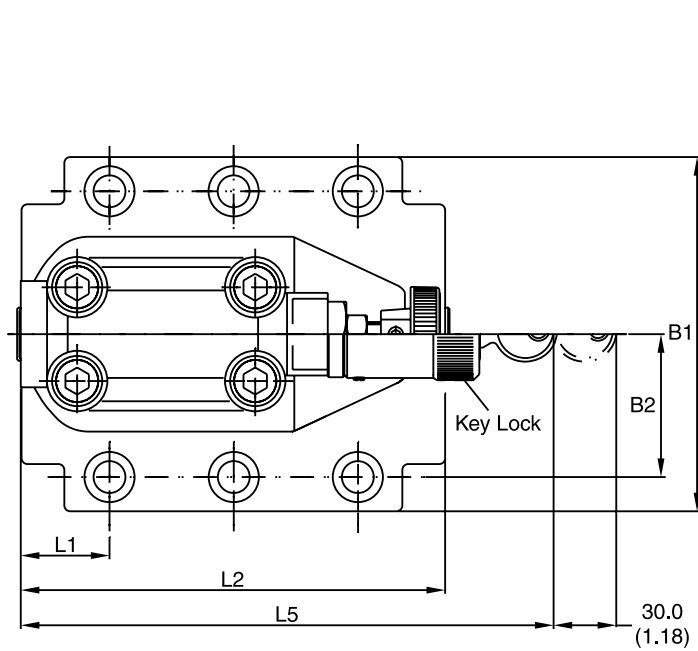
R4V-R6V RS_R RS_M.indd, dd



The performance curves are measured with external drain.
 For internal drain the tank pressure has to be added to curve.



D





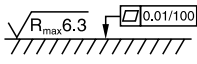
Inch equivalents for millimeter dimensions are shown in (**)

| NG | ISO-code | x1 | x2 | x3 | x4 | x5 | x6 | x7 | y1 | y2 | y3 | y4 | y5 | y6 |
|----|-----------------|----------------|----------------|----------------|----------------|----------------|----------------|---------------|----------------|----------------|----------------|---------------|----------------|--------|
| 10 | 6264-06-07-*-97 | 42.9 (1.69) | 35.8 (1.41) | 21.5 (0.85) | — — | 7.2 (0.28) | 21.5 (0.85) | 0.0 (0.00) | 66.7 (2.63) | 58.8 (2.31) | 33.4 (1.31) | 7.9 (0.31) | 14.3 (0.56) | — — |
| 25 | 6264-08-11-*-97 | 60.3 (2.37) | 49.2 (1.94) | 39.7 (1.56) | — — | 11.1 (0.44) | 20.6 (0.81) | 0.0 (0.00) | 79.4 (3.13) | 73.0 (2.87) | 39.7 (1.56) | 6.4 (0.25) | 15.9 (0.63) | — — |
| 32 | 6264-10-15-*-97 | 84.2 (3.31) | 67.5 (2.66) | 59.5 (2.34) | 42.1 (1.66) | 16.7 (0.66) | 24.6 (0.97) | 0.0 (0.00) | 96.8 (3.81) | 92.8 (3.65) | 48.4 (1.91) | 3.8 (0.15) | 21.4 (0.84) | — — |

Tolerance at X and Y pin holes and screw holes ±0.1, at port holes ±0.2.

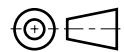
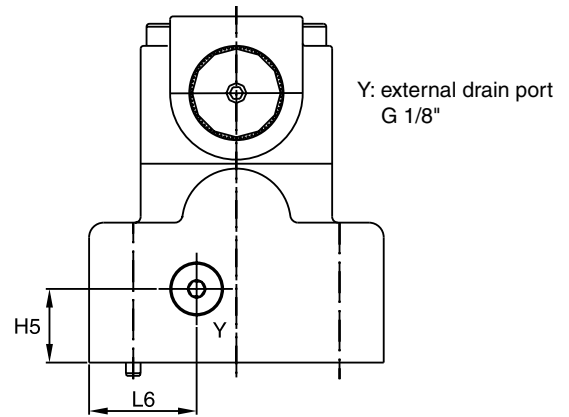
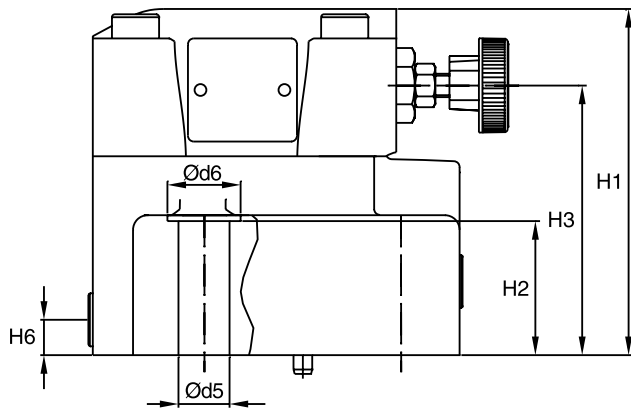
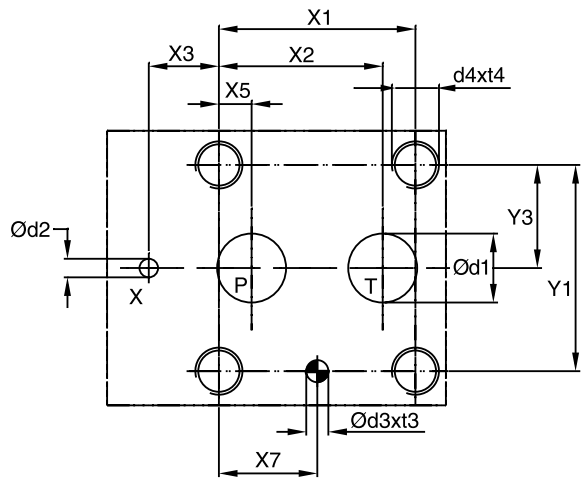
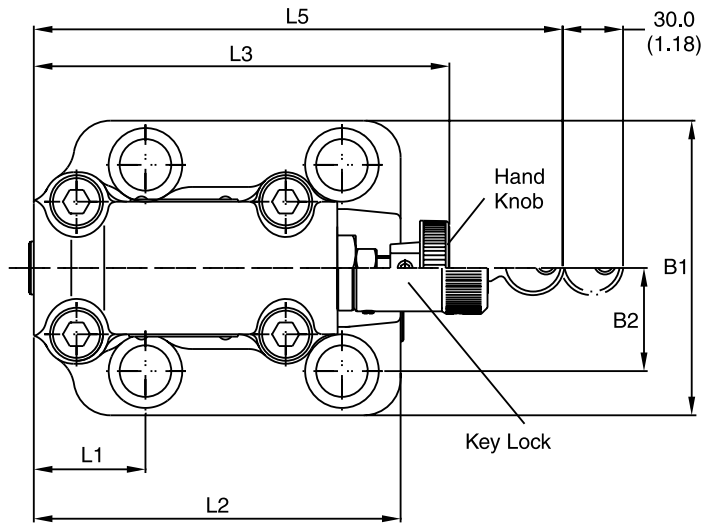
| NG | ISO-code | B1 | B2 | H1 | H2 | H3 | H4 | H5 | H6 | L1 | L2 | L3 | L4 | L5 | L6 |
|----|-----------------|-----------------|----------------|-----------------|----------------|--------|--------|----------------|--------|----------------|-----------------|--------|-----------------|-----------------|-----------------|
| 10 | 6264-06-07-*-97 | 87.3 (3.44) | 33.4 (1.31) | 83.0 (3.27) | 21.0 (0.83) | — — | — — | 62.5 (2.46) | — — | 29.0 (1.14) | 94.8 (3.73) | — — | 143.0 (5.63) | 181.0 (7.13) | 144.8 (5.76) |
| 25 | 6264-08-11-*-97 | 105.0 (4.13) | 39.7 (1.56) | 109.5 (4.31) | 29.0 (1.14) | — — | — — | 89.0 (3.50) | — — | 34.7 (1.37) | 126.8 (4.99) | — — | 143.0 (5.63) | 181.0 (7.13) | 144.8 (5.76) |
| 32 | 6264-10-15-*-97 | 120.0 (4.72) | 48.4 (1.91) | 120.0 (4.72) | 29.0 (1.14) | — — | — — | 99.5 (3.92) | — — | 30.6 (1.20) | 144.3 (5.68) | — — | 143.0 (5.63) | 181.0 (7.13) | 144.8 (5.76) |

| NG | ISO-code | d1max | d2max | d3 | t3 | d4 | t4 | d5 | d6 |
|----|-----------------|----------------|---------------|---------------|---------------|-----|----------------|----------------|----------------|
| 10 | 6264-06-07-*-97 | 15.0 (0.59) | 7.0 (0.28) | 7.1 (0.28) | 8.0 (0.31) | M10 | 16.0 (0.63) | 10.8 (0.43) | 17.0 (0.67) |
| 25 | 6264-08-11-*-97 | 23.4 (0.92) | 7.1 (0.28) | 7.1 (0.28) | 8.0 (0.31) | M10 | 18.0 (0.71) | 10.8 (0.43) | 17.0 (0.67) |
| 32 | 6264-10-15-*-97 | 32.0 (1.26) | 7.1 (0.28) | 7.1 (0.28) | 8.0 (0.31) | M10 | 20.0 (0.79) | 10.8 (0.43) | 17.0 (0.67) |

| NG | ISO-code | Bolt Kit |  |  | Seal Nitrile | Kit Fluorocarbon | Surface Finish |
|----|-----------------|----------|---|---|-----------------|---------------------|---|
| 10 | 6264-06-07-*-97 | BK505 | 4xM10 x 35-DIN 912 12.9 | 63 Nm (46.5 lb.-ft.) ±15% | S26-58507-0 | S26-58507-5 |  |
| 25 | 6264-08-11-*-97 | BK485 | 4xM10 x 45-DIN 912 12.9 | 63 Nm (46.5 lb.-ft.) ±15% | S26-58475-0 | S26-58475-5 | |
| 32 | 6264-10-15-*-97 | BK506 | 6xM10 x 45-DIN 912 12.9 | 63 Nm (46.5 lb.-ft.) ±15% | S26-58508-0 | S26-58508-5 | |

| NG | ISO-code | Subplate | Size |
|----|-----------------|--------------|--|
| 10 | 6264-06-07-*-97 | SPP3M6B910 | A, B = 3/4" BSPP x, y = 1/4" BSPP |
| 25 | 6264-08-11-*-97 | SPP6M8B910 | A, B = 1" BSPP x, y = 1/4" BSPP |
| 32 | 6264-10-15-*-97 | SPP10M12B910 | A, B = 1 1/2" BSPP x, y = 1/4" BSPP |

D





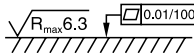
Inch equivalents for millimeter dimensions are shown in (**)

| NG | ISO-code | x1 | x2 | x3 | x4 | x5 | x6 | x7 | y1 | y2 | y3 | y4 | y5 | y6 |
|----|-----------------|----------------|----------------|----------------|--------|----------------|--------|----------------|----------------|--------|----------------|--------|--------|--------|
| 10 | 6264-06-09-*-97 | 53.8 (2.12) | 47.5 (1.87) | 0.0 (0.00) | — — | 22.1 (0.87) | — — | 22.1 (0.87) | 53.8 (2.12) | — — | 26.9 (1.06) | — — | — — | — — |
| 25 | 6264-08-13-*-97 | 66.7 (2.63) | 55.6 (2.19) | 23.8 (0.94) | — — | 11.1 (0.44) | — — | 33.4 (1.31) | 70.0 (2.76) | — — | 35.0 (1.38) | — — | — — | — — |
| 32 | 6264-10-17-*-97 | 88.9 (3.50) | 76.2 (3.00) | 31.8 (1.25) | — — | 12.7 (0.50) | — — | 44.5 (1.75) | 82.6 (3.25) | — — | 41.3 (1.63) | — — | — — | — — |

Tolerance at X and Y pin holes and screw holes ±0.1, at port holes ±0.2.

| NG | ISO-code | B1 | B2 | H1 | H2 | H3 | H4 | H5 | H6 | L1 | L2 | L3 | L4 | L5 | L6 |
|----|-----------------|-----------------|----------------|-----------------|----------------|----------------|--------|----------------|----------------|----------------|-----------------|-----------------|--------|-----------------|----------------|
| 10 | 6264-06-09-*-97 | 80.0 (3.15) | 26.9 (1.06) | 114.0 (4.49) | 27.0 (1.06) | 88.0 (3.46) | — — | 25.0 (0.98) | 25.0 (0.98) | 52.5 (2.07) | 118.5 (4.67) | 141.0 (5.55) | — — | 180.0 (7.09) | 29.5 (1.16) |
| 25 | 6264-08-13-*-97 | 100.0 (3.94) | 35.0 (1.38) | 117.5 (4.63) | 45.5 (1.79) | 91.5 (3.60) | — — | 25.0 (0.98) | 12.0 (0.47) | 37.9 (1.49) | 124.5 (4.90) | 141.0 (5.55) | — — | 180.0 (7.09) | 36.5 (1.44) |
| 32 | 6264-10-17-*-97 | 120.0 (4.72) | 41.3 (1.63) | 123.0 (4.83) | 52.0 (2.05) | 97.0 (3.82) | — — | 25.0 (0.98) | 13.5 (0.53) | 45.0 (1.77) | 153.0 (6.02) | 141.0 (5.55) | — — | 180.0 (7.09) | 36.5 (1.83) |

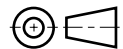
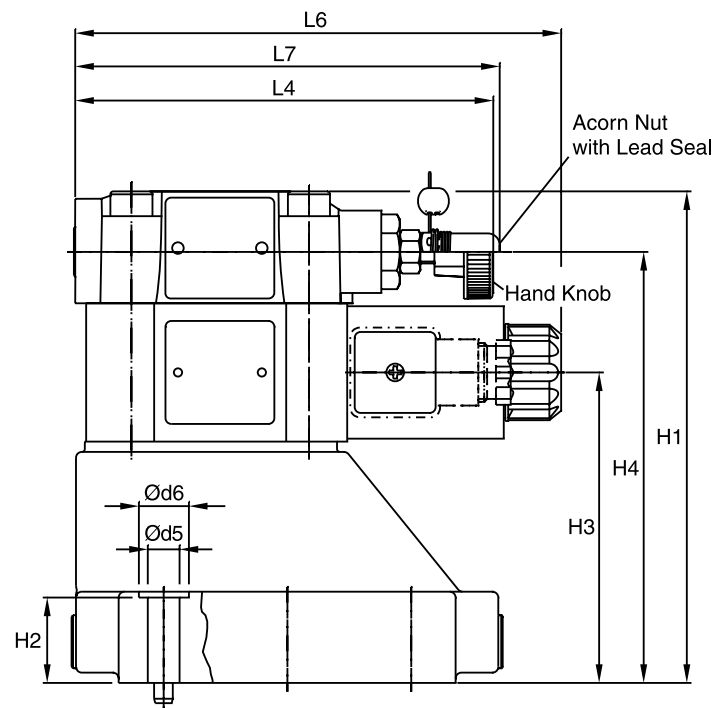
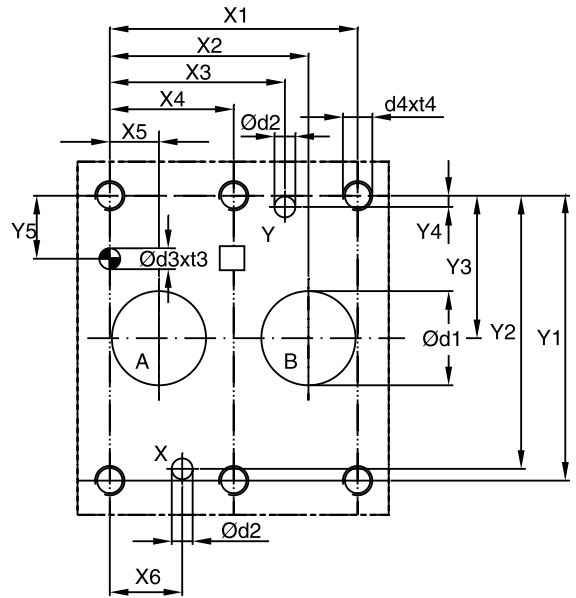
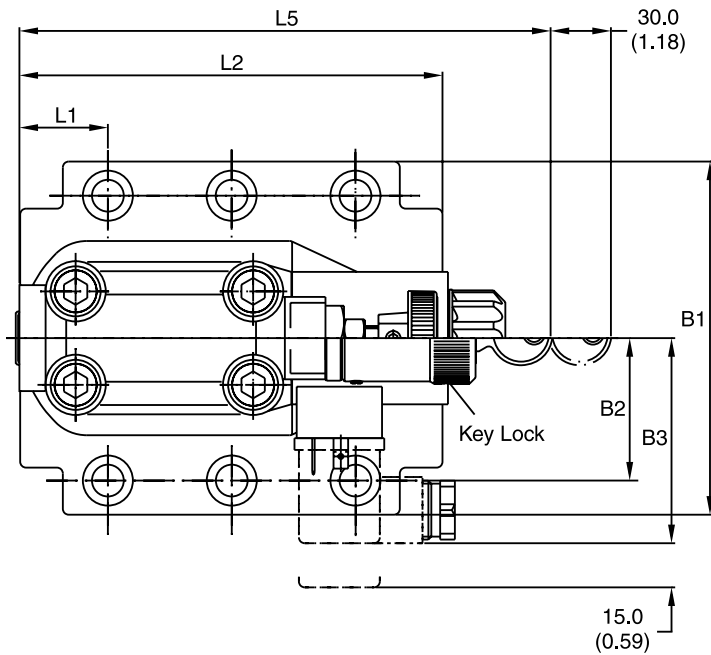
| NG | ISO-code | d1max | d2max | d3 | t3 | d4 | t4 | d5 | d6 |
|----|-----------------|----------------|---------------|---------------|----------------|-----|----------------|----------------|----------------|
| 10 | 6264-06-09-*-97 | 14.7 (0.58) | 4.8 (0.19) | 7.5 (0.30) | 10.0 (0.39) | M12 | 20.0 (0.79) | 13.5 (0.53) | 20.0 (0.79) |
| 25 | 6264-08-13-*-97 | 23.4 (0.92) | 6.3 (0.25) | 7.5 (0.30) | 10.0 (0.39) | M16 | 27.0 (1.06) | 17.5 (0.69) | 25.0 (0.98) |
| 32 | 6264-10-17-*-97 | 32.0 (1.26) | 6.3 (0.25) | 7.5 (0.30) | 10.0 (0.39) | M18 | 28.0 (1.10) | 20.0 (0.79) | 30.0 (1.18) |

| NG | ISO-code | Bolt Kit |  |  | Seal Kit | Surface Finish |
|----|-----------------|----------|---|---|----------------------------|---|
| | | | | | Nitrile Fluorocarbon | |
| 10 | 6264-06-09-*-97 | BK494 | 4xM12 x 45-DIN 912 12.9 | 108 Nm (79.6 lb.-ft.) ±15% | S26-96396-0 S26-96396-5 |  |
| 25 | 6264-08-13-*-97 | BK366 | 4xM16 x 70-DIN 912 12.9 | 264 Nm (194.7 lb.-ft.) ±15% | S26-96589-0 S26-96589-5 | |
| 32 | 6264-10-17-*-97 | BK507 | 4xM18 x 75-DIN 912 12.9 | 398 Nm (293.5 lb.-ft.) ±15% | S26-96392-0 S26-96392-5 | |

| NG | ISO-code | Subplate | Size |
|----|-----------------|--------------|--|
| 10 | 6264-06-09-*-97 | SPP3R6B910 | P, T = 3/4" BSPP x = 1/4" BSPP |
| 25 | 6264-08-13-*-97 | SPP6R8B910 | P, T = 1 1/4" BSPP x = 1/4" BSPP |
| 32 | 6264-10-17-*-97 | SPP10R12B910 | P, T = 1 1/2" BSPP x, y = 1/4" BSPP |



D




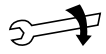
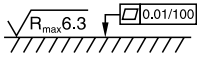
Inch equivalents for millimeter dimensions are shown in (**)

| NG | ISO-code | x1 | x2 | x3 | x4 | x5 | x6 | x7 | y1 | y2 | y3 | y4 | y5 | y6 |
|----|-----------------|----------------|----------------|----------------|----------------|----------------|----------------|---------------|----------------|----------------|----------------|---------------|----------------|--------|
| 10 | 6264-06-07-*-97 | 42.9 (1.69) | 35.8 (1.41) | 21.5 (0.85) | — — | 7.2 (0.28) | 21.5 (0.85) | 0.0 (0.00) | 66.7 (2.63) | 58.8 (2.31) | 33.4 (1.31) | 7.9 (0.31) | 14.3 (0.56) | — — |
| 25 | 6264-08-11-*-97 | 60.3 (2.37) | 49.2 (1.94) | 39.7 (1.56) | — — | 11.1 (0.44) | 20.6 (0.81) | 0.0 (0.00) | 79.4 (3.13) | 73.0 (2.87) | 39.7 (1.56) | 6.4 (0.25) | 15.9 (0.63) | — — |
| 32 | 6264-10-15-*-97 | 84.2 (3.31) | 67.5 (2.66) | 59.5 (2.34) | 42.1 (1.66) | 16.7 (0.66) | 24.6 (0.97) | 0.0 (0.00) | 96.8 (3.81) | 92.8 (3.65) | 48.4 (1.91) | 3.8 (0.15) | 21.4 (0.84) | — — |

Tolerance at X and Y pin holes and screw holes ±0.1, at port holes ±0.2.

| NG | ISO-code | B1 | B2 | B3 | H1 | H2 | H3 | H4 | L1 | L2 | L3 | L4 | L5 | L6 | L7 |
|----|-----------------|-----------------|----------------|----------------|-----------------|----------------|-----------------|-----------------|----------------|-----------------|--------|-----------------|-----------------|-----------------|-----------------|
| 10 | 6264-06-07-*-97 | 87.3 (3.44) | 33.4 (1.31) | 70.0 (2.76) | 130.0 (5.12) | 21.0 (0.83) | 68.5 (2.70) | 109.5 (4.31) | 29.0 (1.14) | 94.8 (3.73) | — — | 143.0 (5.63) | 181.0 (7.13) | 165.6 (6.52) | 144.8 (5.70) |
| 25 | 6264-08-11-*-97 | 105.0 (4.13) | 39.7 (1.59) | 70.0 (2.76) | 156.5 (6.16) | 29.0 (1.14) | 95.0 (3.74) | 136.0 (5.35) | 34.7 (1.37) | 126.8 (4.99) | — — | 143.0 (5.63) | 181.0 (7.13) | 165.6 (6.52) | 144.8 (5.70) |
| 32 | 6264-10-15-*-97 | 120.0 (4.72) | 48.4 (1.91) | 70.0 (2.76) | 167.0 (6.57) | 29.0 (1.14) | 105.5 (4.15) | 146.5 (5.77) | 30.6 (1.20) | 144.3 (5.68) | — — | 143.0 (5.63) | 181.0 (7.13) | 165.6 (6.52) | 144.8 (5.70) |

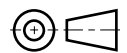
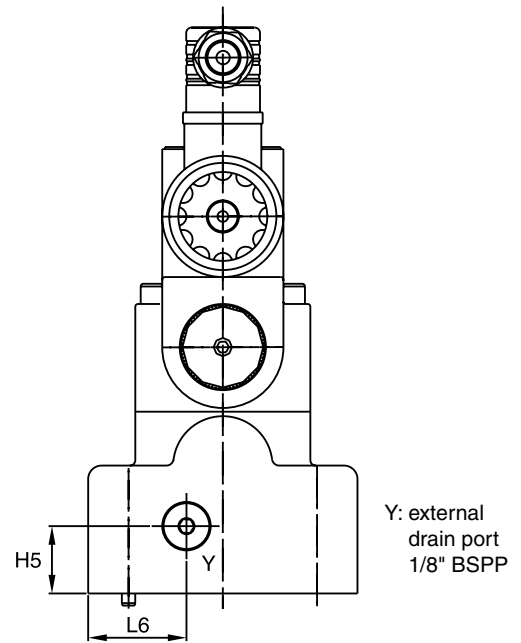
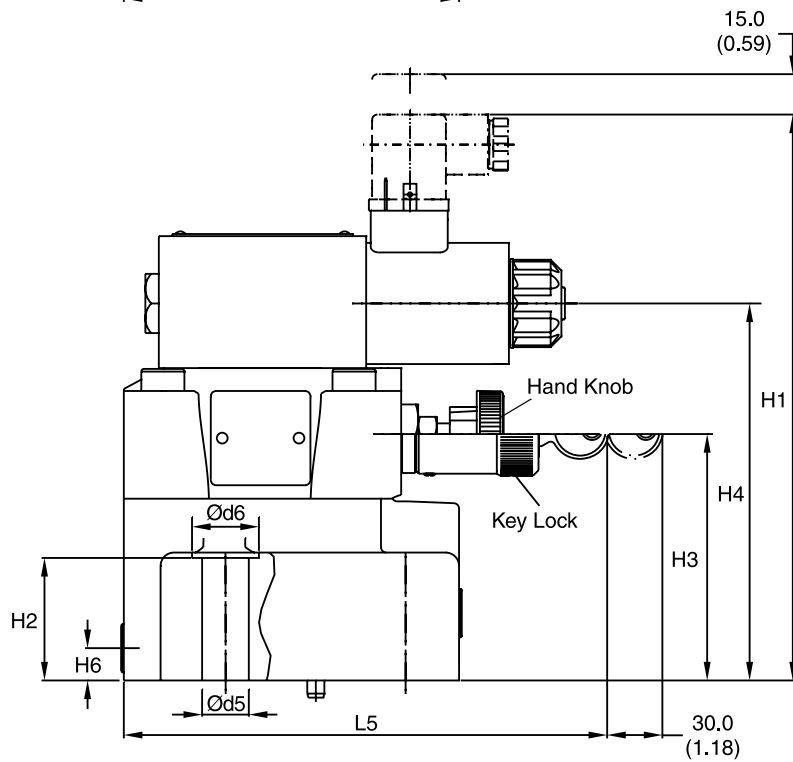
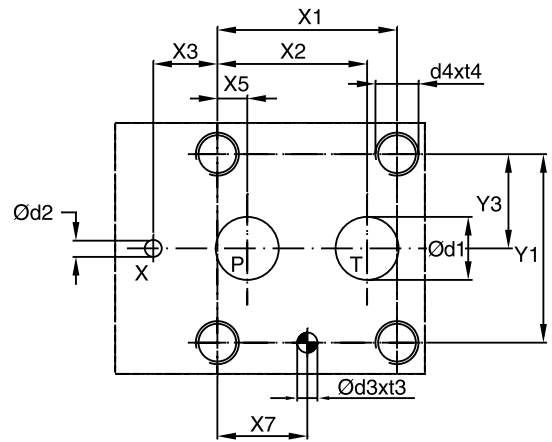
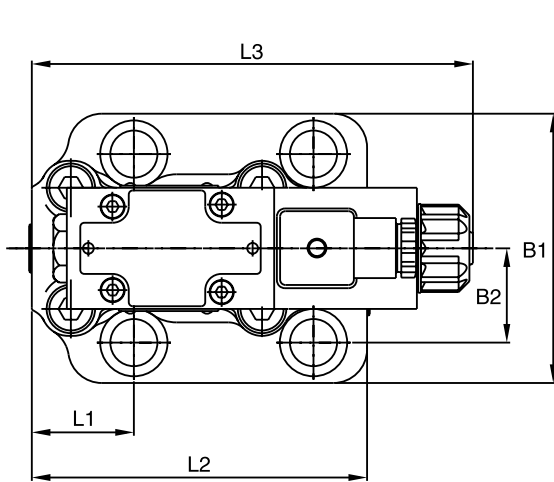
| NG | ISO-code | d1max | d2max | d3 | t3 | d4 | t4 | d5 | d6 |
|----|-----------------|----------------|---------------|---------------|---------------|-----|----------------|----------------|----------------|
| 10 | 6264-06-07-*-97 | 15.0 (0.59) | 7.0 (0.28) | 7.1 (0.28) | 8.0 (0.31) | M10 | 16.0 (0.63) | 10.8 (0.43) | 17.0 (0.67) |
| 25 | 6264-08-11-*-97 | 23.4 (0.92) | 7.1 (0.28) | 7.1 (0.28) | 8.0 (0.31) | M10 | 18.0 (0.71) | 10.8 (0.43) | 17.0 (0.67) |
| 32 | 6264-10-15-*-97 | 32.0 (1.26) | 7.1 (0.28) | 7.1 (0.28) | 8.0 (0.31) | M10 | 20.0 (0.79) | 10.8 (0.43) | 17.0 (0.67) |

| NG | ISO-code | Bolt Kit |  |  | Seal Kit | | Surface Finish |
|-------|-----------------|----------|---|---|-------------|--------------|---|
| | | | | | Nitrile | Fluorocarbon | |
| 10 | 6264-06-07-*-97 | BK505 | 4xM10 x 35-DIN 912 12.9 | 63 Nm (46.5 lb.-ft.) ±15% | S26-58507-0 | S26-58507-5 |  |
| 25 | 6264-08-11-*-97 | BK485 | 4xM10 x 45-DIN 912 12.9 | 63 Nm (46.5 lb.-ft.) ±15% | S26-58475-0 | S26-58475-5 | |
| 32 | 6264-10-15-*-97 | BK506 | 6xM10 x 45-DIN 912 12.9 | 63 Nm (46.5 lb.-ft.) ±15% | S26-58508-0 | S26-58508-5 | |
| VV01* | | | | | S56-40609-0 | S56-40609-5 | |

*Please combine seal kit of one size with seal kit of VV01 solenoid for complete seal kit.

| NG | ISO-code | Subplate | Size |
|----|-----------------|--------------|--|
| 10 | 6264-06-07-*-97 | SPP3M6B910 | A, B = 3/4" BSPP x, y = 1/4" BSPP |
| 25 | 6264-08-11-*-97 | SPP6M8B910 | A, B = 1" BSPP x, y = 1/4" BSPP |
| 32 | 6264-10-15-*-97 | SPP10M12B910 | A, B = 1 1/2" BSPP x, y = 1/4" BSPP |

D





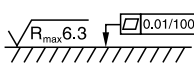
Inch equivalents for millimeter dimensions are shown in (**)

| NG | ISO-code | x1 | x2 | x3 | x4 | x5 | x6 | x7 | y1 | y2 | y3 | y4 | y5 | y6 |
|----|-----------------|----------------|----------------|----------------|--------|----------------|--------|----------------|----------------|--------|----------------|--------|--------|--------|
| 10 | 6264-06-09-*-97 | 53.8 (2.12) | 47.5 (1.87) | 0.0 (0.00) | — — | 22.1 (0.87) | — — | 22.1 (0.87) | 53.8 (2.12) | — — | 26.9 (1.06) | — — | — — | — — |
| 25 | 6264-08-13-*-97 | 66.7 (2.63) | 55.6 (2.19) | 23.8 (0.91) | — — | 11.1 (0.44) | — — | 33.4 (1.31) | 70.0 (2.76) | — — | 35.0 (1.38) | — — | — — | — — |
| 32 | 6264-10-17-*-97 | 88.9 (3.50) | 76.2 (3.00) | 31.8 (1.25) | — — | 12.7 (0.50) | — — | 44.5 (1.75) | 82.6 (3.25) | — — | 41.3 (1.63) | — — | — — | — — |

Tolerance at X and Y pin holes and screw holes ±0.1, at port holes ±0.2.

| NG | ISO-code | B1 | B2 | H1 | H2 | H3 | H4 | H5 | H6 | L1 | L2 | L3 | L4 | L5 | L6 |
|----|-----------------|-----------------|----------------|-----------------|----------------|----------------|-----------------|----------------|----------------|----------------|-----------------|-----------------|--------|-----------------|----------------|
| 10 | 6264-06-09-*-97 | 80.0 (3.15) | 26.9 (1.06) | 206.0 (8.11) | 27.0 (1.06) | 88.0 (3.46) | 136.5 (5.37) | 25.0 (0.98) | 12.0 (0.47) | 52.5 (2.07) | 118.5 (4.67) | 163.8 (6.45) | — — | 180.0 (7.09) | 36.5 (1.44) |
| 25 | 6264-08-13-*-97 | 100.0 (3.94) | 35.0 (1.38) | 210.0 (8.27) | 45.5 (1.79) | 91.5 (3.60) | 140.0 (5.51) | 25.0 (0.98) | 12.0 (0.47) | 37.9 (1.49) | 124.5 (4.90) | 163.8 (6.45) | — — | 180.0 (7.09) | 36.5 (1.44) |
| 32 | 6264-10-17-*-97 | 120.0 (4.72) | 41.3 (1.63) | 215.5 (8.48) | 52.0 (2.05) | 97.0 (3.82) | 145.5 (5.73) | 25.0 (0.98) | 12.0 (0.47) | 45.0 (1.77) | 153 (6.02) | 163.8 (6.45) | — — | 180.0 (7.09) | 36.5 (1.44) |

| NG | ISO-code | d1max | d2max | d3 | t3 | d4 | t4 | d5 | d6 |
|----|-----------------|----------------|---------------|---------------|----------------|-----|----------------|----------------|----------------|
| 10 | 6264-06-09-*-97 | 14.7 (0.58) | 4.8 (0.19) | 7.5 (0.30) | 10.0 (0.39) | M12 | 20.0 (0.79) | 13.5 (0.53) | 20.0 (0.79) |
| 25 | 6264-08-13-*-97 | 23.4 (0.92) | 6.3 (0.25) | 7.5 (0.30) | 10.0 (0.39) | M16 | 27.0 (1.06) | 17.5 (0.69) | 25.0 (0.98) |
| 32 | 6264-10-17-*-97 | 32.0 (1.26) | 6.3 (0.25) | 7.5 (0.30) | 10.0 (0.39) | M18 | 28.0 (1.10) | 20.0 (0.79) | 30.0 (1.18) |

| NG | ISO-code | Bolt Kit |  |  | Seal Nitrile | Kit Fluorocarbon | Surface Finish |
|----|-----------------|----------|---|---|-----------------|---------------------|---|
| 10 | 6264-06-09-*-97 | BK494 | 4xM12 x 45-DIN 912 12.9 | 108 Nm (79.6 lb.-ft.) ±15% | S26-96395-0 | S26-96395-5 |  |
| 25 | 6264-08-13-*-97 | BK366 | 4xM16 x 70-DIN 912 12.9 | 264 Nm (194.7 lb.-ft.) ±15% | S26-96589-0 | S26-96589-5 | |
| 32 | 6264-10-17-*-97 | BK507 | 4xM18 x 75-DIN 912 12.9 | 398 Nm (293.5 lb.-ft.) ±15% | S26-96392-0 | S26-96392-5 | |

| NG | ISO-code | Subplate | Size |
|----|-----------------|--------------|--|
| 10 | 6264-06-09-*-97 | SPP3R6B910 | P, T = 3/4" BSPP x = 1/4" BSPP |
| 25 | 6264-08-13-*-97 | SPP6R8B910 | P, T = 1 1/4" BSPP x = 1/4" BSPP |
| 32 | 6264-10-17-*-97 | SPP10R12B910 | P, T = 1 1/2" BSPP x, y = 1/4" BSPP |

