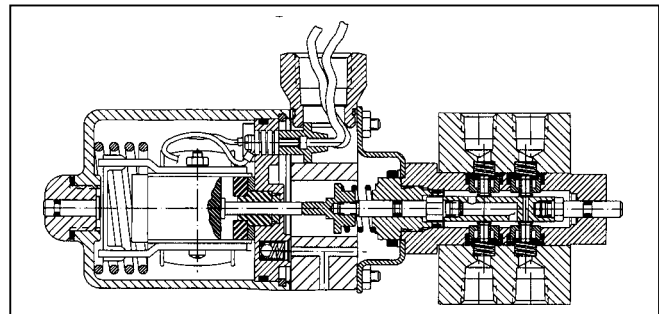
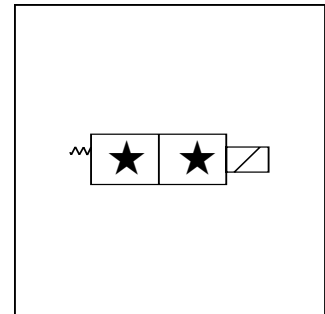
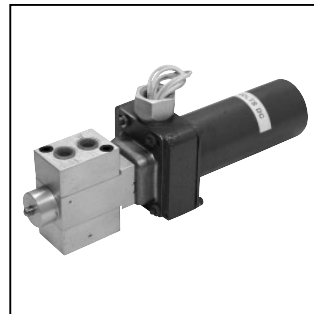


General Description

Series 21400 Exectrol directional control valves are in-line mounted, solenoid operated control valves. A slide and balanced seals are used which provides near zero leakage. The valves have a high tolerance to media contamination as each movement of the slide wipes the sealing surfaces clean which in turn results in long service life.

Features

- Zero leakage (1 drop per min. per pressure port).
- Available two-position operating types are: 2-way normally open; 2-way normally closed; 3-way and 4-way.
- Standard valves are interflow.
- Shear-type positive seal.

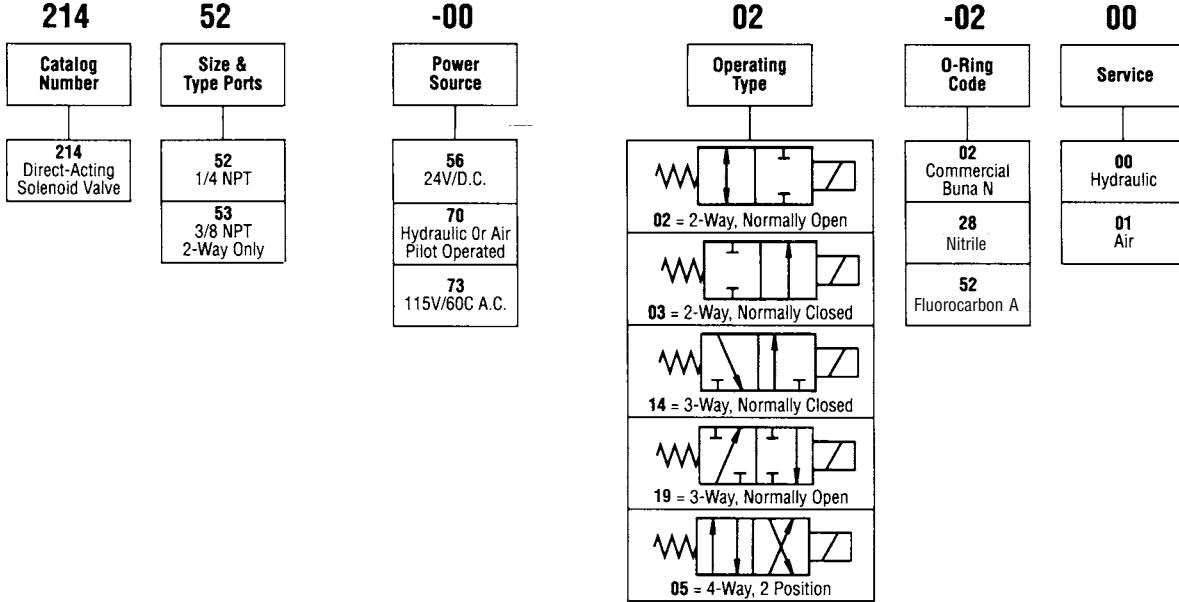


A.C. Electrical Data	
Inrush Current	4.2 Amps Maximum
Holding Current	.85 Amps Maximum
Drop-Out Voltage	Approx. 75% Rated Voltage
Voltage Required to Pull Back After Drop-Out	Approx. 95% Rated Voltage

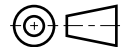
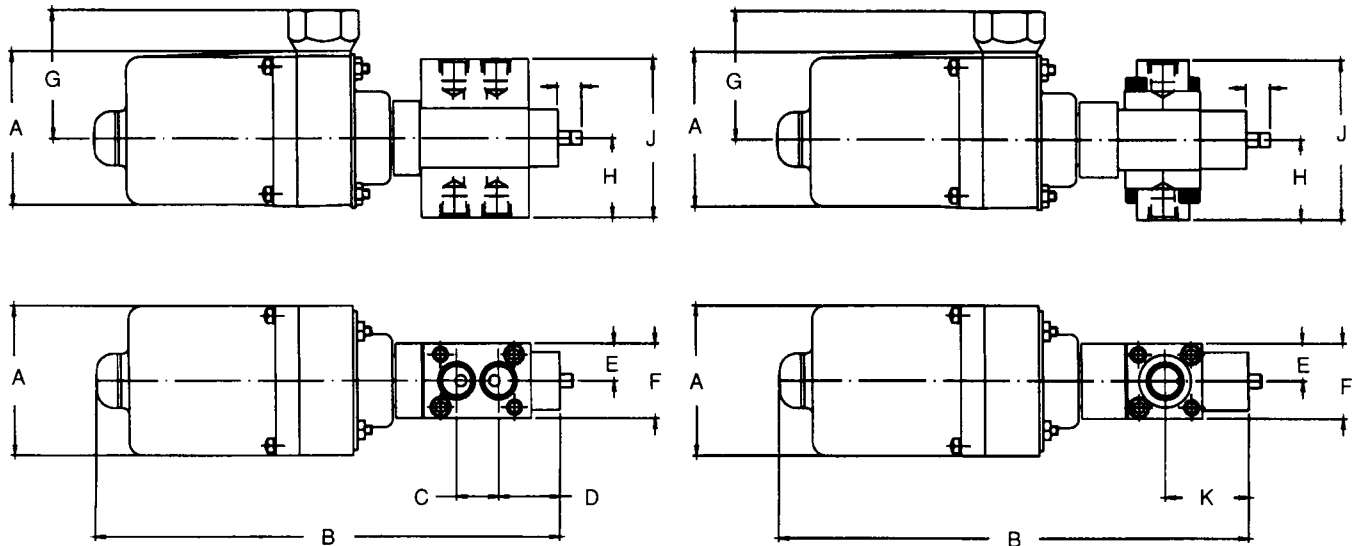
Specifications

Service App.	Lubricated air and hydraulic oil
Maximum Operating Pressure	Working - Air: 69.0 Bar (1000 PSI) Oil: 414.0 Bar (6000 PSI) Proof: Air: 138.0 Bar (2000 PSI) Oil: 621.0 Bar (9000 PSI) Burst: Air: 172.5 Bar (2500 PSI) Oil: 1035.0 Bar (15,000 PSI)
Maximum Outlet Port Back Pressure	103.5 Bar (1500 PSI)
Maximum Flow Capacity	11.4 LPM (3 GPM)
Operating Time	25 milliseconds
Sizes	NPT 1/48", 3/8" (except 4-way)
Ports	NPT Pipe Threads AND10053
CV Factor	0.28
Internal Leakage	Maximum at rated pressure: Oil - 1 DPM maximum per pressurized port Air - 15 bubbles/min
Mounting	In-line
Material	Body: Aluminum alloy, anodized Slide, Seals: Stainless steel, type 440 O-rings: Synthetic rubber Back-up Rings: PTFE
Operating Temperature	-54°C to +71°C (-65°F to +160°F) Higher on special order.
Ambient Temperature	43°C (110°F) maximum recommended

Ordering Information



Dimensions



Valve Operator	All Dimensions are in Inches									
	A	B	C	D	E	F	G	H	J	K
A.C. Solenoid	2 ³ / ₄	8 ⁷ / ₁₆	²⁵ / ₃₂	1 ⁵ / ₃₂	¹¹ / ₁₆	1 ³ / ₈	2 ³ / ₈	1 ²⁹ / ₆₄	2 ²⁹ / ₃₂	1 ¹⁷ / ₃₂
D.C. Solenoid	2 ³ / ₄	10 ¹ / ₈	²⁵ / ₃₂	1 ⁵ / ₃₂	¹¹ / ₁₆	1 ³ / ₈	2 ³ / ₈	1 ²⁹ / ₆₄	2 ²⁹ / ₃₂	1 ¹⁷ / ₃₂
Air - Oil Operator	2 ³ / ₄	6 ¹³ / ₁₆	²⁵ / ₃₂	1 ⁵ / ₃₂	¹¹ / ₁₆	1 ³ / ₈	—	1 ²⁹ / ₆₄	2 ²⁹ / ₃₂	1 ¹⁷ / ₃₂