



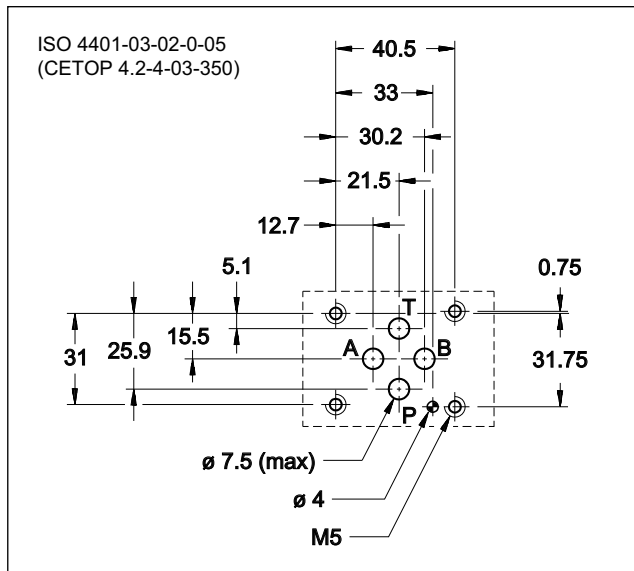
# PRED3J

## DIRECT OPERATED PRESSURE CONTROL VALVE WITH PROPORTIONAL CONTROL AND INTEGRATED ELECTRONICS IN CLOSED LOOP

**SUBPLATE MOUNTING** **SERIES 31**  
**ISO 4401-03**

**p** max **350** bar  
**Q** max **3** l/min

### MOUNTING INTERFACE

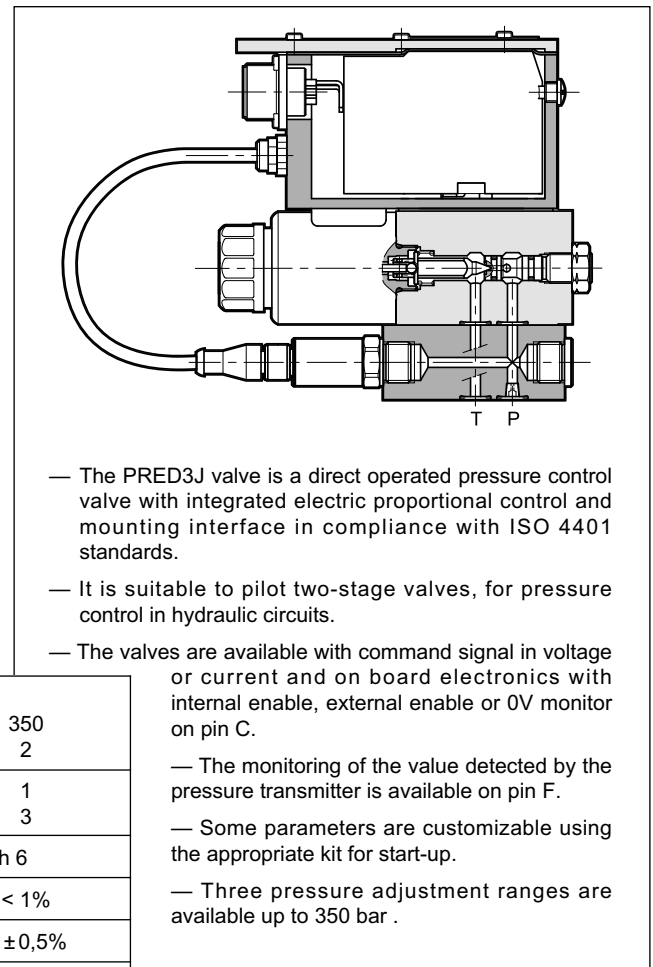


### PERFORMANCES

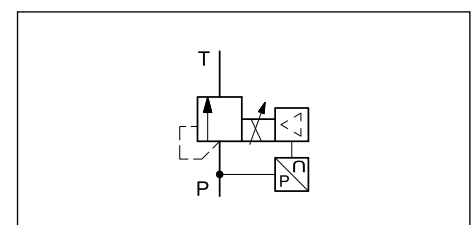
(obtained with mineral oil with viscosity of 36 cSt at 50°C and p = 140 bar)

Maximum operating pressure: - P port - T port	bar	350 2
Nominal flow Maximum flow (see p min= f(Q) diagram)	l/min	1 3
Step response	see paragraph 6	
Hysteresis	% of p nom	< 1%
Repeatability	% of p nom	< ±0,5%
Electrical characteristic	see paragraph 2	
Ambient temperature range	°C	-20 / +60
Fluid temperature range	°C	-20 / +80
Fluid viscosity range	cSt	10 ÷ 400
Fluid contamination degree	According to ISO 4406:1999 class 18/16/13	
Recommended viscosity	cSt	25
Mass	kg	2,5

### OPERATING PRINCIPLE



### HYDRAULIC SYMBOL

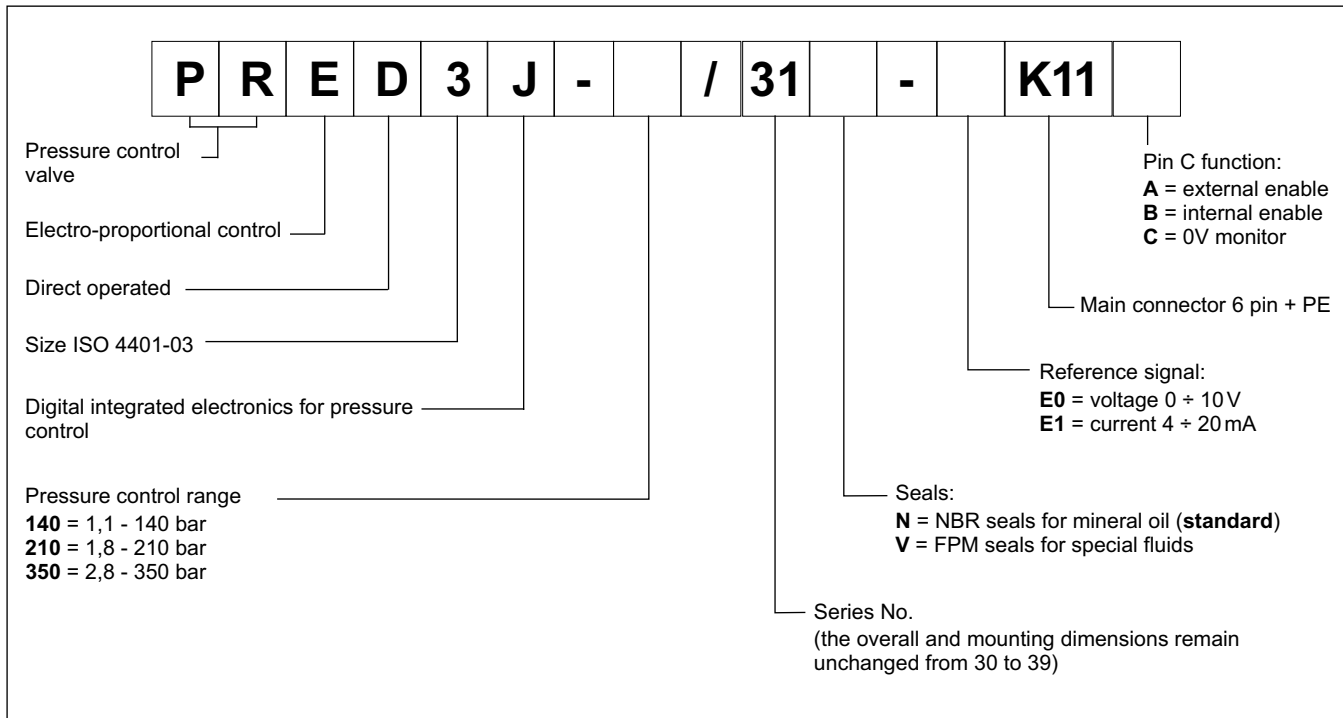




# PRED3J

SERIES 31

## 1 - IDENTIFICATION CODE



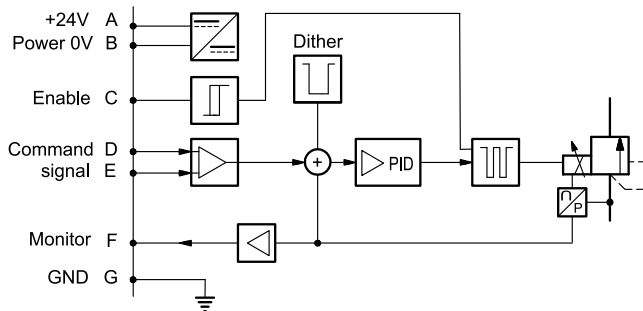
## 2 - ELECTRICAL CHARACTERISTICS

### 2.1 - Electrical on board electronics

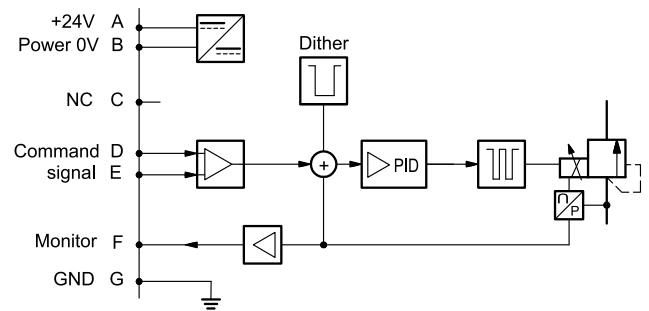
Duty cycle		100% (continuous operation)
Protection class according to EN 60529		IP65 / IP67
Supply voltage	V DC	24 (from 19 to 30 VDC), ripple max 3 Vpp
Power consumption	VA	25
Maximum solenoid current	A	1.88
Fuse protection, external		2A time lag
Command signals: voltage (E0) current (E1)	V DC mA	0 ÷ 10 (Impedance Ri > 11 kOhm) 4 ÷ 20 (Impedance Ri = 58 Ohm)
Monitor signal (pressure at transducer): voltage (E0) current (E1)	V DC mA	0 ÷ 10 (Impedance Ro > 1 kOhm) 4 ÷ 20 (Impedance Ro = 500 Ohm)
Managed breakdowns		Overload and electronics overheating, cable breakdown, supply voltage failures
Communication		LIN-bus Interface (with the optional kit)
Connection		7 - pin MIL-C-5015-G (DIN-EN 175201-804)
Electromagnetic compatibility (EMC) emissions EN 61000-6-4 immunity EN 61000-6-2		According to 2014/30/EU standards

### 2.2 - On-board electronics diagrams

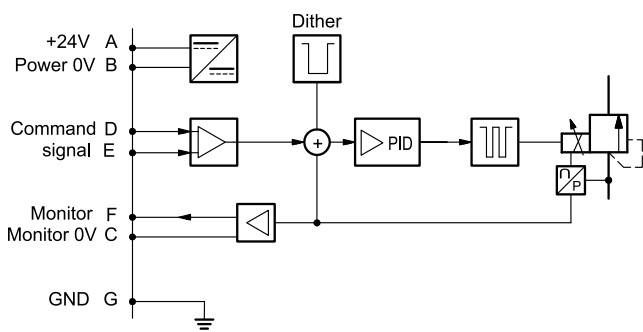
**VERSION A - External Enable**



**VERSION B - Internal Enable**

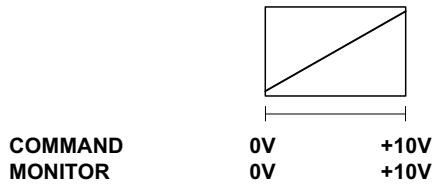


**VERSION C - 0V Monitor**



### 3 - VERSIONS WITH VOLTAGE COMMAND (E0)

The reference signal is between 0 + 10V. The monitor feature of versions B and C becomes available with a delay of 0,5 sec from the power-on of the card.

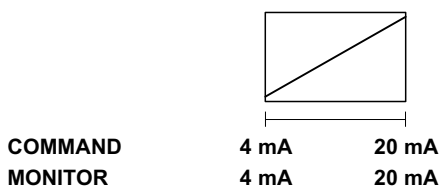


Pin	Values	version A	version B	version C
A	24 V DC	Supply Voltage		
B	0V			
C		Enable 24 V DC	not used -	PIN F reference 0 V
D	0 ÷ 10V	Command (differential input)		
E	0V	PIN D reference		
F	0 ÷ 10V	Monitor (0V reference: pin B)		Monitor
PE	GND	Ground (Earth)		

### 4 - VERSIONS WITH CURRENT COMMAND (E1)

The reference signal is supplied in current 4 ÷ 20 mA. If the current for command is lower, the card shows a breakdown cable error. To reset the error is sufficient to restore the signal.

The monitor feature of versions B and C becomes available with a delay of 0,5 sec from the power-on of the card.



Pin	Values	version A	version B	version C
A	24 V DC	Supply Voltage		
B	0V			
C		Enable 24 V DC	not used -	PIN F reference 0 V
D	4 ÷ 20 mA	Command		
E	0V	PIN D reference		
F	4 ÷ 20 mA	Monitor (0V reference: pin B)		Monitor
PE	GND	Ground (Earth)		

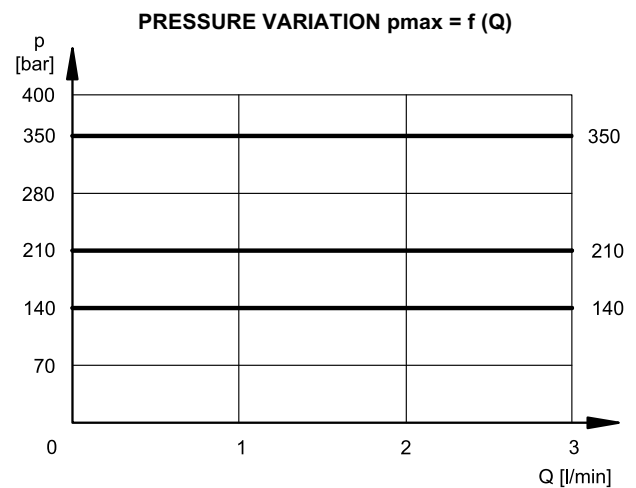
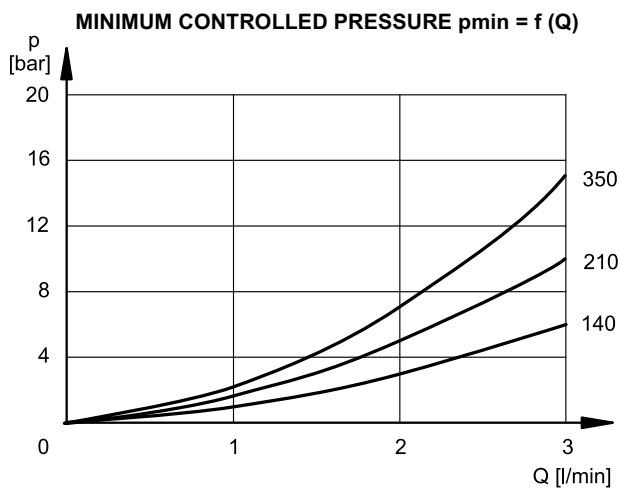
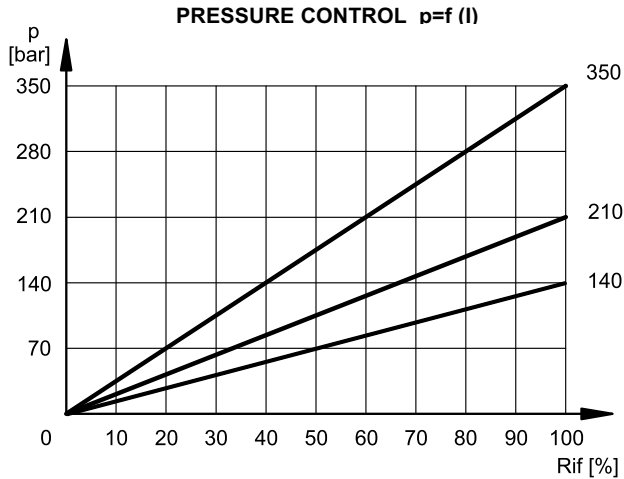


## 5 - CHARACTERISTIC CURVES

(measured with viscosity of 36 cSt at 50°C)

Typical control curves according to the current supplied to the solenoid for pressure control ranges: 140, 210 and 350, measured with input flow rate  $Q = 1$  l/min.

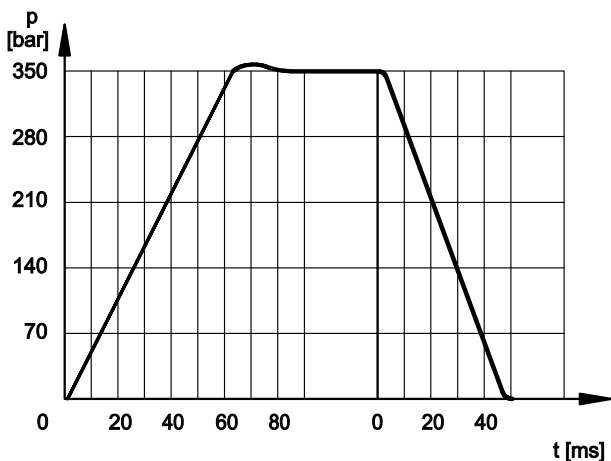
The curves are obtained after linearization in factory of the characteristic curve through the digital amplifier, and they are measured without any backpressure in T.



## 6 - STEP RESPONSE

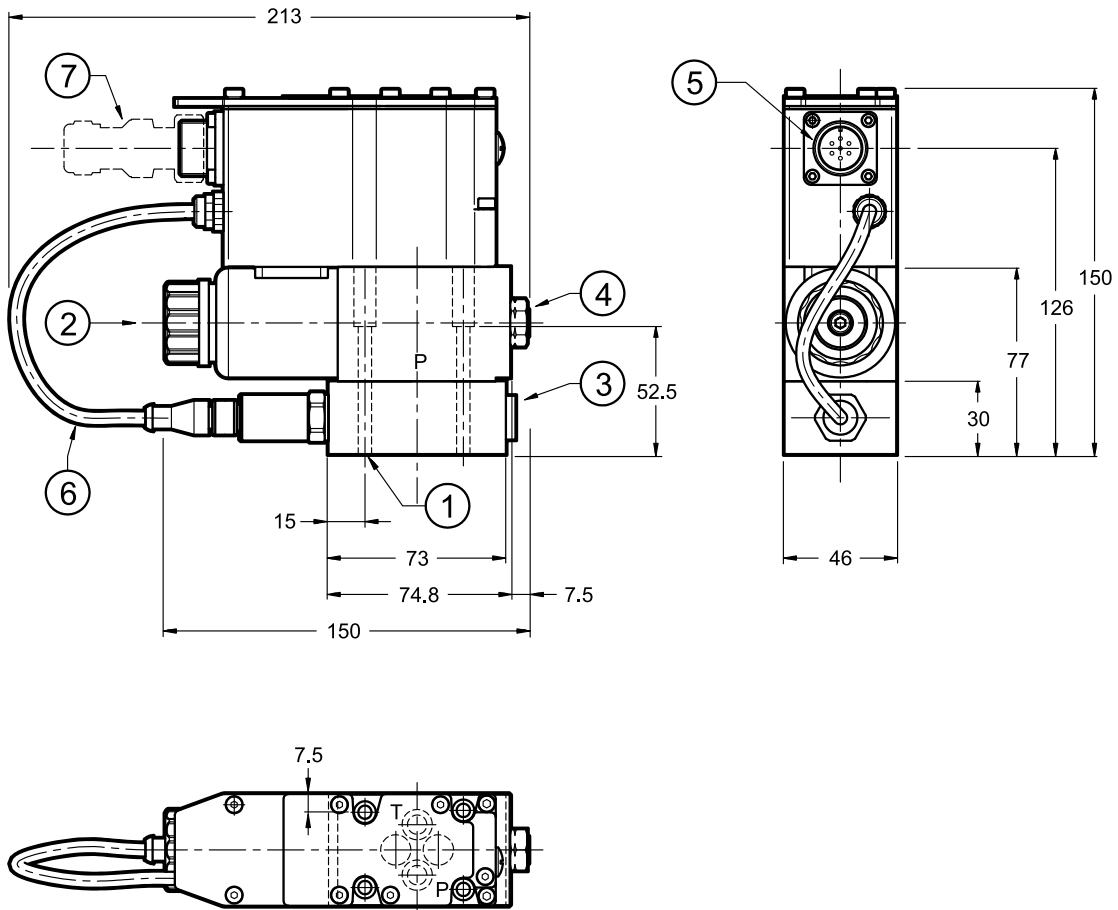
(obtained with mineral oil with viscosity of 36 cSt at 50°C)

Response time obtained by using valves with con PRED3J-350, with an input flow rate of 2 l/min and a pressure oil volume of 0,5 lt. The response time is affected both by the flow rate and the oil volume in the pipework.



## 7 - OVERALL AND MOUNTING DIMENSIONS

dimensions in mm



**NOTE:** at the first start up, or after a long period of no use, it is necessary to vent the air through the breather (2) placed at the end of the solenoid tube.

Fastening bolts: 4 SHCS M5x60 - ISO 4762

Torque: 5 Nm (A8.8)

Threads of mounting holes: M5x10

1	Mounting surface with sealing rings: 4 OR type 108 - 90 shore (8.73 x 1.78)
2	Breather: Allen key 4
3	Pressure gauge port 1/4" BSP
4	Factory sealing setting (we recommend not unscrewing the nut)
5	Main connection
6	Cable with connector for pressure transducer
7	Mating electrical connector <b>to be ordered separately.</b> See at section 10

## 8 - HYDRAULIC FLUIDS

Use mineral oil-based hydraulic fluids HL or HM type, according to ISO 6743-4. For these fluids, use NBR seals. For fluids HFDR type (phosphate esters) use FPM seals (code V). For the use of other kinds of fluid such as HFA, HFB, HFC, please consult our technical department.

Using fluids at temperatures higher than 80 °C causes a faster degradation of the fluid and of the seals characteristics.

The fluid must be preserved in its physical and chemical characteristics.

## 9 - INSTALLATION

We recommend installing these valves with the solenoid downward, either in horizontal or vertical position. If the valve is installed on vertical axis with the solenoid upward, you should consider possible variations of the minimum controlled pressure from those indicated in paragraph 5.

Ensure that there is no air in the hydraulic circuit. In certain applications it might be necessary to vent the air entrapped in the solenoid tube by unfastening the drain screw placed in the solenoid tube.

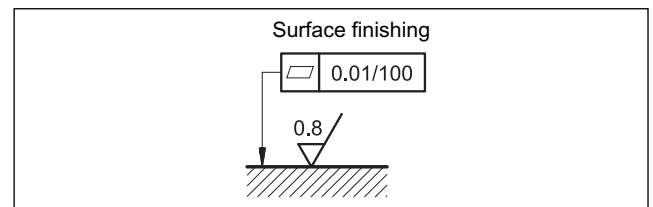
Ensure the solenoid tube is always filled with oil. Make sure the drain screw has been put back correctly at the end of the task.

Connect the valve T port directly to the tank. **Add any backpressure value detected in the T line to the controlled pressure value.**

**Maximum admissible backpressure in the T line, under operational conditions, is 2 bar.**

Valves are fixed by means of screws or tie rods on a flat surface with planarity and roughness equal to or better than those indicated in the relative symbols.

If minimum values are not observed, fluid can easily leaks between the valve and support surface.



## 10 - ACCESSORIES

(to be ordered separately)

### 10.1 Mating connector

These valves have a plug for 7-pin mating connector, that is placed on the box of the integral motion control.

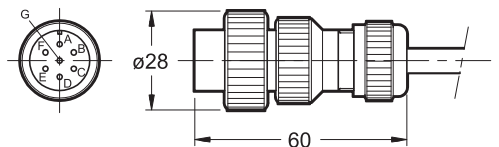


So as to avoid electromagnetic troubles and comply with the electromagnetic compatibility regulation EMC, it is recommended the use of a metal connector.

If a plastic connector is used, make sure that the protection characteristics IP and EMC of the valve are guaranteed.

Duplomatic offers a metal cable connector type MIL-C-5015-G (EN 175201-804).

name: **EX7S/L/10** code **3890000003**



### 10.2 - Connection cables size

Power supply:

- up to 20 m cable length : 1,0 mm<sup>2</sup>
- up to 40 m cable length : 1,5 mm<sup>2</sup>

Signal: 0,50 mm<sup>2</sup>

A suitable cable would have 7 isolated conductors, a separate screen for the signal wires and an overall screen.

### 10.3 - Kit for start-up LINPC-USB

Device for service start-up and diagnostic, see catalogue 89850.

## 11 - SUBPLATES

(see catalogue 51 000)

PMMD-AI3G rear ports
PMMD-AL3G side ports
Ports dimensions: P, T, A, B: 3/8" BSP



# PRED3J

SERIES 31



**DIPLOMATIC OLEODINAMICA S.p.A.**  
20015 PARABIAGO (MI) • Via M. Re Depaolini 24  
Tel. +39 0331.895.111  
Fax +39 0331.895.339  
[www.diplomatic.com](http://www.diplomatic.com) • e-mail: [sales.exp@diplomatic.com](mailto:sales.exp@diplomatic.com)

