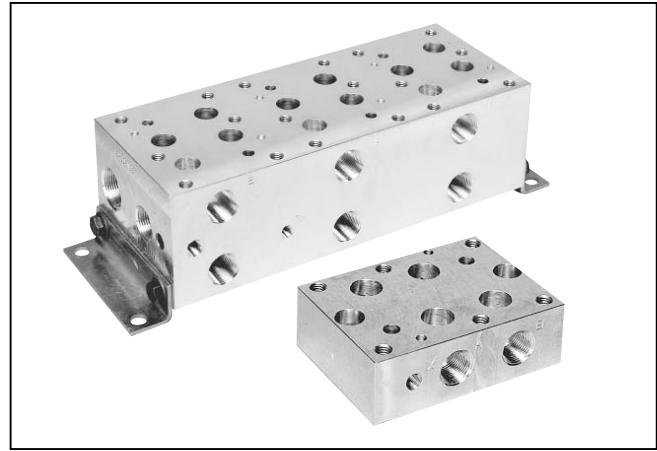


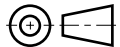
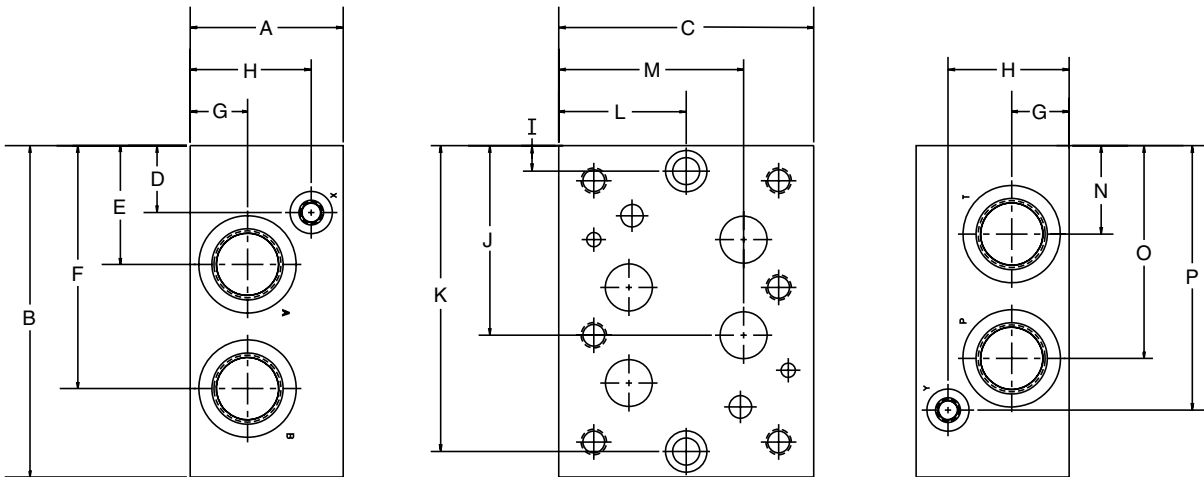
**Features**

- **Aluminum or steel available** — Flexibility for applying to different system pressures.
- **NPT and SAE thread options available** — Flexibility to plumb into existing systems.
- **Multiple port sizes available** — Eliminates need for reducers and expander at subplate connection.



**Side Ported Subplate — NFPA D08**

Inch equivalents for millimeter dimensions are shown in (\*\*)



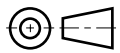
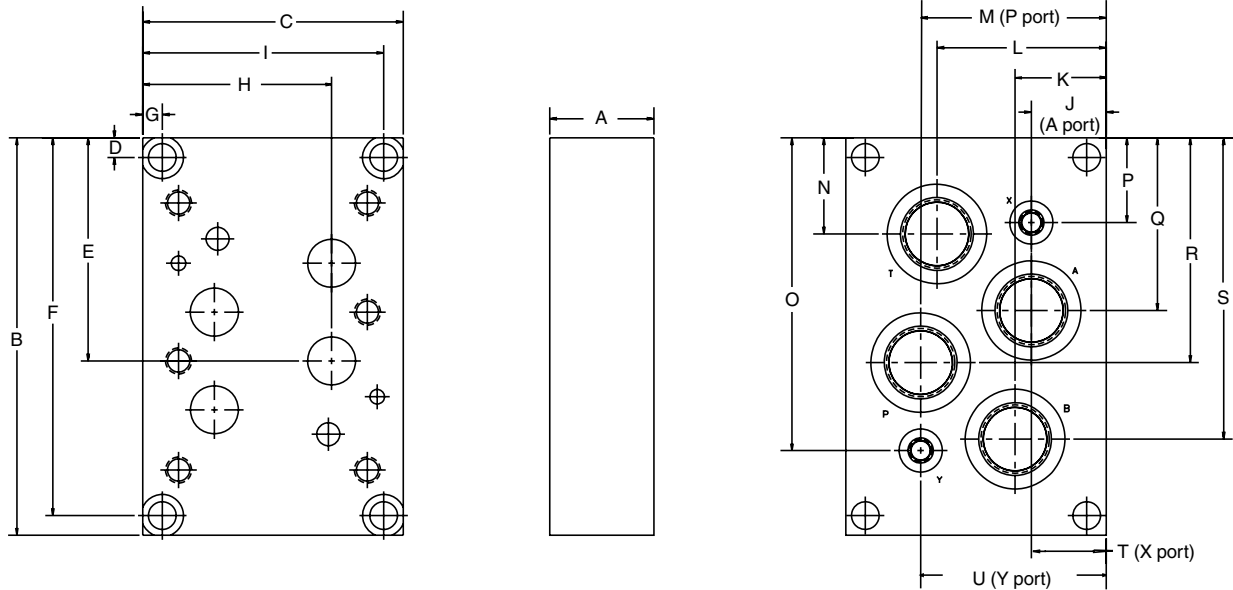
Size	A	B	C	D	E	F	G	H	I	J	K	L	M	N	O	P
SPD68*A*	50.8	155.7	114.3	30.2	64.3	115.1	25.4	25.4	12.7	89.7	142.7	57.2	85.9	40.4	91.2	125.5
SPD66NA*	(2.00)	(6.13)	(4.50)	(1.19)	(2.53)	(4.53)	(1.00)	(1.00)	(0.50)	(3.53)	(5.62)	(2.25)	(3.38)	(1.59)	(3.59)	(4.94)
SPD610*A*	76.2	165.1	127.0	33.3	59.2	121.2	28.7	60.5	12.7	94.5	152.4	63.5	92.2	43.9	105.9	131.8
	(3.00)	(6.50)	(5.00)	(1.31)	(2.33)	(4.77)	(1.13)	(2.38)	(0.50)	(3.72)	(6.00)	(2.50)	(3.63)	(1.73)	(4.17)	(5.19)
SPD610MA*	101.6	165.1	127.0	35.1	59.2	121.2	41.4	79.5	12.7	94.5	152.4	63.5	92.2	43.9	105.9	130.3
	(4.00)	(6.50)	(5.00)	(1.38)	(2.33)	(4.77)	(1.63)	(3.13)	(0.50)	(3.72)	(6.00)	(2.50)	(3.63)	(1.73)	(4.17)	(5.13)

See Mounting Bolt Kits for bolt information.

**Series D6 and D8**

**Bottom Ported Subplate — NFPA D08**

Inch equivalents for millimeter dimensions are shown in (\*\*)

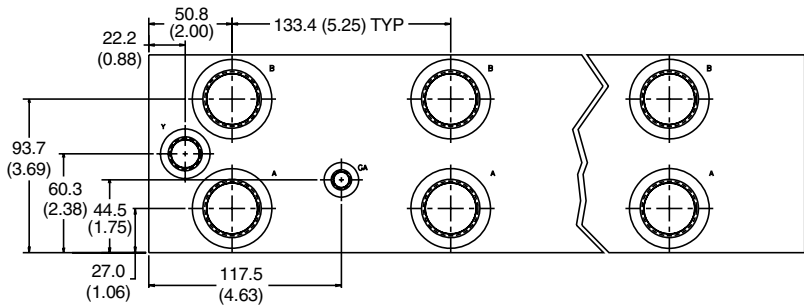
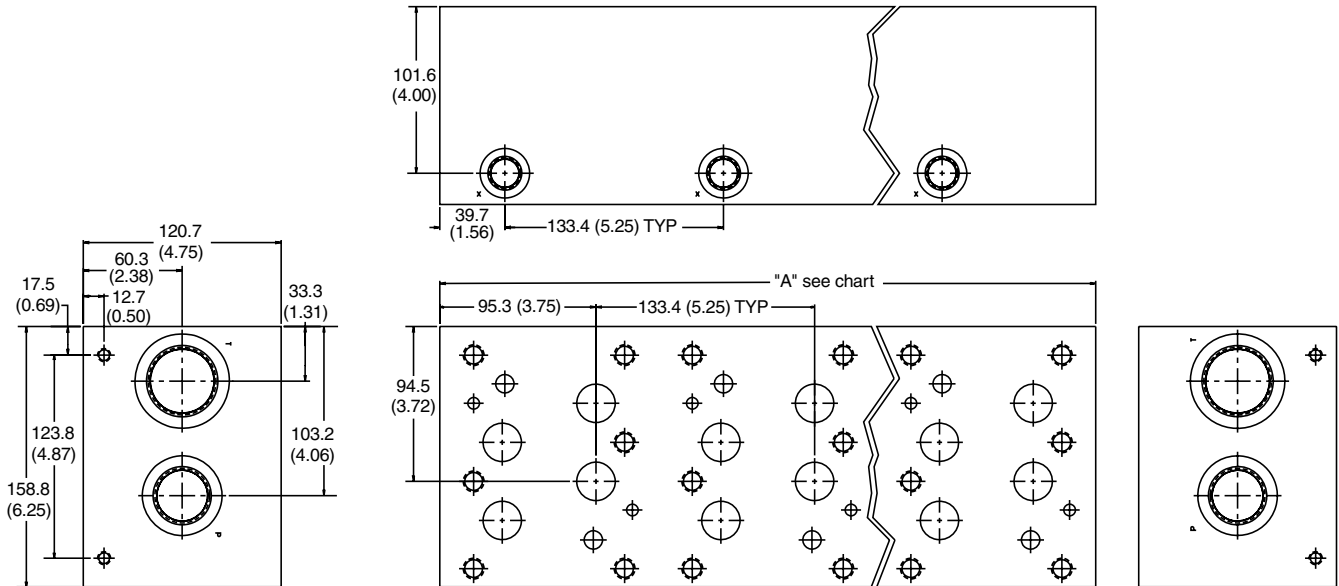


Size	A	B	C	D	E	F	G	H	I	J	K	L	M	N	O	P	Q	R	S	T	U
SPD68**	38.1	155.7	117.6	12.7	89.7	142.7	58.7	87.4	—	30.2	30.2	87.4	87.4	42.2	125.5	30.2	65.8	89.7	113.5	31.8	85.9
SPD66N*	(1.50)	(6.13)	(4.63)	(0.50)	(3.53)	(5.62)	(2.31)	(3.44)	—	(1.19)	(1.19)	(3.44)	(3.44)	(1.66)	(4.94)	(1.19)	(2.59)	(3.53)	(4.47)	(1.25)	(3.38)
SPD610**	50.8	193.8	127.0	9.7	108.7	184.2	9.7	92.2	117.6	36.6	44.5	82.6	90.4	46.7	152.4	41.4	84.1	109.5	146.8	36.6	90.4
	(2.00)	(7.63)	(5.00)	(0.38)	(4.28)	(7.25)	(0.38)	(3.63)	(4.63)	(1.44)	(1.75)	(3.25)	(3.56)	(1.84)	(6.00)	(1.63)	(3.31)	(4.31)	(5.78)	(1.44)	(3.56)

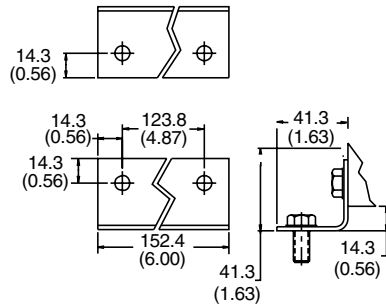
See Mounting Bolt Kits for bolt information.

**Series D6 and D8**  
**Manifold — NFPA D08**

Inch equivalents for millimeter dimensions are shown in (\*\*)



Note: Gage port not available on single station manifold.

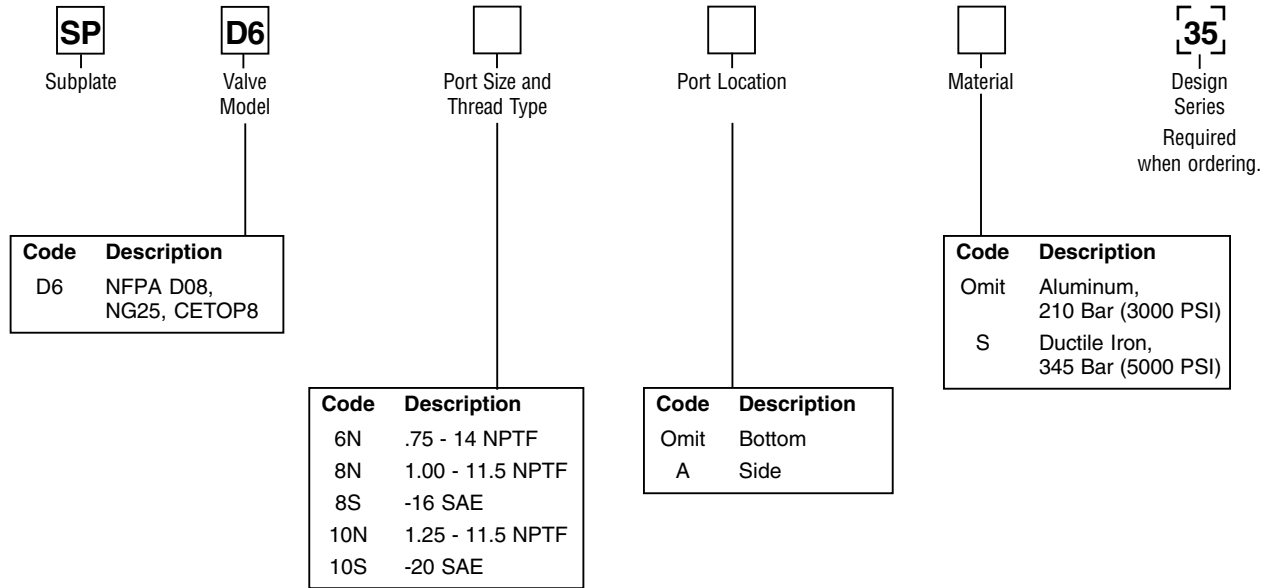


**Mounting Hardware**  
 (See Ordering Information for Mounting Hardware details)

No. of Stations	01	02	03	04	05
"A" Length mm (inch)	133.35 (5.25)	266.7 (10.50)	400.05 (15.75)	533.4 (21.00)	666.75 (26.25)
Weight Alum. kg (lbs.)	5 (12)	11 (24)	16 (35)	22 (49)	28 (61)
Weight Iron kg (lbs.)	20 (45)	41 (90)	62 (136)	82 (181)	103 (226)

See Mounting Bolt Kits for bolt information.

**Series D6 and D8 Subplates**



**Mounting Hardware**  
 supplied with subplate includes:

Subplates	Mounting Hardware	Qty.
SPD66NA*	.50-13 UNC x	2
SPD68NA*	1.75 LG. SHCS	
SPD68SA*		
SPD610NA*	.50-13 UNC x	2
SPD610SA*	3.00 LG. SHCS	
SPD66N*	.50-13 UNC x	2
SPD68N*	1.50 LG. SHCS	
SPD68S*		
SPD610N*	.38-16 UNC x	4
SPD610S*	2.00 LG. SHCS	

Valve mounting threads:  
 0.50-13 UNC x 1.19 DP.  
 Used for SAE and NPTF ports.

**Note:** 35 Design Series subplates conform to NFPA mounting pattern specifications, but may be dimensionally different from previous design series.

**Mounting Bolt Kits**

UNC Bolt Kits for use with D6 and D8 Directional Control Valves & Manapaks/Cartpaks				
	Number of Manapaks/Cartpaks @ 2.75" (70mm) thickness			
	0	1	2	3
D6	BK227 2.50"	BK121 5.25"	BK122 8.00"	BK123 10.75"
D6 plus tapping plate	BK161 3.50"	BK170 6.25"	BK171 9.00"	BK172 11.75"
D8	BK228 3.00"	BK131 5.75"	BK132 8.50"	BK133 11.25"
D8 plus tapping plate	BK173 4.00"	BK174 6.75"	BK175 9.50"	BK114 12.125"

**Note:** All bolts are SAE grade 8, 1/2-13 UNC-3A thread, torque to 133 N.m. (100 ft.-lbs.)

**Series D6 and D8 Manifolds**

**SP**

Manifold

Number of Stations

**D6**

Valve Model

Port Size and Thread Type

Material

**35**

Design Series

Required when ordering.

Code	Description
1	No. of Stations
2	No. of Stations
3	No. of Stations
4	No. of Stations
5	No. of Stations

Code	Description
D6	NFPA D08, NG25, CETOP8

Code	Description
Omit	Aluminum, 210 Bar (3000 PSI)
S	Ductile Iron, 345 Bar (5000 PSI)

Code	Description	Port Size					Gage
		P, A, B	T	Y	X (opt.)		
N*	NPTF	1.00	1.25	.38	.25	.25	
S**	SAE	-16	-20	-8	-4	-6	

Mounting hardware supplied with manifold includes:  
 (2) steel brackets  
 For SAE and NPTF ports:  
 (8) 1/2-13 UNC x 1.00 HHCS  
 (8) .50 SAE N Series washers

\* 0.25-18 NPTF LSPP gage port plug included.  
 \*\* -6 SAE gage port plug included.

Valve mounting threads:  
 0.50-13 UNC x 1.19 DP.  
 Used for SAE and NPTF ports.

**Note:** 35 Design Series manifolds conform to NFPA mounting pattern specifications, but may be dimensionally different from previous design series.

No. Stations	01	02	03	04	05
Wgt., Alum, kg (lbs.)	5.5 (12)	11.0 (24)	16.0 (35)	22.4 (49)	27.9 (61)
Wgt., Iron, kg (lbs.)	20.6 (45)	41.1 (90)	62.2 (136)	82.7 (181)	103.3 (226)

**Mounting Bolt Kits**

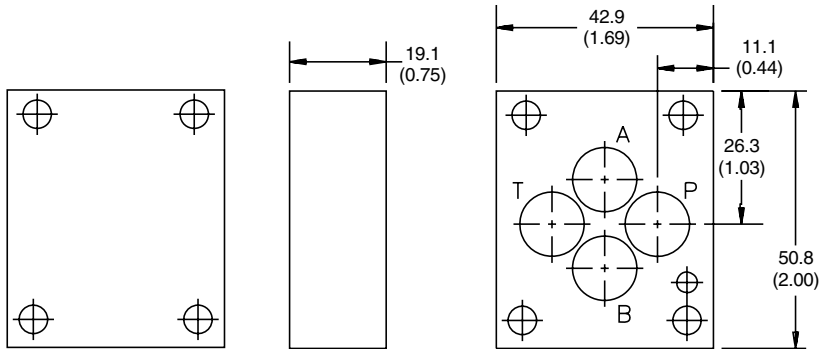
UNC Bolt Kits for use with D6 and D8 Directional Control Valves & Manapaks/Cartrpaks				
	Number of Manapaks/Cartrpaks @ 2.75" (70mm) thickness			
	0	1	2	3
D6	BK227 2.50"	BK121 5.25"	BK122 8"	BK123 10.75"
D6 plus tapping plate	BK161 3.50"	BK170 6.25"	BK171 9.00"	BK172 11.75"
D8	BK228 3.00"	BK131 5.75"	BK132 8.5"	BK133 11.25"
D8 plus tapping plate	BK173 4.00"	BK174 6.75"	BK175 9.50"	BK114 12.125"

**Note:** All bolts are SAE grade 8, 1/2-13 UNC-3A thread, torque to 133 N.m. (100 ft.-lbs.)

**Dimensions**

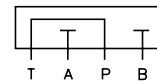
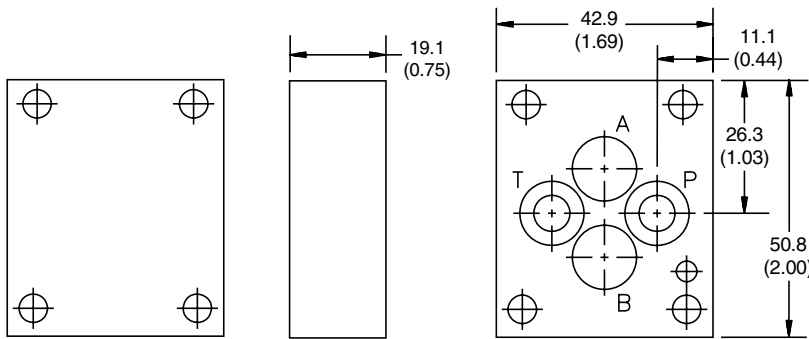
Inch equivalents for millimeter dimensions are shown in (\*\*)

**Cover Plate — NFPA D03**



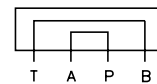
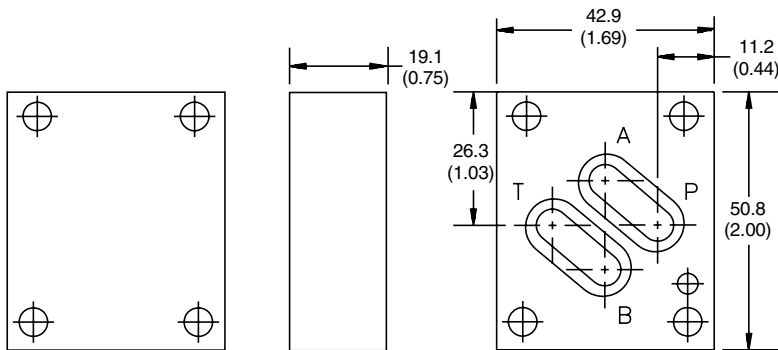
**Note:**  
 Mounting hardware supplied with cover plate.  
 Includes:  
 2-012V-7 O-ring, Qty. 4  
 ∅0.12 x .25 long locating pin, Qty. 1  
 10-24 UNC x 1.00 long SHCS, Qty. 4 (SPD2C1EN) or  
 M5-0.8 x 25 mm long SHCS, Qty. 4 (SPD2C1MN)

**Crossover Plate, P→T ports — NFPA D03**



**Note:**  
 Mounting hardware supplied with crossover plate.  
 Includes:  
 2-012V-7 O-ring, Qty. 4  
 ∅0.12 x .25 long locating pin, Qty. 1  
 10-24 UNC x 1.00 long SHCS, Qty. 4 (SPD2D1EN) or  
 M5-0.8 x 25 mm long SHCS, Qty. 4 (SPD2D1MN)

**Crossover Plate, P→A and B→T ports — NFPA D03**

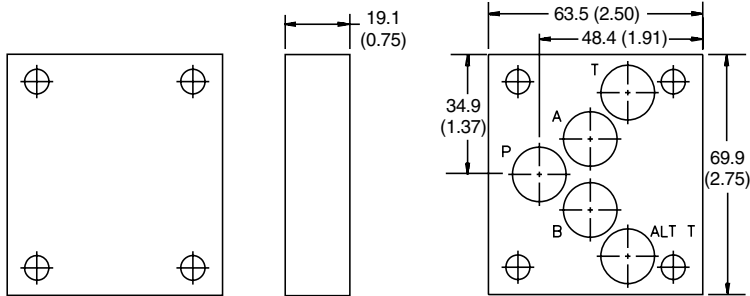
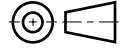


**Note:**  
 Mounting hardware supplied with cover plate.  
 Includes:  
 2-016V-7 O-ring, Qty. 2  
 ∅0.12 x .25 long locating pin, Qty. 1  
 10-24 UNC x 1.00 long SHCS, Qty. 4 (SPD2A1EN) or  
 M5-0.8 x 25 mm long SHCS, Qty. 4 (SPD2A1MN)

**Dimensions**

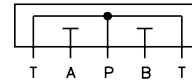
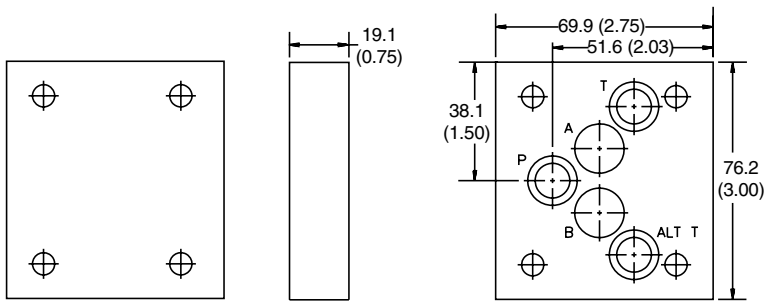
Inch equivalents for millimeter dimensions are shown in (\*\*)

**Cover Plate — NFPA D05**



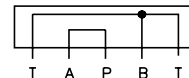
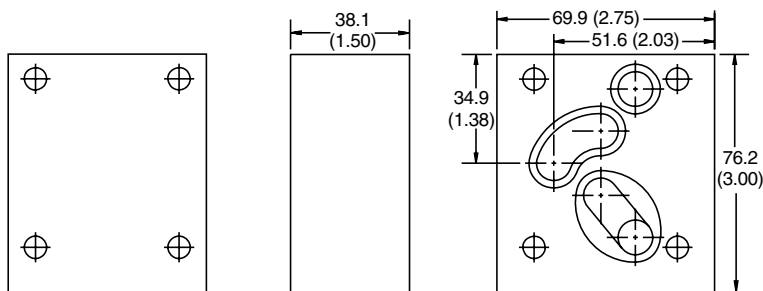
**Note:**  
 Mounting hardware supplied with cover plate.  
 Includes:  
 2-014V-7 O-ring, Qty. 5  
 0.25-20 UNC x 1.25 long SHCS, Qty. 4 (SPD3C1EN) or  
 M6-1.0 x 30 mm long SHCS, Qty. 4 (SPD3C1MN)

**Crossover Plate, P→T ports — NFPA D05**



**Note:**  
 Mounting hardware supplied with crossover plate.  
 Includes:  
 2-014V-7 O-ring, Qty. 5  
 0.25-20 UNC x 1.25 long SHCS, Qty. 4 (SPD3D1EN) or  
 M6-1.0 x 30 mm long SHCS, Qty. 4 (SPD3D1MN)

**Crossover Plate, P→A and B→T ports — NFPA D05**

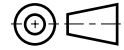
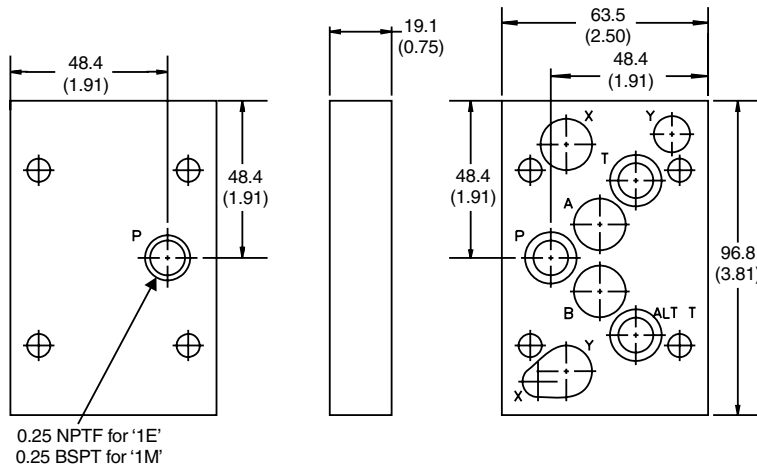


**Note:**  
 Mounting hardware supplied with crossover plate.  
 Includes:  
 2-014V-7 O-ring, Qty. 1  
 2-022V-7 +O-ring, Qty. 2  
 0.25-20 UNC x 2.00 long SHCS, Qty. 4 (SPD3A1EN) or  
 M6-1.0 x 50 mm long SHCS, Qty. 4 (SPD3A1MN)

**Dimensions**

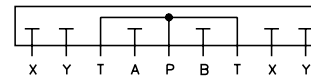
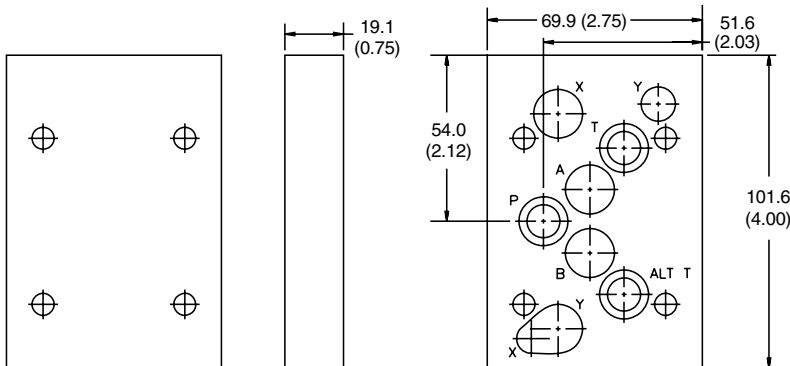
Inch equivalents for millimeter dimensions are shown in (\*\*)

**Cover Plate — NFPA D05H**



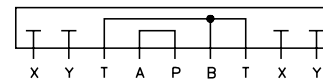
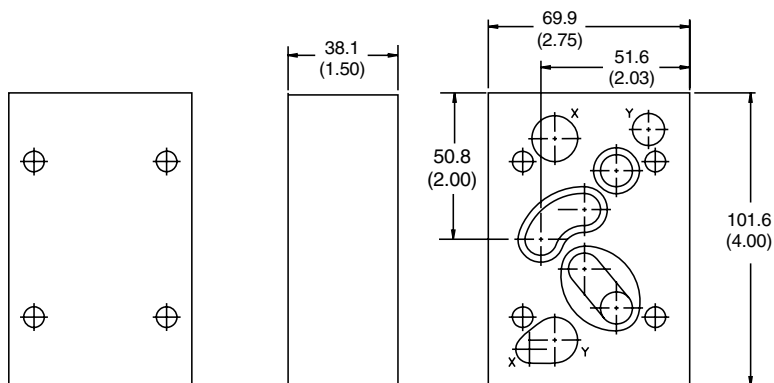
- Note:**  
 Mounting hardware supplied with cover plate.  
 Includes:  
 2-011V-7 O-ring, Qty. 1  
 2-014V-7 O-ring, Qty. 6  
 2-016V-7 O-ring, Qty. 1  
 0.25-18 NPTF LSPP plug, Qty. 1 (SPD31VC1EN only)  
 0.25-20 UNC x 1.25 long SHCS, Qty. 4 (SPD31VC1EN) or  
 M6-1.0 x 30 mm long SHCS, Qty. 4 (SPD31VC1MN)

**Crossover Plate, P→T ports — NFPA D05H**



- Note:**  
 Mounting hardware supplied with crossover plate.  
 Includes:  
 2-011V-7 O-ring, Qty. 1  
 2-014V-7 O-ring, Qty. 6  
 2-016V-7 O-ring, Qty. 1  
 0.25-20 UNC x 1.25 long SHCS, Qty. 4 (SPD31VD1EN) or  
 M6-1.0 x 30 mm long SHCS, Qty. 4 (SPD31VD1MN)

**Crossover Plate, P→A and B→T ports — NFPA D05H**



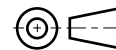
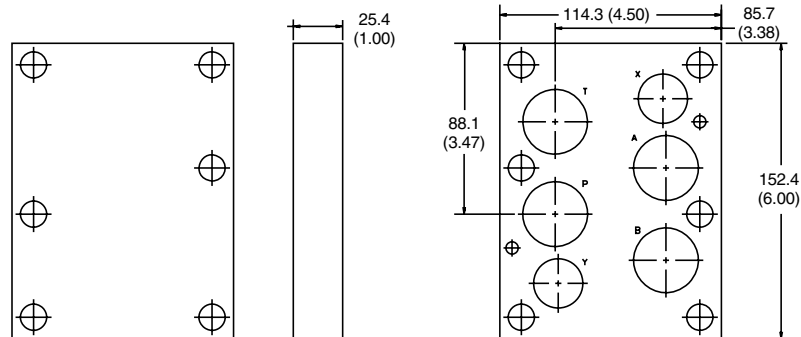
- Note:**  
 Mounting hardware supplied with crossover plate.  
 Includes:  
 2-011V-7 O-ring, Qty. 1  
 2-014V-7 O-ring, Qty. 2  
 2-016V-7 O-ring, Qty. 1  
 2-022V-7 O-ring, Qty. 2  
 0.25-20 UNC x 2.00 long SHCS, Qty. 4 (SPD31VA1EN) or  
 M6-1.0 x 50 mm long SHCS, Qty. 4 (SPD31VA1MN)



**Dimensions**

Inch equivalents for millimeter dimensions are shown in (\*\*)

**Cover Plate — NFPA D08**



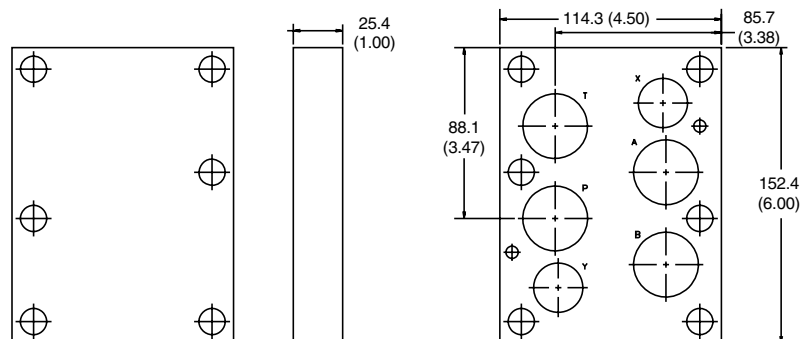
**Note:**

Mounting hardware supplied with cover plate.

Includes:

- 2-210V-7 O-ring, Qty. 2
- 2-215V-7 O-ring, Qty. 4
- 0.50-13 UNC x 1.75 long SHCS, Qty. 6 (SPD6C1EN) or M12-1.75 x 45 mm long SHCS, Qty. 6 (SPD6C1MN)
- 0.25 x 0.50 long locating pins, Qty. 2

**Crossover Plate, P→T ports — NFPA D08**



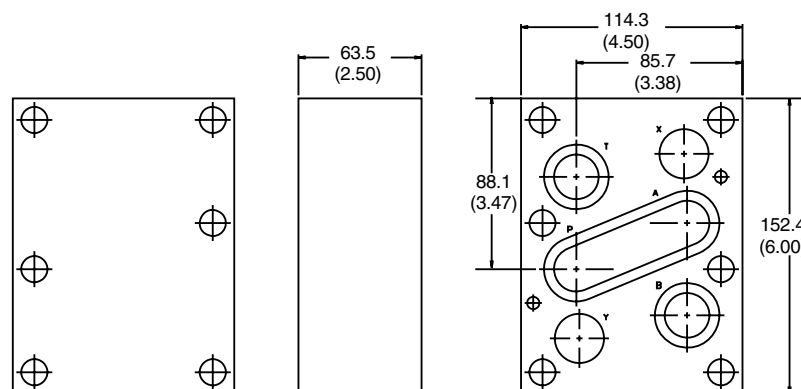
**Note:**

Mounting hardware supplied with cover plate.

Includes:

- 2-210V-7 O-ring, Qty. 2
- 2-215V-7 O-ring, Qty. 4
- 0.50-13 UNC x 1.75 long SHCS, Qty. 6 (SPD6C1EN) or M12-1.75 x 45 mm long SHCS, Qty. 6 (SPD6C1MN)
- 0.25 x 0.50 long locating pins, Qty. 2

**Crossover Plate, P→A and B→T ports — NFPA D08**



**Note:**

Mounting hardware supplied with crossover plate.

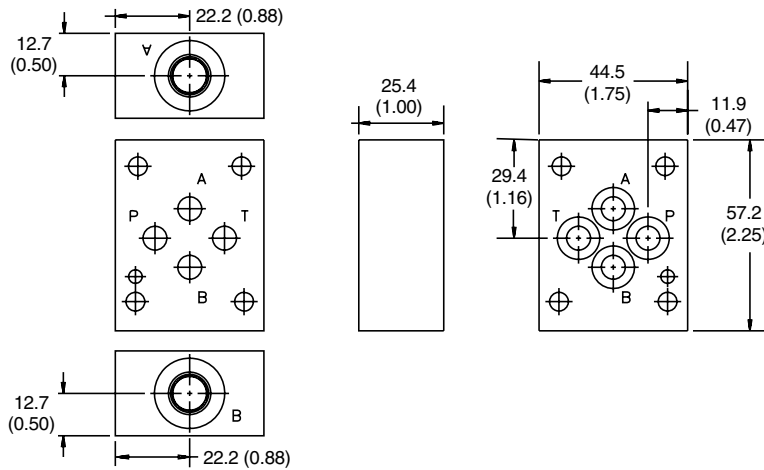
Includes:

- 2-210V-7 O-ring, Qty. 2
- 2-215V-7 O-ring, Qty. 2
- 2-231V-7 O-ring, Qty. 1
- 0.50-13 UNC x 3.50 long SHCS, Qty. 6 (SPD6A1EN) or M12-1.75 x 90 mm long SHCS, Qty. 6 (SPD6A1MN)
- 0.25 x 0.50 long locating pins, Qty. 2

**Dimensions**

Inch equivalents for millimeter dimensions are shown in (\*\*)

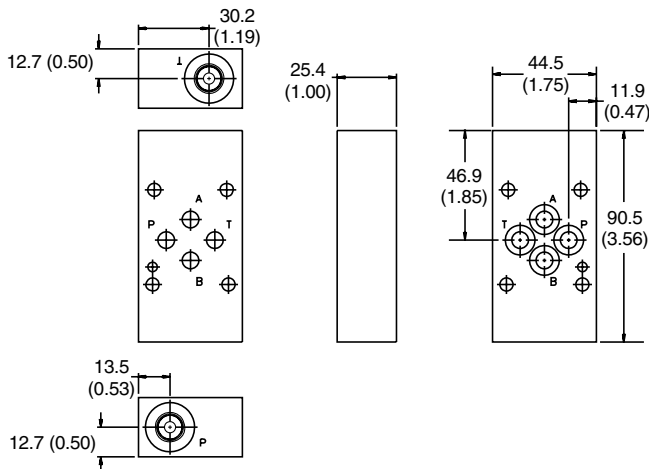
**Tapping Plate, A and B ports — NFPA D03**



**Note:**  
 Interface seal kit provided with tapping plate.  
 Includes:  
 2-012V-7 O-ring, Qty. 4  
 Ø0.12 x .25 long locating pin, Qty. 1  
 0.25-18 NPTF LSPP Plug, Qty. 1 (NPTF port only)  
 -4 SAE Hex Socket Plug, Qty., 1 (SAE port only)

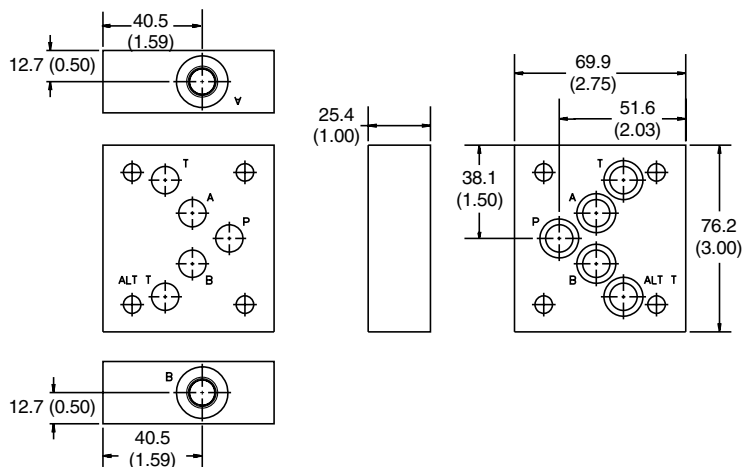


**Tapping Plate, P and T ports — NFPA D03**



**Note:**  
 Interface seal kit provided with tapping plate.  
 Includes:  
 2-012V-7 O-ring, Qty. 4  
 Ø0.12 x .25 long locating pin, Qty. 1  
 0.25-18 NPTF LSPP Plug, Qty. 1 (NPTF port only)  
 -4 SAE Hex Socket Plug, Qty., 1 (SAE port only)

**Tapping Plate, A and B ports — NFPA D05**

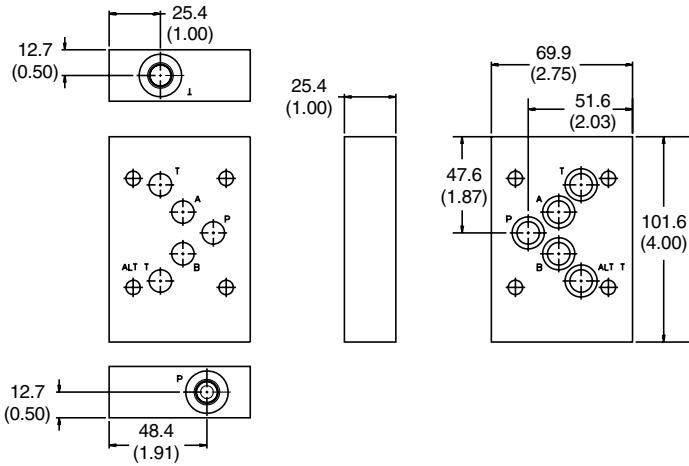


**Note:**  
 Interface seal kit provided with tapping plate.  
 Includes:  
 2-014V-7 O-ring, Qty. 5  
 0.25-18 NPTF LSPP Plug, Qty. 1 (NPTF port only)  
 -4 SAE Hex Socket Plug, Qty., 1 (SAE port only)

**Dimensions**

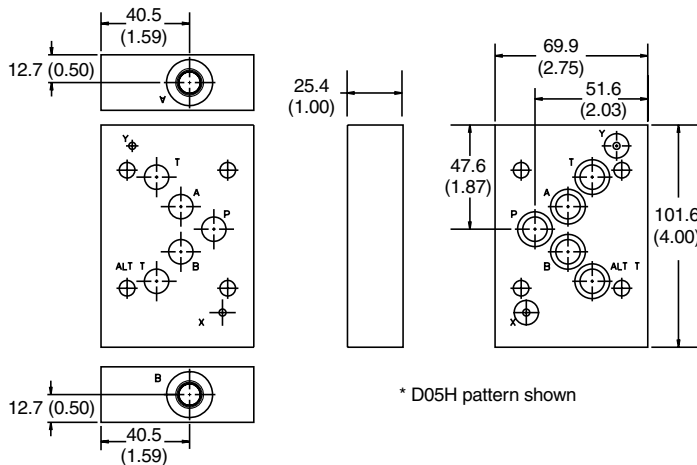
Inch equivalents for millimeter dimensions are shown in (\*\*)

**Tapping Plate, P and T ports — NFPA D05**



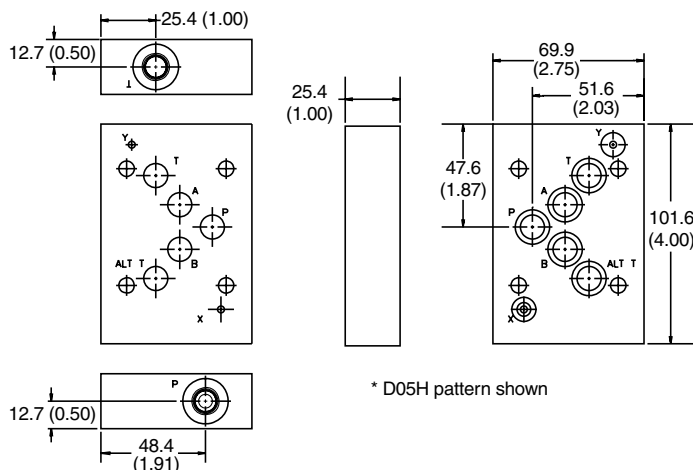
**Note:**  
 Interface seal kit provided with tapping plate.  
 Includes:  
 2-014V-7 O-ring, Qty. 5  
 0.25-18 NPTF LSPP Plug, Qty. 1 (NPTF port only)  
 -4 SAE Hex Socket Plug, Qty., 1 (SAE port only)

**Tapping Plate, A and B ports — NFPA D05H and D05HE (E)**



**Note:**  
 Interface seal kit provided with tapping plate.  
 Includes:  
 SPD31VT2\*W\* :  
 2-011V-7 O-ring, Qty. 2  
 2-014V-7 O-ring, Qty. 5  
 SPD31DT2\*W\*:  
 2-014V-7 O-ring, Qty. 7  
 0.25-18 NPTF LSPP Plug, Qty. 1 (NPTF port only)  
 -4 SAE Hex Socket Plug, Qty., 1 (SAE port only)

**Tapping Plate, P and T ports — NFPA D05H and D05HE**

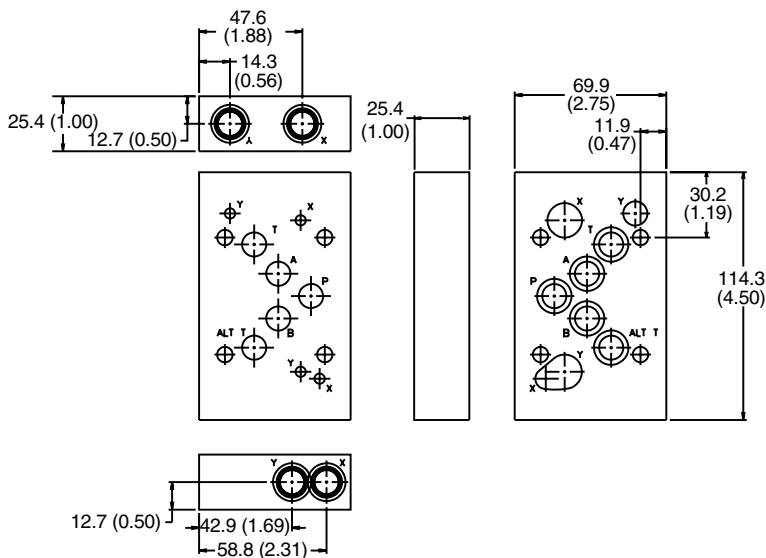


**Note:**  
 Interface seal kit provided with tapping plate.  
 Includes:  
 SPD31VT2\*P\*:  
 2-011V-7 O-ring, Qty. 2  
 2-014V-7 O-ring, Qty. 5  
 SPD31DT2\*P\*:  
 2-014V-7 O-ring, Qty. 7  
 0.25-18 NPTF LSPP Plug, Qty. 1 (NPTF port only)  
 -4 SAE Hex Socket Plug, Qty., 1 (SAE port only)

**Dimensions**

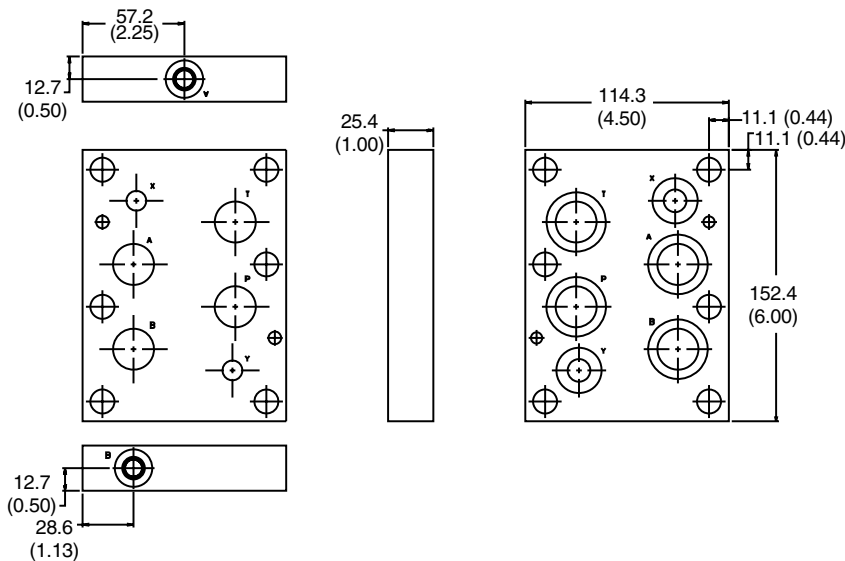
Inch equivalents for millimeter dimensions are shown in (\*\*)

**Tapping Plate, X and Y ports — NFPA D05H and D05HE**



**Note:**  
 Interface seal kit provided with tapping plate.  
 Includes:  
 2-011V-7 O-ring, Qty. 1  
 2-014V-7 O-ring, Qty. 6  
 2-016V-7 O-ring, Qty. 1  
 0.25-18 NPTF LSPP Plug, Qty. 3 (NPTF port only)  
 -4 SAE Hex Socket Plug, Qty. 3 (SAE port only)

**Tapping Plate, A and B ports — NFPA D08**

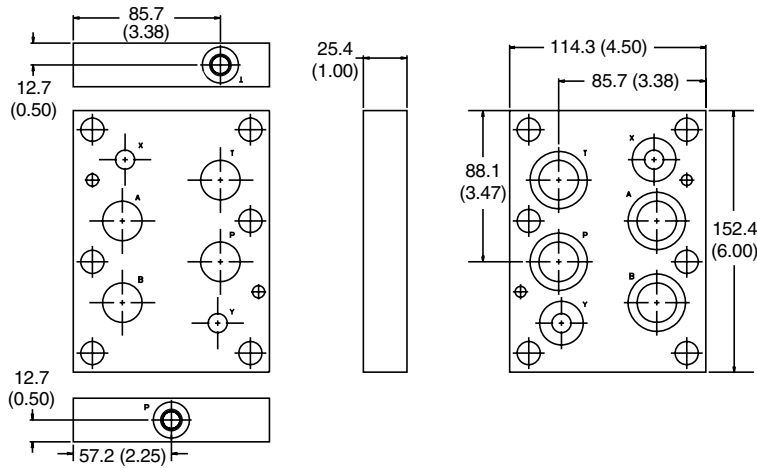
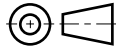


**Note:**  
 Interface seal kit provided with tapping plate.  
 Includes:  
 2-210V-7 O-ring, Qty. 2  
 2-215V-7 O-ring, Qty. 4  
 Ø.25 x .50 long locating pin, Qty. 2  
 0.25-18 NPTF LSPP Plug, Qty. 1 (NPTF port only)  
 -4 SAE Hex Socket Plug, Qty. 1 (SAE port only)

**Dimensions**

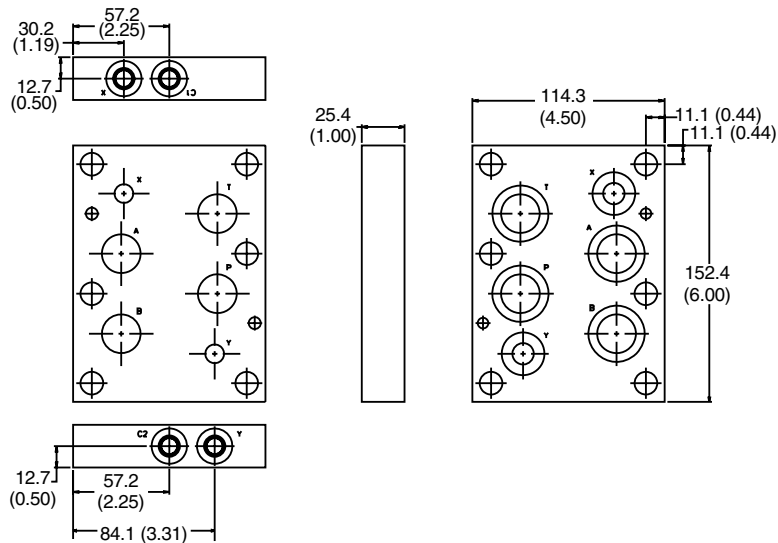
Inch equivalents for millimeter dimensions are shown in (\*\*)

**Tapping Plate, P and T ports — NFPA D08**



**Note:**  
 Interface seal kit provided with tapping plate.  
 Includes:  
 2-210V-7 O-ring, Qty. 2  
 2-215V-7 O-ring, Qty. 4  
 Ø.25 x .50 long locating pin, Qty. 2  
 0.25-18 NPTF LSPP Plug, Qty. 1 (NPTF port only)  
 -4 SAE Hex Socket Plug, Qty. 1 (SAE port only)

**Tapping Plate, X and Y ports — NFPA D08**



**Note:**  
 Interface seal kit provided with tapping plate.  
 Includes:  
 2-210V-7 O-ring, Qty. 2  
 2-215V-7 O-ring, Qty. 4  
 Ø.25 x .50 long locating pin, Qty. 2  
 0.25-18 NPTF LSPP Plug, Qty. 3 (NPTF port only)  
 -4 SAE Hex Socket Plug, Qty. 3 (SAE port only)

**Ordering Information**  
**Series D1V Tapping and Cover Plates**

**SP**  
 Subplate/  
 Manifold

**D2**  
 Valve  
 Model

**□**  
 Circuit

**□**  
 Port Size and  
 Thread Type

**□**  
 Port Location

**□**  
 Material

**35**  
 Design  
 Series  
 Required  
 when ordering.

Code	Description
D2	NFPA D03, NG6, CETOP3

Code	Description
A	Crossover plate P to A, B to T
C	Cover plate
D	Crossover plate P to T, A and B blocked
T	Tapping plate

Code	Description
Omit	Aluminum, 210 Bar (3000 PSI)
S	Ductile Iron, 345 Bar (5000 PSI)

Code	Description
N	Cover Plate
*P	P and T Ports
*W	A and B Ports

\* Tapping plates only

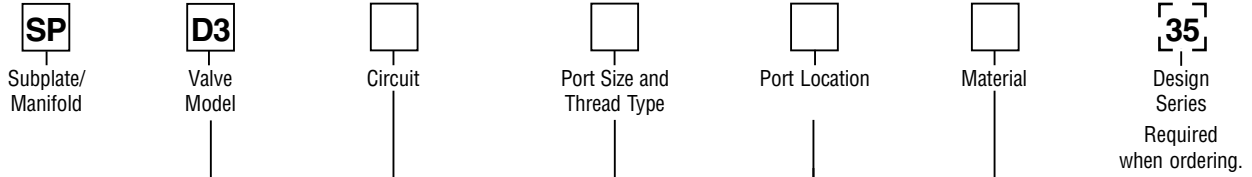
Code	Description
*2N	0.25-18 NPTF ANSI B1.20.3
*2S	-4 SAE ISO 11926; SAE 1926
*2B	0.25-19 BSPP ISO 1179; BS 2779
*2M	M10 x 1.0 ISO 6149
*2T	0.25-19 BSPT ISO 7; BS 21
**1M	Metric Mounting Bolts (M5-0.8 x 25mm long)
**1E	English Mounting Bolts (UNC 10-24 x 1.00 long)

\* Tapping plate only

\*\* Cover and crossover plate only



**Ordering Information**  
**Series D3 Tapping and Cover Plates**



Code	Description
D3	NFPA D05, NG10, CETOP5

Code	Description
A	Crossover plate P to A, B to T
C	Cover plate
D	Crossover plate P to T, A and B blocked
T	Tapping plate

Code	Description
Omit	Aluminum, 210 Bar (3000 PSI)
S	Ductile Iron, 345 Bar (5000 PSI)

Code	Description
N	Cover Plate
*P	P and T Ports
*W	A and B Ports

\* Tapping plates only

Code	Description
*2N	0.25-18 NPTF ANSI B1.20.3
*2S	-4 SAE ISO 11926; SAE 1926
*2B	0.25-19 BSPP ISO 1179; BS 2779
*2M	M10 x 1.0 ISO 6149
*2T	0.25-19 BSPT ISO 7; BS 21
**1M	Metric Mounting Bolts (M6-1.0 x 30mm lg. SHCS Circuits 'C' and 'D' only) (M6-1.0 x 50mm lg. SHCS Circuit 'A' Only)
**1E	English Mounting Bolts (UNC .25-20 x 1.25 lg. SHCS Circuits 'C' and 'D' only) (UNC .25-20 x 2.00 lg. SHCS Circuit 'A' Only)

\* Tapping plate only

\*\* Cover and crossover plate only

Ordering Information

Series D31 Tapping and Cover Plates

**SP**

Subplate/  
Manifold

Valve  
Model

Circuit

Port Size and  
Thread Type

Port Location

Material

**35**

Design  
Series

Required  
when ordering.

Code	Description
D31V	NFPA D05H, D3P
D31D*	NFPA D05HE, NG10, CETOP5H

\* Only available with tapping plates. Model D31V cover and crossover plates can be used for D05H and D05HE mounting patterns interchangeably.

Code	Description
Omit	Aluminum, 210 Bar (3000 PSI)
S	Ductile Iron, 345 Bar (5000 PSI)

Code	Description
A	Crossover plate P to A, B to T
C	Cover plate
D	Crossover plate P to T, A and B blocked
T	Tapping plate

Code	Description
N	Cover Plate
*P	P and T Ports
*W	A and B Ports
*X	X and Y Ports

\* Tapping plates only

Code	Description
*2N	0.25-18 NPTF ANSI B1.20.3
*2S	-4 SAE ISO 11926; SAE 1926
*2B	0.25-19 BSPP ISO 1179; BS 2779
*2M	M10 x 1.0 ISO 6149
*2T	0.25-19 BSPT ISO 7; BS 21
**1M	Metric Mounting Bolts (M6-1.0 x 30mm lg. SHCS Circuits 'C' and 'D' only) (M6-1.0 x 50mm lg. SHCS Circuit 'A' Only)
**1E	English Mounting Bolts (UNC .25-20 x 1.25 lg. SHCS Circuits 'C' and 'D' only) (UNC .25-20 x 2.00 lg. SHCS Circuit 'A' Only)

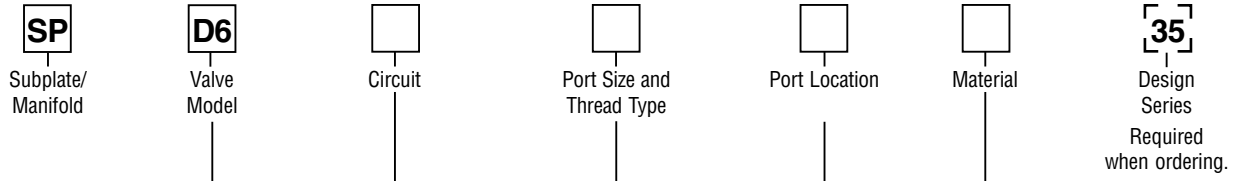
\* Tapping plate only

\*\* Cover and crossover plate only





**Ordering Information**  
**Series D6 and D8 Tapping and Cover Plates**



Code	Description
D6	NFPA D08, NG25, CETOP8

Code	Description
A	Crossover plate P to A, B to T
C	Cover plate
D	Crossover plate P to T, A and B blocked
T	Tapping plate

Code	Description
Omit	Aluminum, 210 Bar (3000 PSI)
S	Ductile Iron, 345 Bar (5000 PSI)

Code	Description
N	Cover Plate
*P	P and T Ports
*W	A and B Ports
*X	X and Y Ports

\* Tapping plates only

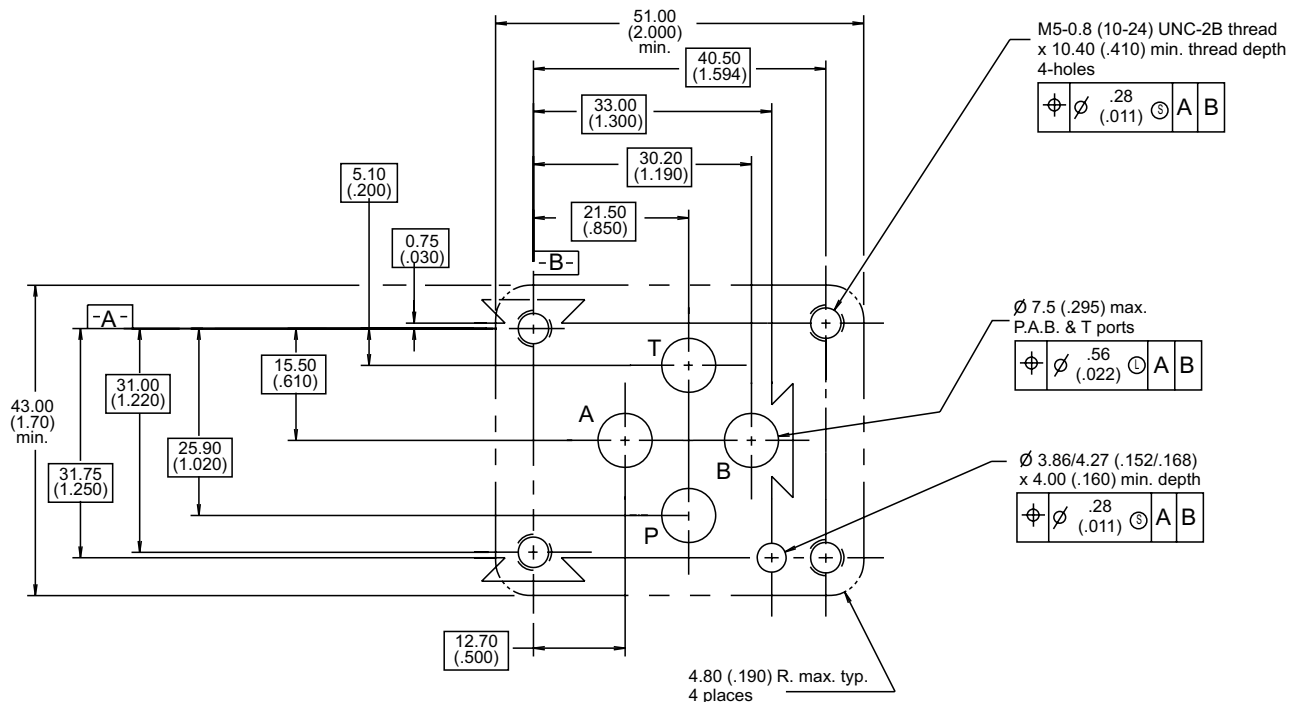
Code	Description
*2N	0.25-18 NPTF ANSI B1.20.3
*2S	-4 SAE ISO 11926; SAE 1926
*2B	0.25-19 BSPP ISO 1179; BS 2779
*2M	M10 x 1.0 ISO 6149
*2T	0.25-19 BSPT ISO 7; BS 21
**1M	Metric Mounting Bolts (M12-1.75 x 45mm lg. SHCS Circuit 'C' only) (M12-1.75 x 60mm lg. SHCS Circuit 'D' only) (M12-1.75 x 90mm lg. SHCS Circuit 'A' only)
**1E	English Mounting Bolts (UNC .50-13 x 1.75 lg. SHCS Circuit 'C' only) (UNC .50-13 x 2.25 lg. SHCS Circuit 'D' only) (UNC .50-13 x 3.50 lg. SHCS Circuit 'A' only)

\* Tapping plate only  
 \*\* Cover and crossover plate only



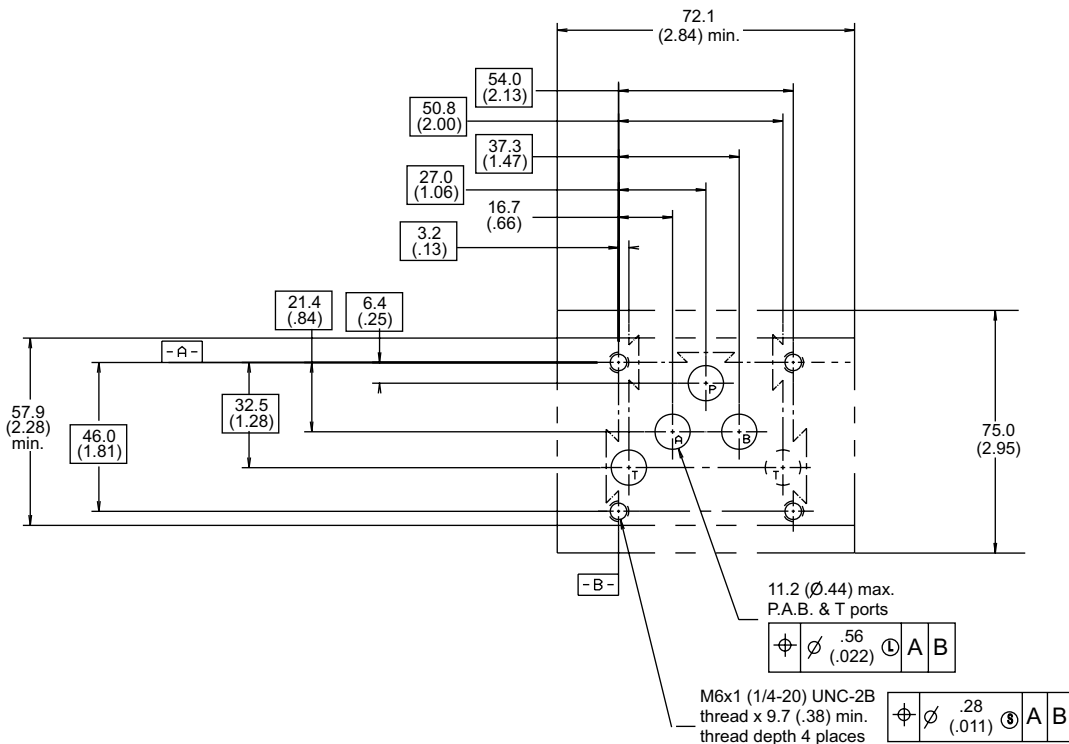
**Mounting Pattern — NFPA D03, NG 6, CETOP 3**

Inch equivalents for millimeter dimensions are shown in (\*\*)



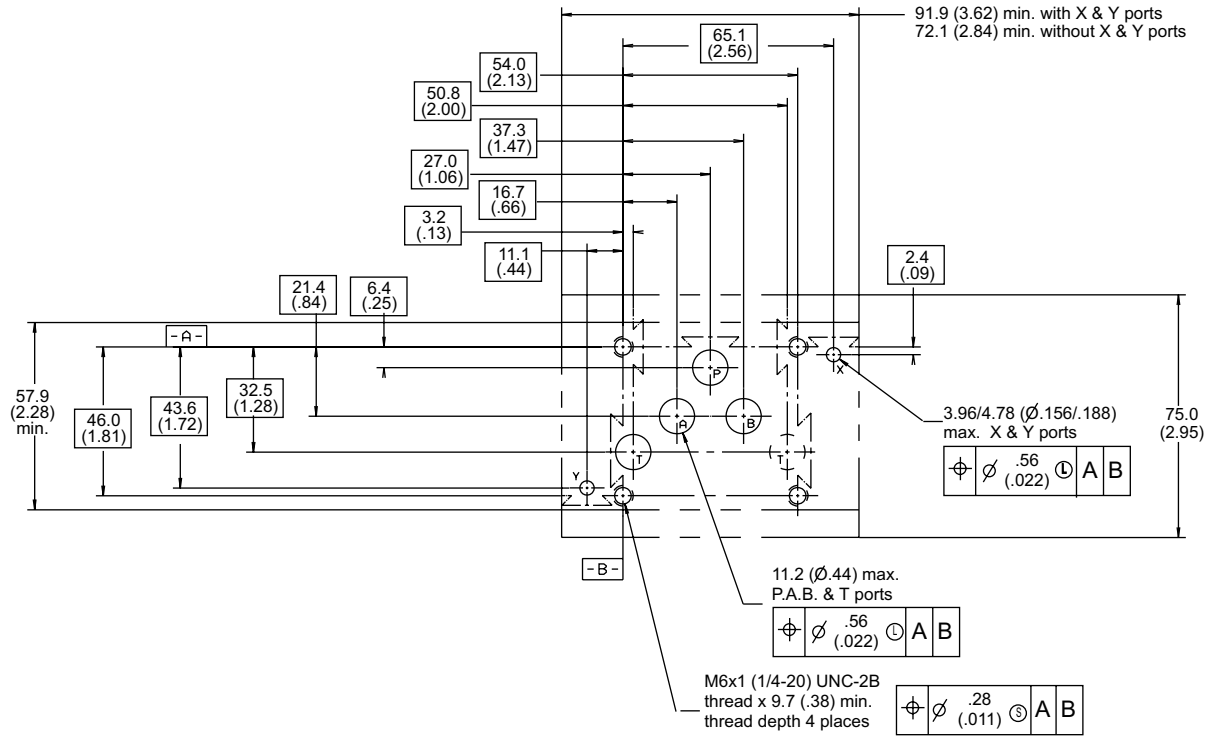
**Mounting Pattern — NFPA D05, NG 5, CETOP 5**

Inch equivalents for millimeter dimensions are shown in (\*\*)



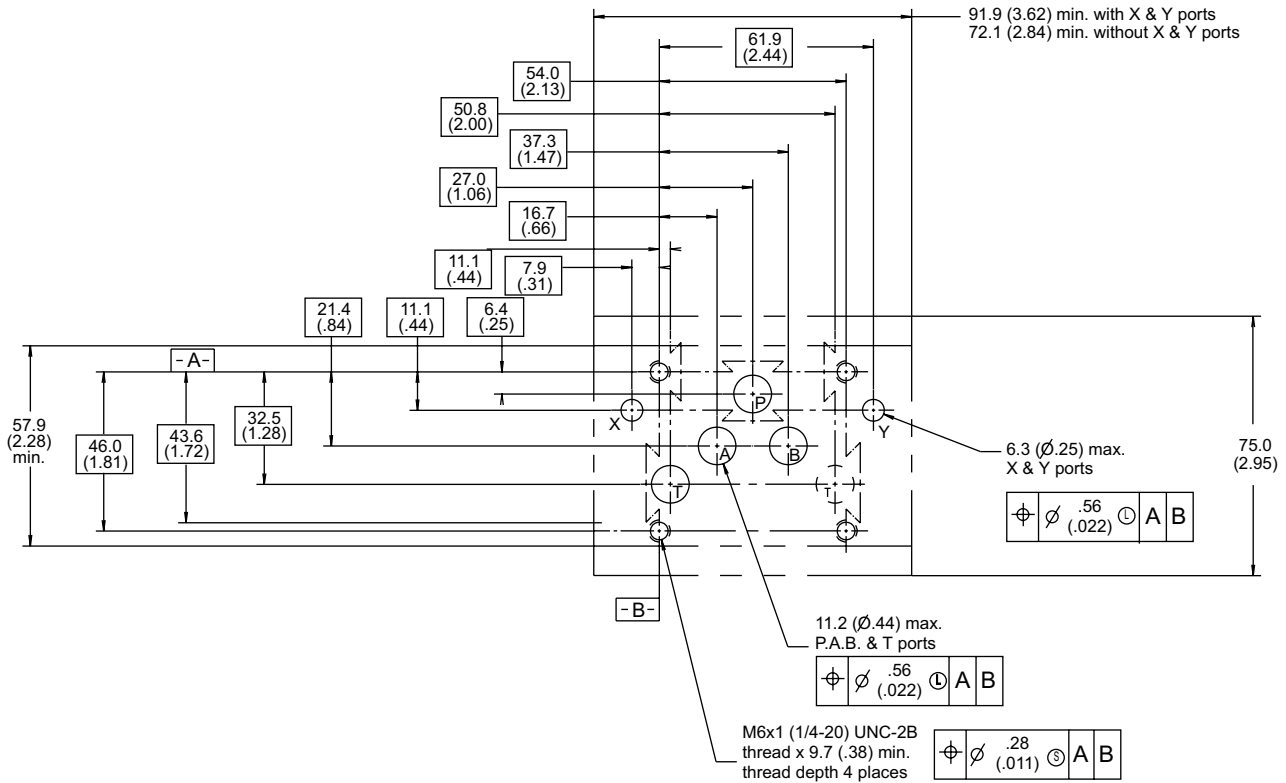
**Mounting Pattern — NFPA D05H, NG 10, CETOP 5H**

Inch equivalents for millimeter dimensions are shown in (\*\*)



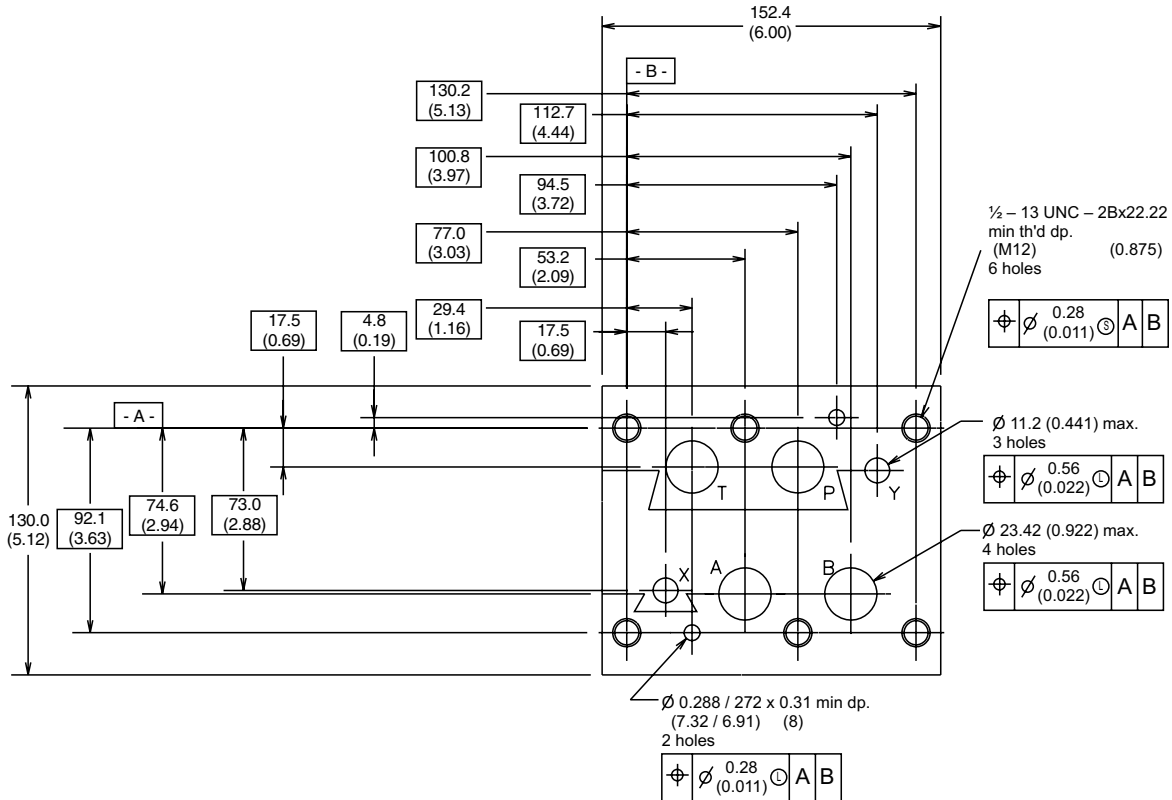
**Mounting Pattern — NFPA D05HE, NG 10, CETOP 5H**

Inch equivalents for millimeter dimensions are shown in (\*\*)



**Mounting Pattern — NFPA D08, NG 25, CETOP 8**

Inch equivalents for millimeter dimensions are shown in (\*\*)



**Contents**

---

**Manifold Mounted Lo-Torq Directional Control Valves**

Series 8000E ..... Manual Selector, 2, 3 and 4-Way ..... D2 - D3

Series 8100E ..... Manual Selector, 2, 3 and 4-Way ..... D4 - D5

Series 8000C, 8100C ..... Manual Selector, 2 and 4-Way ..... D6 - D7

Series 8400E ..... Mini Selector, 2, 3 and 4-Way ..... D8 - D9

Series 8500 ..... Manual Selector, 2, 3 and 4-Way ..... D10 - D11

Options ..... D12

