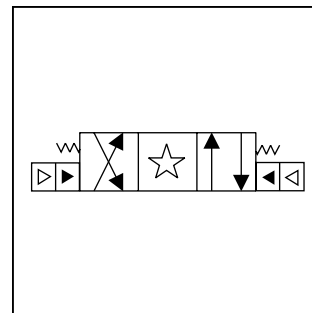
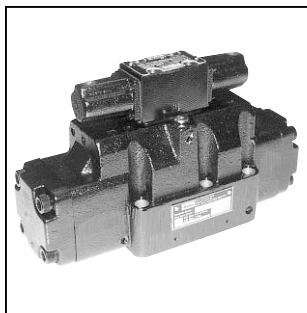


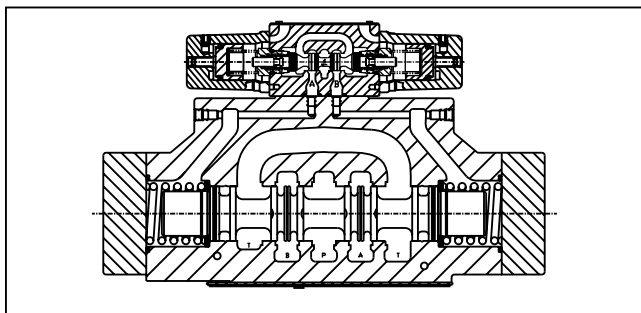
General Description

Series D81VA directional control valves are 5-chamber, air pilot operated valves. They are available in 2 or 3-position styles. These valves are manifold or subplate mounted, and conform to NFPA's D08, CETOP 8 mounting pattern.



Specifications

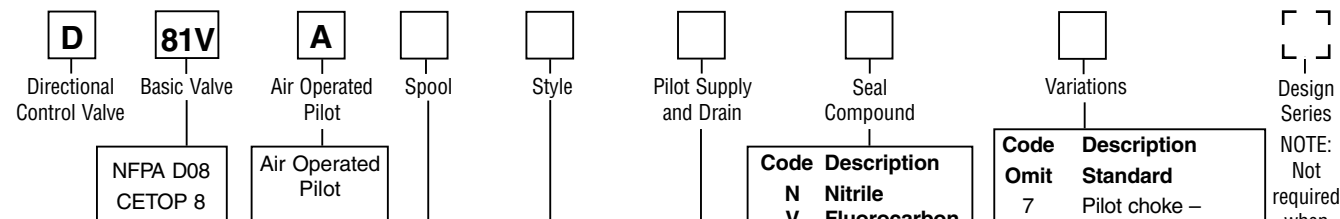
Mounting Pattern	NFPA D08, CETOP 8, NG25
Maximum Operating Pressure	350 Bar (5000 PSI) "T" Port (tank): 34 Bar (500 PSI) With External Drain: 350 Bar (5000 PSI)
Maximum Flow	See Reference Data Charts
Pilot Pressure	Air Min: 3.4 Bar (50 PSI) Air Max: 10.2 Bar (150 PSI)
Max. Drain Pressure	34 Bar (500 PSI)
Response Time	Varies with pilot line size and length, pilot pressure, pilot valve shift time & flow capacity (GPM)



Features

- Low pressure drop design.
- Fast response option available.
- Hardened spools provide long life.

Ordering Information



Code	Symbol	Code	Symbol
1		11	
2		12	
4		20*	
8**		30**	
9**			

* 8 & 20 spool has closed crossover.
 ** 9 & 30 spools have open crossover.

Valve schematic symbols are per NFPA/ANSI standards, providing flow P to A when energizing operator A. Note operators reverse sides for #9 spool. See installation information for details.

Valve Weight: Single Operated
 19.9 kg (43.9 lbs.)

Standard Bolt Kit: BK228

Metric Bolt Kit: BKM228

Code	Description
1	Int. pilot/Ext. drain
2	Ext. pilot/Ext. drain
4#	Int. pilot/Int. drain
5	Ext. pilot/Int. drain

Not available with 2, 8, 9 & 30 spools.

Code	Description
Omit	Standard
7	Pilot choke – meter out
60	Pilot choke – meter in
8	Stroke adj. 'B'
9	Stroke adj. 'A'
89	Stroke Adj. 'A' & 'B'
90	BSP Threads

NOTE: Not required when ordering.

Code	Description	Symbol
B†	Sgl. operator, 2 position, spring offset. P to A and B to T in offset position.	
C	Dbl. operator, 3 position, spring centered.	
D†	Dbl. operator, 2 position, detent.	
E	Sgl. operator, 2 position, spring centered. P to B and A to T when energized.	
H†	Sgl. operator, 2 position, spring offset. P to B and A to T in offset position.	
K	Sgl. operator, 2 position. Spring centered. P to A and B to T when energized.	

This condition varies with spool code.

† Available with 20 & 30 spools only.

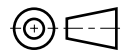
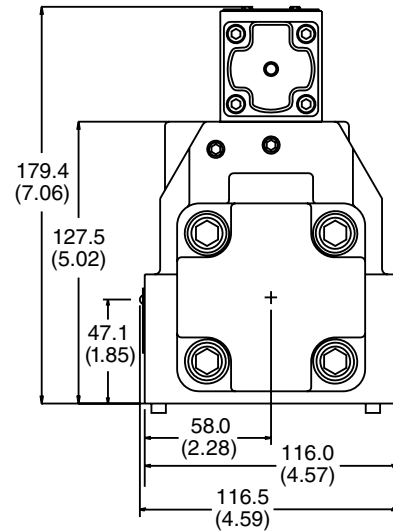
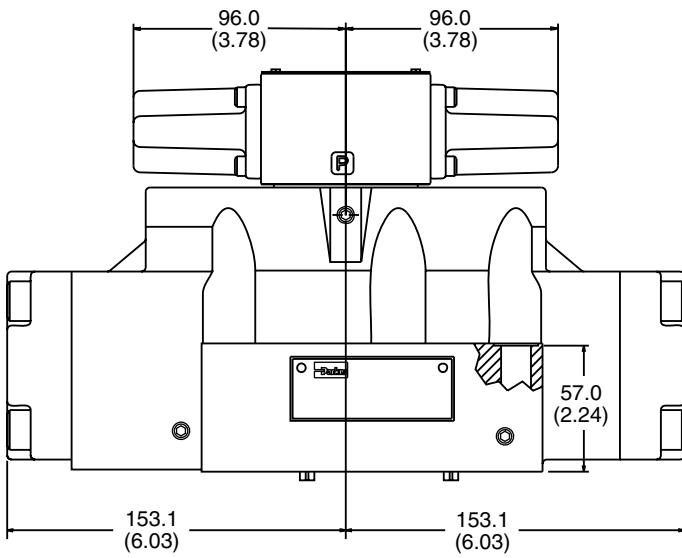
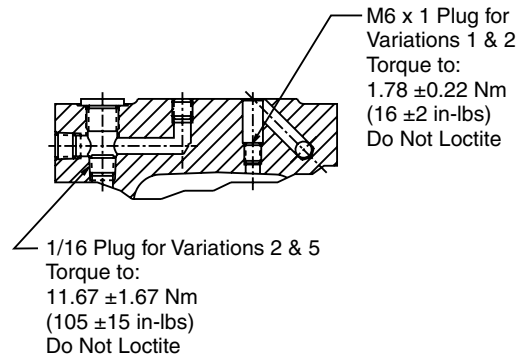
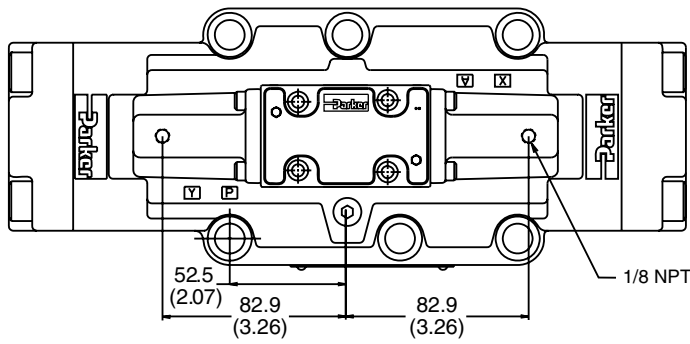
Bold: Designates Tier I products and options.

Non-Bold: Designates Tier II products and options. These products will have longer lead times.

Inch equivalents for millimeter dimensions are shown in (**)

Air Operated

A



Note: 57mm (2.24") from bottom of bolt hole counterbore to bottom of valve.