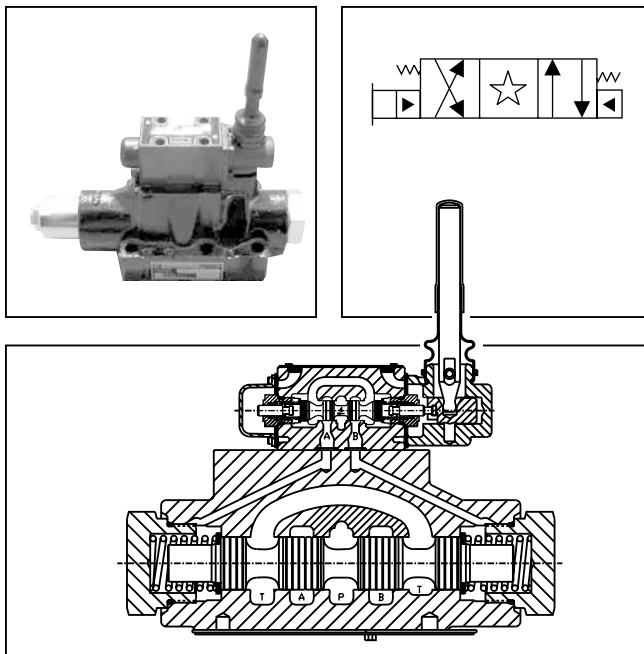


General Description

Series D61VL directional control valves are 5-chamber, lever operated valves. They are available in 2 and 3-position styles. They are manifold or subplate mounted valves, which conform to NFPA's D08, CETOP 8 mounting patterns.

Specifications

Mounting Pattern	NFPA D08, CETOP 8 NG25
Maximum Operating Pressure	207 Bar (3000 PSI) "T" Port (tank): 34 Bar (500 PSI) With External Drain: 207 Bar (3000 PSI)
Maximum Flow	See Reference Data
Pilot Pressure	Oil Min: 6.9 Bar (100 PSI) Oil Max: 207 Bar (3000 PSI)
Maximum Drain Pressure	34 Bar (500 PSI)
Response Time	Varies with pilot line size and length, pilot pressure, pilot valve shift time & flow capacity (GPM)



Features

- Low force required to shift spool.
- Hardened spools provide long life.
- Low pressure drop design.

Ordering Information

D Directional Control Valve	61V Basic Valve	L Lever Operated Pilot	Spool	Style	Pilot Supply and Drain	Seal Compound	Variations	Design Series
	NFPA D08 CETOP8	Lever Operated Pilot						NOTE: Not required when ordering.

Code	Description	Code	Description
1	Int. pilot/Ext. drain	N	Nitrile
2	Ext. pilot/Ext. drain	V	Fluorocarbon
4#	Int. pilot/Int. drain		
5	Ext. pilot/Int. drain		

Not available with 2, 8 & 9 spools.

Code	Description	Code	Description
7	Pilot choke – meter out	Omit	Standard
60	Pilot choke – meter in		
8	Stroke adj. 'B'		
9	Stroke adj. 'A'		
89	Stroke adj. 'A' & 'B'		

Code	Symbol	Code	Symbol
1		8*	
2		9**	
4		11	
		12	

* 8 spool has closed crossover.
 ** 9 spool has open crossover.

Valve schematic symbols are per NFPA/ANSI standards, providing flow P to A when energizing operator A. Note operators reverse sides for #8 and #9 spools. See installation information for details.

Valve Weight: 12.1 kg (26.7 lbs.)
Standard Bolt Kit: BK227
Metric Bolt Kit: BKM227

Code	Description	Symbol
B*	Single operator, 2 position, spring offset. P to A and B to T in offset position.	
C	Double operator, 3 position, spring centered.	
D*	Double operator, 2 position, detent.	
E	Single operator, 2 position, spring centered. P to B and A to T in shifted position.	
H*	Single operator, 2 position, spring offset. P to B and A to T in offset position.	
K	Single operator, 2 position. Spring centered. P to A and B to T in shifted position.	

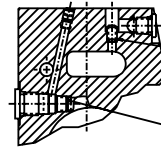
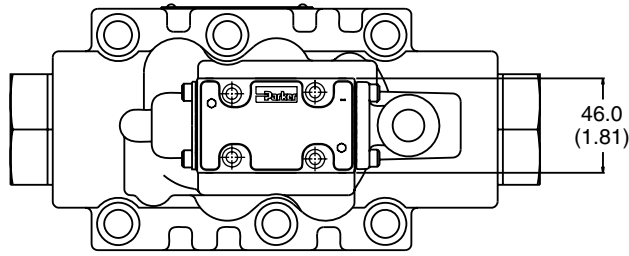
This condition varies with spool code.

*Available with 001, 002, 004, 011, 012.

Bold: Designates Tier I products and options.

Non-Bold: Designates Tier II products and options. These products will have longer lead times.

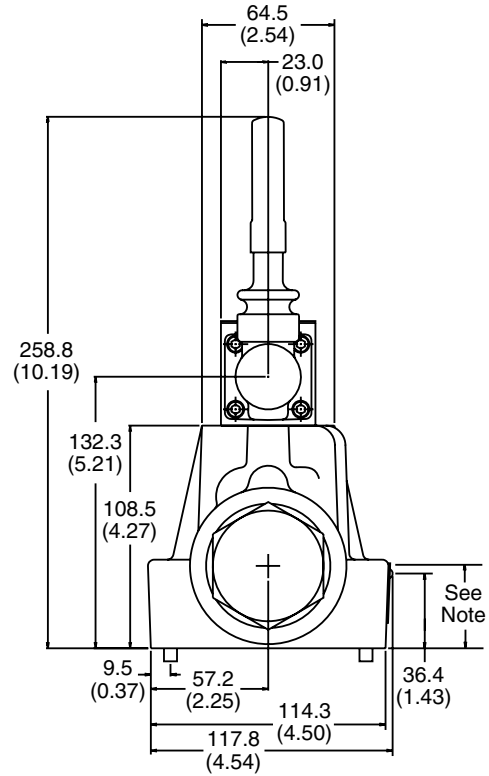
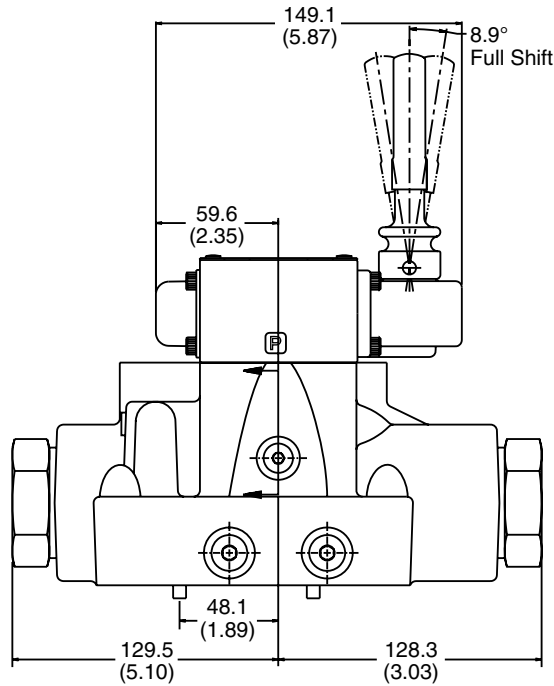
Inch equivalents for millimeter dimensions are shown in (**)



#10-24 Plug location for Variations 1 & 2
External pilot drain

1/16 Pipe plug location for Variations 2 & 5
External pilot supply or internal pilot with back pressure check

SECTION A-A



Note: 41.9mm (1.65") from bottom of bolt counterbore.

