

**General Description**

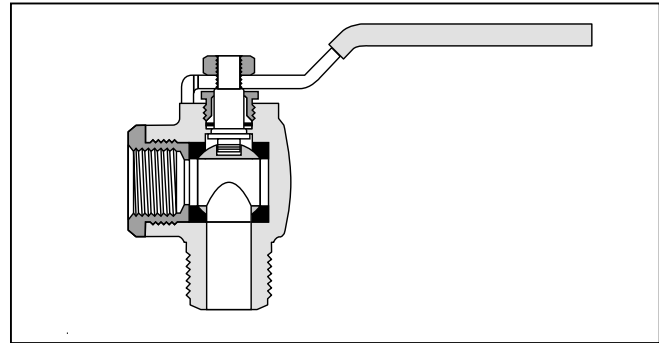
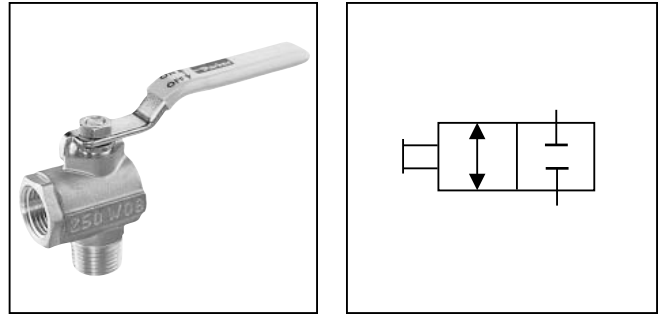
Series 590 low pressure 90° ball valves provide total shut-off capability for services up to 17 Bar (250 PSI).

**Operation**

A quarter turn of the handle is on or off. Ball valves are not intended for use as a throttling valve. Attempting to use it in these applications may result in premature seal failure and/or inability to turn the valve handle.

**Features**

- Ball Valve bodies are machined from high quality CA377 forgings which provide extended service life and resist failure caused by severe temperature conditions.
- Highly inert PTFE seats and seals provide resistance to chemical corrosion.
- Blowout proof stem design, chrome plated brass ball and a special design handle enable increased turn and leverage for ease of opening and closing.



**Specifications**

<b>Working Pressure</b>	17 Bar (250 PSI)
-------------------------	------------------

**Ordering Information**

**V**  
Style

**□**  
Type

**P**  
Material

**□**  
Size

**□ □ □ □**  
Design Series

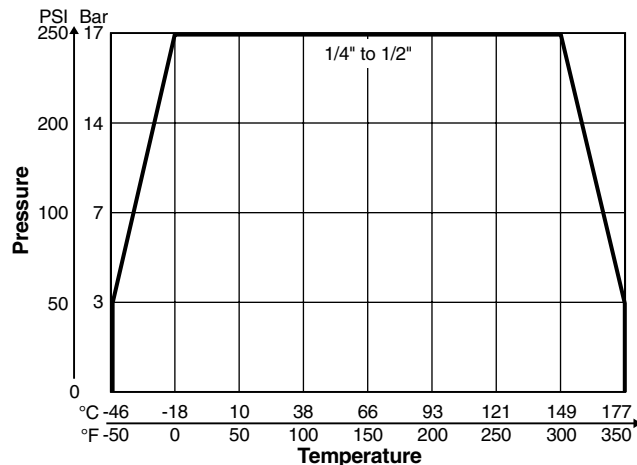
Code	Type
590	90° Male/Female NPT Ports
591	90° Male/Male NPT Ports

Code	Type
P	Brass

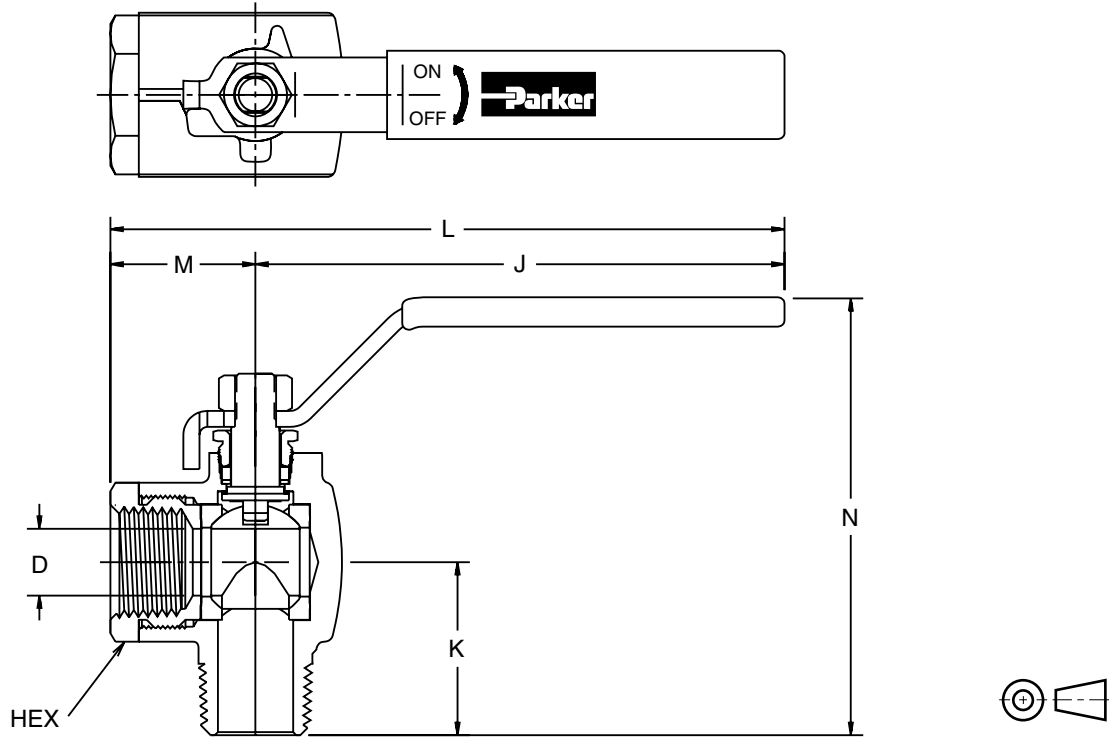
Code	Size
4	1/4" NPT
6	3/8" NPT
8	1/2" NPT

NOTE:  
Not required when ordering.

**Performance Curve**



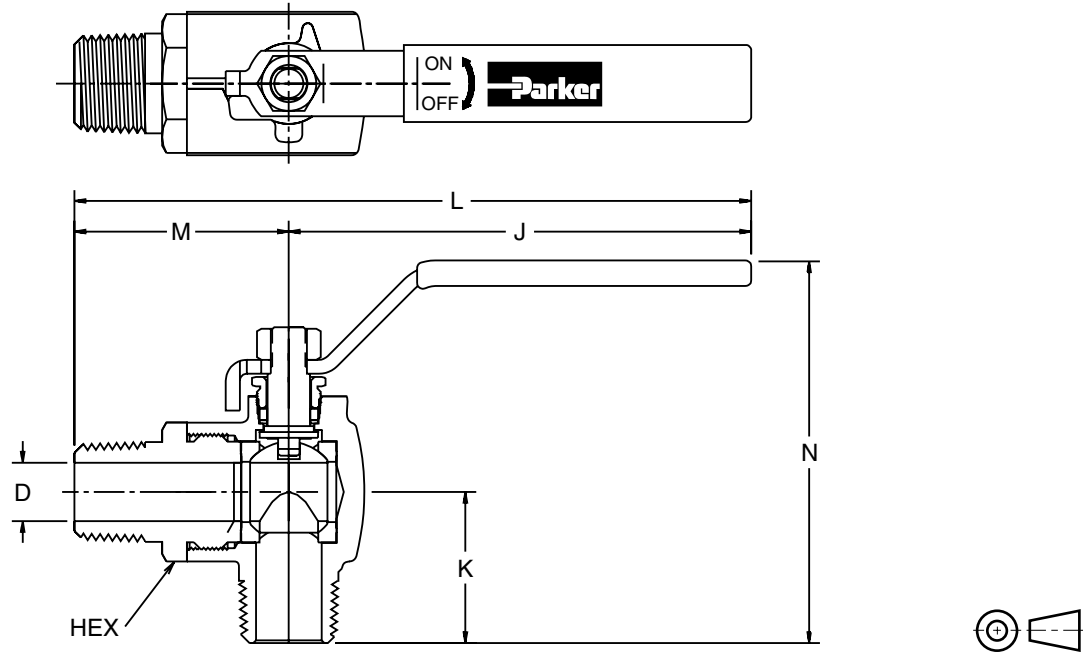
**Model V590P**



Part Number	Pipe Thread	Hex	Dimensions mm (in)					D Flow Ø
			J	K	L	M	N	
<b>Lever Handle, 90° Flow, Male-Female Pipe Ends V590P</b>								
V590P4	1/4"	15/16"	100.6 (3.96)	27.4 (1.08)	126.0 (4.96)	25.4 (1.00)	76.7 (3.02)	9.5 (.375)
V590P6	3/8"	15/16"	100.6 (3.96)	27.7 (1.09)	126.0 (4.96)	25.4 (1.00)	77.0 (3.03)	9.5 (.375)
V590P8	1/2"	1-1/16"	96.5 (3.80)	33.0 (1.30)	128.3 (5.05)	27.7 (1.09)	74.9 (2.95)	12.7 (.500)

**K**

**Model V591P**



Part Number	Pipe Thread (PTF)	B Hex	Dimensions mm (in)					D Flow Ø
			J	K	L	M	N	
<b>Lever Handle, 90° Flow, Male-Male Pipe Ends V591P*</b>								
V591P4	1/4"	15/16"	100.6 (3.96)	27.4 (1.08)	140.2 (5.52)	39.6 (1.56)	76.7 (3.02)	8.7 (.344)
V591P6	3/8"	15/16"	100.6 (3.96)	27.7 (1.09)	140.2 (5.52)	39.6 (1.56)	77.0 (3.03)	9.5 (.375)
V591P8	1/2"	1-1/16"	100.6 (3.96)	33.0 (1.30)	147.3 (5.80)	46.7 (1.84)	83.3 (3.28)	12.7 (.500)



**Contents****Accessories**

Series GF .....	Gage Isolator Valve .....	L2
Series GT .....	Gage Isolator Valve .....	L3
Series 910 .....	Hand Operated Pump .....	L4 - L5
Series PSB .....	Electrohydraulic Pressure Switch .....	L6 - L11
Series 910N .....	Hand Operated Pump .....	L12 - L13
Series 910R .....	Hand Operated Pump .....	L14 - L15
Series 913 .....	Hand Operated Pump .....	L16 - L17
Series 914 .....	Hand Operated Pump .....	L18 - L19
Series 915, 916 .....	Hand Operated Pumps .....	L20 - L21
Series GTS .....	Gage Isolator Valve .....	L22 - L23
Series MFB .....	Flow Control Valve .....	L24 - L25
Reference Data .....		L26 - L31